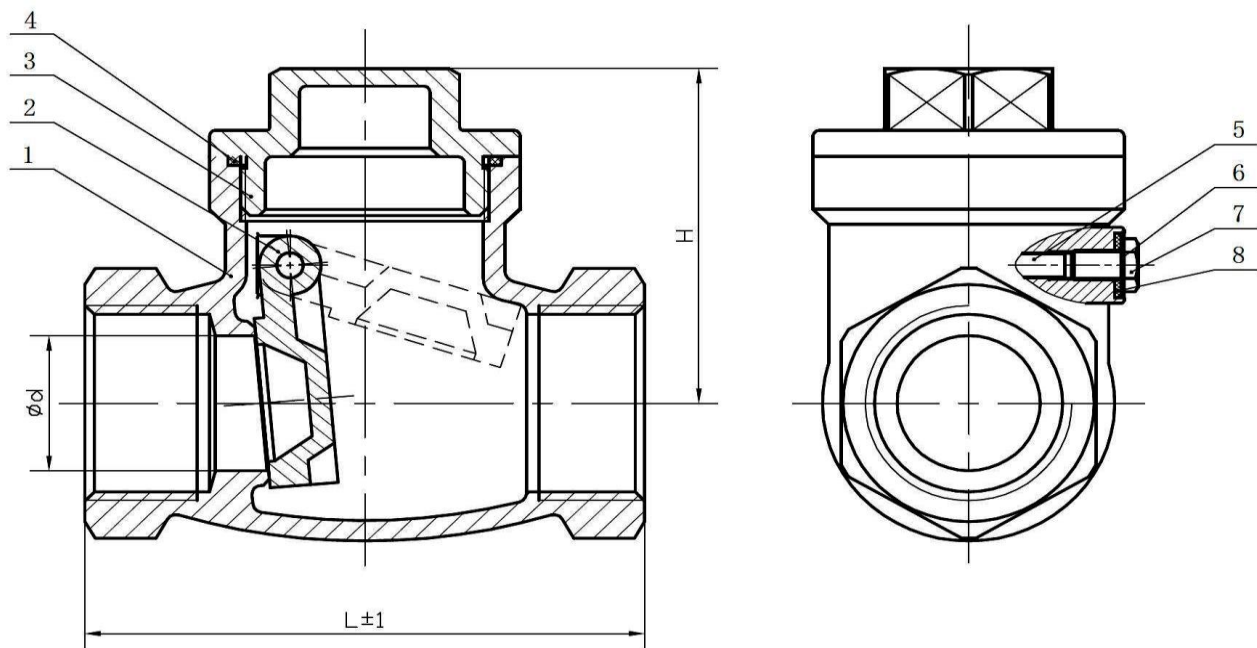


## Stainless Steel Threaded End Swing Check Valves

### Features

- Swing Type
- Material: SS316, CF8M
- Size: 1/4" – 2" (DN8 – DN50)
- Working Pressure: 200 PSI
- Threaded End: BSPT, NPT
- Applicable Medium: General oil, gas & water applications
- Temperature Range: -29°C to 150°C



### Technical Specifications

1. Basic design and manufacture according to ANSI B16.34.
2. Rc, Rp & G threaded ends complies with BS 21/2779, DIN 259/2999, ISO 228-1 AS1722.1/1722.2 are upon request.
3. Inspection and tested according to API598.

Main Technical Parameter			
Normal pressure		200 PSI	
Test pressure	Shell test pressure	2.1	MPa
	Tightness test	1.6	
	Gas-Tightness test	0.6	
Max working temperature		-29°C to 150°C	
Applicable medium: General oil, gas & water			

## Ordering Information

VL - S - SC - N - 200 - 04  
 I II III IV V VI

### I Type of Item

VL Low Pressure Valves

### II Material Grade

S	SS316, CF8M	CI	Cast Iron
FS	Forged Steel	CS	Cast Steel
B	Brass		

### III Item

GA	Gate Valve	B1	1 PC Ball Valve
GL	Globe Valve	B2	2 PC Ball Valve
YS	Y-Strainer	B3	3 PC Ball Valve
SC	Swing Check Valve	BL	3 Way Ball Valve L Port
VC	Vertical Check Valve	BT	3 Way Ball Valve T Port
WC	Wafer Check Valve	BMF	Male x Female Mini Ball Valve
DD	Dual Disk	BU	Butterfly Valve

### IV Connection Type

SW	S/W	G	BSPP
BW	B/W	N	NPT
R	BSPT	F	Flange End
W	Wafer	L	Lug

### V Pressure

200	200 PSI	2000	2000 PSI
300	300 PSI	150	ANSI 150# Flange Standard
600	600 PSI	10K	JIS 10K Flange Standard
800	800 PSI	PN16	PN 16 Flange Standard
1000	1000 PSI		

### For Inch OD & Inch NB Sizes

#### VI Size

Size	1/8"	1/4"	5/16"	3/8"	1/2"	5/8"	3/4"	1"
Code	02	04	05	06	08	10	12	16
Size	1 1/4"	1 1/2"	2"	2 1/2"	3"	4"	5"	6"
Code	20	24	32	40	48	64	80	96

### VII Coating

(None) No Additional Coating  
 NI Nickel Plating

## Material List

No.	Part Name	Material
1	Body	SS316, CF8M
2	Disc	SS316, CF8M
3	Cap	SS316, CF8M
4	Body Gasket	PTFE
5	Pin	SS304
6	Plain washer	SS304
7	Bolt	SS304
8	Gasket	PTFE

## Dimension List

NPS	Connection	Impa Code	Part No	L	H	d	Weight (Kg)
1/4"	BSPT	-	VL-S-SC-R-200-04	60	36.5	10	0.24
3/8"	BSPT	-	VL-S-SC-R-200-06	60	36.5	10	0.26
1/2"	BSPT	-	VL-S-SC-R-200-08	64	40	15	0.27
3/4"	BSPT	-	VL-S-SC-R-200-12	79	49.5	20	0.45
1"	BSPT	-	VL-S-SC-R-200-16	87	57	23	0.64
1 1/4"	BSPT	-	VL-S-SC-R-200-20	100	61.5	30	0.87
1 1/2"	BSPT	-	VL-S-SC-R-200-24	116	71	38	1.32
2"	BSPT	-	VL-S-SC-R-200-32	136	77	47	1.78
1/4"	NPT	-	VL-S-SC-N-200-04	60	36.5	10	0.24
3/8"	NPT	-	VL-S-SC-N-200-06	60	36.5	10	0.26
1/2"	NPT	-	VL-S-SC-N-200-08	64	40	15	0.27
3/4"	NPT	-	VL-S-SC-N-200-12	79	49.5	20	0.45
1"	NPT	-	VL-S-SC-N-200-16	87	57	23	0.64
1 1/4"	NPT	-	VL-S-SC-N-200-20	100	61.5	30	0.87
1 1/2"	NPT	-	VL-S-SC-N-200-24	116	71	38	1.32
2"	NPT	-	VL-S-SC-N-200-32	136	77	47	1.78

---

**Part Number Reference**

<b>Impa Code</b>	<b>Part No</b>	<b>Description</b>
-	VL-S-SC-R-200-04	1/4"BSPT SS316 SWING CHECK VALVE (200 PSI)
-	VL-S-SC-R-200-06	3/8"BSPT SS316 SWING CHECK VALVE (200 PSI)
-	VL-S-SC-R-200-08	1/2"BSPT SS316 SWING CHECK VALVE (200 PSI)
-	VL-S-SC-R-200-12	3/4"BSPT SS316 SWING CHECK VALVE (200 PSI)
-	VL-S-SC-R-200-16	1"BSPT SS316 SWING CHECK VALVE (200 PSI)
-	VL-S-SC-R-200-20	1 1/4"BSPT SS316 SWING CHECK VALVE (200 PSI)
-	VL-S-SC-R-200-24	1 1/2"BSPT SS316 SWING CHECK VALVE (200 PSI)
-	VL-S-SC-R-200-32	2"BSPT SS316 SWING CHECK VALVE (200 PSI)
-	VL-S-SC-N-200-04	1/4"NPT SS316 SWING CHECK VALVE (200 PSI)
-	VL-S-SC-N-200-06	3/8"NPT SS316 SWING CHECK VALVE (200 PSI)
-	VL-S-SC-N-200-08	1/2"NPT SS316 SWING CHECK VALVE (200 PSI)
-	VL-S-SC-N-200-12	3/4"NPT SS316 SWING CHECK VALVE (200 PSI)
-	VL-S-SC-N-200-16	1"NPT SS316 SWING CHECK VALVE (200 PSI)
-	VL-S-SC-N-200-20	1 1/4"NPT SS316 SWING CHECK VALVE (200 PSI)
-	VL-S-SC-N-200-24	1 1/2"NPT SS316 SWING CHECK VALVE (200 PSI)
-	VL-S-SC-N-200-32	2"NPT SS316 SWING CHECK VALVE (200 PSI)