

## FEATURES

- Quick connection and disconnection
- Large range to comply food norms
- Silicon free
- Operating temperature range is from - 15 °C to + 190 °C

# RS PRO ORIENTING TEE MALE ADAPTOR (PARALLEL) CENTRE LEG - FOOD GRADE

RS Stock No.: 2312767



RS PROfessionally Approved Products bring to you professional quality parts across all product categories. Our product range has been tested by engineers and provides a comparable quality to the leading brands without paying a premium price.

## Product Description

The RS PRO orienting tee male adaptor (parallel) centre leg works in - 0.99 bar to 20 bar pressure range. It is mainly used in dairy, coffee machine, vending, food & beverage, medical, vacuum applications.

It is available in brass with Food Grade coating. In combination with FEP tubes, it is the most demanded solution for the Food & Beverage market. Because of the special coating it can be used also in aggressive environment.

RoHS and REACH compliant.

## General Specifications

<b>Material</b>	Nickel Plated Brass
<b>Applications</b>	Lubrication System, Cooling System, Pneumatic Machinery Equipment

## Mechanical Specifications

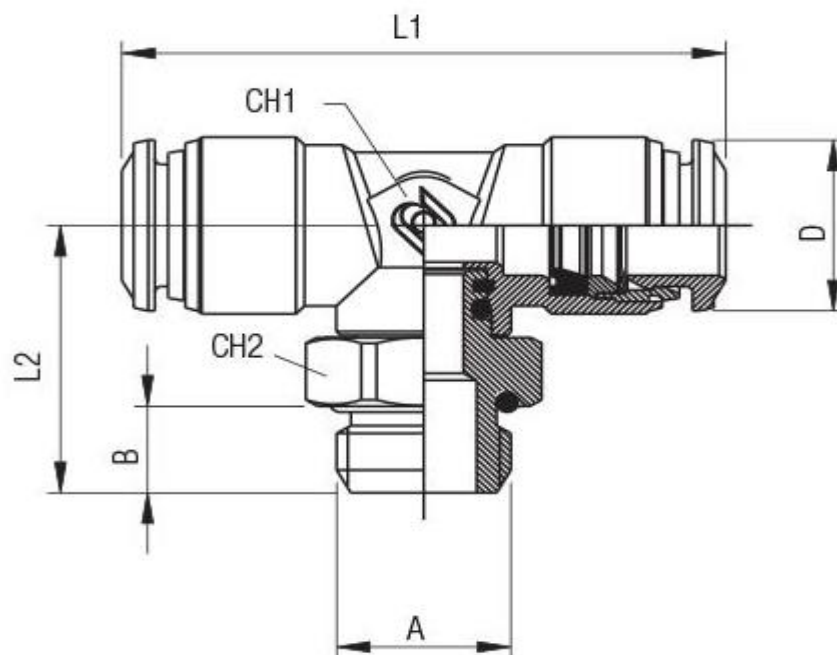
<b>Connection Type</b>	Threaded, Tube
<b>Tube Connection Size</b>	4mm
<b>Coupling Gender</b>	Male
<b>Threaded Connection</b>	1/8 in Male
<b>Thread Size</b>	1/8in
<b>Hose Barb Connection</b>	4mm
<b>Mounting Hole Diameter</b>	12.5mm
<b>Wrench Size1</b>	9
<b>Wrench Size2</b>	13
<b>Length L1</b>	34mm
<b>Length L2</b>	17.1mm

## Operation Environment Specifications

Minimum Operating Temperature	-15°C
Maximum Operating Temperature	190°C

## Similar Products

Parameters	2312769	2312770
Brand	RS PRO	RS PRO
Thread Size	1/4in	1/8in
Wrench Size1	11	13
Wrench Size2	16	13
Length L1	42mm	45mm
Length L2	20mm	22.7mm



Tube	A	B	L1	L2	CH1	CH2	D	Bag
4	1/8	5.4	34	17.1	9	13	10	10