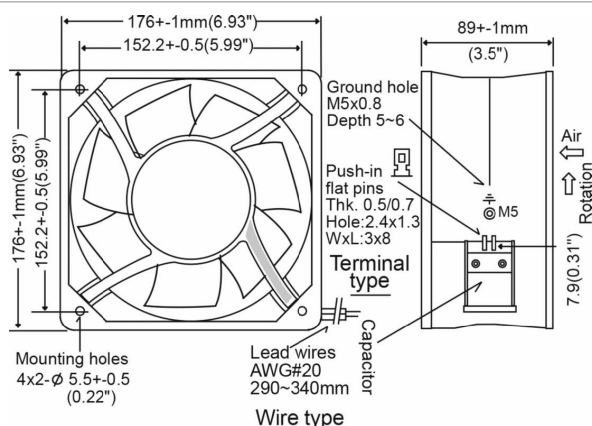


Datasheet

RS PRO AC AXIAL FAN 230VAC 176×89mm METAL

EN



Frame	Diecast Aluminum	<u>Operating Temperature</u>	
Impeller	Metal Alloy	Ball Bearing	
Connection	2x Lead Wires 2x Lead Wires 20 AWG or terminals	-30C ~ +80C (non-condensing)	
Motor	AC Capacitor Inductance, thermally protected	<u>Storage Temp</u>	
Bearing System	Dual ball bearing	-40C ~ +100C	
Insulation Resistance	>100MOhm at 500VDC	<u>Life Expectancy</u>	
Dielectric Strength	1 min at 1500 VAC, 50/60Hz	50,000 hours (L10 at 55C)	
		<u>Environmental Protection</u>	
		IP56	
		Weight: ~ 1.86 kg (4.1 lbs)	
		m0	

Model Number	175-9784	175-9785
Connection	Wire Lead	Terminal
Speed (RPM)	2750	2750
Airflow (CFM)	330	330
Noise Level (dB)	63	63
Volts AC	230	230
Voltage Range	200-240	200-240
Watts	60	60
Max. Static Pressure	0.69" H ₂ O	0.69" H ₂ O
Curves	2 (50Hz)	2 (50Hz)