

## FEATURES

- Can withstand oils, greases and solvents
- Lightweight
- Ability to self-extinguish
- Wear resistant
- Non-conductive

# RS PRO Nylon Dome Nuts

RS Stock No.: 2326935,2326955,2326975,2326990,2327002



RS Professionally Approved Products bring to you professional quality parts across all product categories. Our product range has been tested by engineers and provides a comparable quality to the leading brands without paying a premium price.

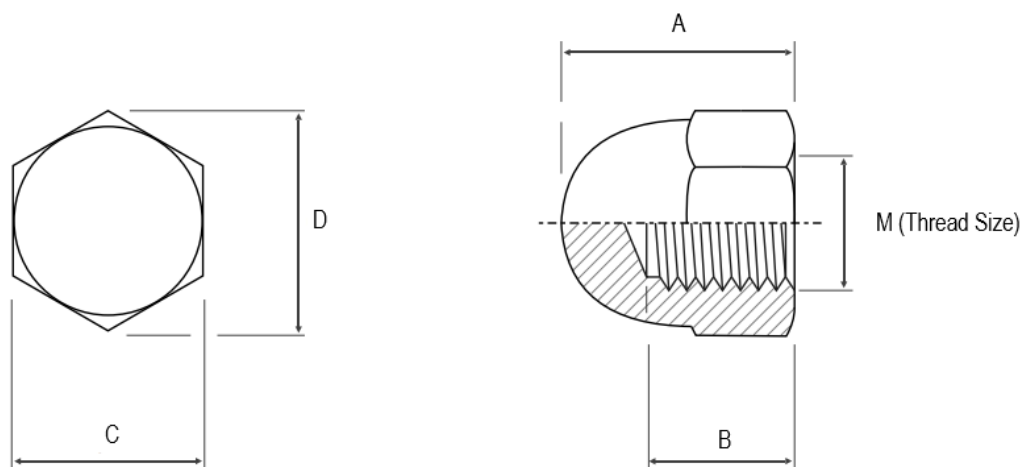
### Product Description

## Dome Nuts

Dome nuts are ideal for applications where it is desired to hide or cover the end of a projecting screw thread. All meet the requirements of DIN 1587 and have metric threads. Ideal for use where good insulation and corrosion resistance is required. Suitable for use in high voltage assemblies.

### Material Specifications

<b>Material</b>	Nylon 6,6
<b>Colour</b>	Natural



### General Specifications

Stock No. [TR Reference]	M (Thread Size)	A (Height)	B (Thread Depth)	C (Across Flats)	D
2326935	M3	6	3.8	5.5	6.1
2326955	M4	8	5.5	7	7.7
2326975	M5	10	7.5	8	8.9
2326990	M6	12	8	10	11.1
2327002	M8	15	11	13	14.4

Dimensions are in millimetres (mm)

### Approvals

<b>Standards Met</b>	DIN 1587
----------------------	----------