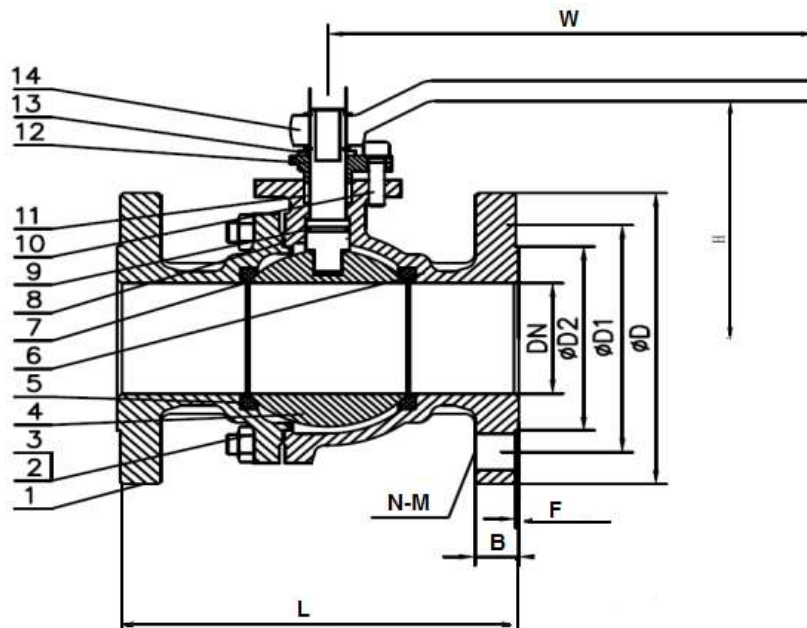


## JIS 10K Stainless Steel 2 Piece Flange Ball Valves

### Features

- Full Bore
- JIS 10K Flange Connection
- Sizes: 1/2" - 6" (DN15 - DN150)
- Working Pressure: 10kgf/cm<sup>2</sup>
- Valve Body Material: Stainless Steel SS316
- Fire-safe Design According to API 607
- Applicable Medium: General Oil, Gas & Water Applications
- Blow-out Proof Stem Design
- Temperature: -29 Deg C to 150 Deg C



### Technical Specifications

1. Basic design and manufacture according to JIS B2071
2. Face-to-face dimensions complied with JIS B2002
3. Flange ends complied with JIS B2220
4. Inspection and tested according to JIS B2003

Main Technical Parameter			
Normal pressure		10K	
Test pressure	Shell test pressure	3.0	MPa
	Tightness test	2.2	
	Gas-tightness test	0.6	
Max working temperature		-29 to 150	°C
Applicable medium: General oil, gas & water			

### Material List

No.	Part Name	Material	No.	Part Name	Material
1	Left Body	SS316, CF8M	8	Gasket	PTFE
2	Stud Bolt	SS304	9	O-Ring	PTFE
3	Nut	SS304	10	Hexagon Screw	SS304
4	Ball	SS316	11	Packing	PTFE
5	Seat	PTFE	12	Bonnet	SS316
6	Body	SS316, CF8M	13	Stop Block	SS304
7	Stem	SS316	14	Handle	SS201

## Ordering Information

VL - S - B2 - F - 10K - 08  
 I II III IV V VI

**I Type of Item**  
 VL Low Pressure Valves

**II Material Grade**  
 S SS316, CF8M CI Cast Iron  
 FS Forged Steel CS Cast Steel  
 B Brass

**III Item**  
 GA Gate Valve B1 1 PC Ball Valve  
 GL Globe Valve B2 2 PC Ball Valve  
 YS Y-Strainer B3 3 PC Ball Valve  
 SC Swing Check Valve BL 3 Way Ball Valve L Port  
 VC Vertical Check Valve BT 3 Way Ball Valve T Port  
 WC Wafer Check Valve BMF Male x Female Mini Ball Valve  
 DD Dual Disk BU Butterfly Valve

**IV Connection Type**  
 SW S/W G BSPP  
 BW B/W N NPT  
 R BSPT F Flange End  
 W Wafer L Lug

**V Pressure**  
 200 200 PSI 2000 2000 PSI  
 300 300 PSI 150 ANSI 150# Flange Standard  
 600 600 PSI 10K JIS 10K Flange Standard  
 800 800 PSI PN16 PN 16 Flange Standard  
 1000 1000 PSI

### For Inch OD & Inch NB Sizes

**VI Size**

Size	1/8"	1/4"	5/16"	3/8"	1/2"	5/8"	3/4"	1"
Code	02	04	05	06	08	10	12	16
Size	1 1/4"	1 1/2"	2"	2 1/2"	3"	4"	5"	6"
Code	20	24	32	40	48	64	80	96

**VII Coating**  
 (None) No Additional Coating  
 NI Nickel Plating

## Dimension List

NPS (DN)	Connection	Impa Code	Part No	D	D1	D2	B	L	H	W	N- M	F	Weight (Kg)
1/2"	Flange End	-	VL-S-B2-F-10K-08	90	70	51	12	108	73	130	4-14	1.6	1.57
3/4"	Flange End	-	VL-S-B2-F-10K-12	100	75	56	14	117	76	130	4-14	1.6	-
1"	Flange End	-	VL-S-B2-F-10K-16	125	90	67	14	127	86	160	4-18	1.6	4.24
1 1/4"	Flange End	-	VL-S-B2-F-10K-20	135	100	76	16	140	91	160	4-18	1.6	3.33
1 1/2"	Flange End	-	VL-S-B2-F-10K-24	140	105	81	16	165	119	200	4-18	1.6	5.22
2"	Flange End	-	VL-S-B2-F-10K-32	155	120	96	16	178	127	200	4-18	1.6	7.86
2 1/2"	Flange End	-	VL-S-B2-F-10K-40	175	140	116	18	190	136	200	8-18	1.6	10.38
3"	Flange End	-	VL-S-B2-F-10K-48	185	150	126	18	203	164	325	8-18	1.6	15.55
4"	Flange End	-	VL-S-B2-F-10K-64	210	175	151	18	229	218	325	8-22	1.6	24.00
5"	Flange End	-	VL-S-B2-F-10K-80	254	215	180	18	355	-	-	8-23	1.6	41.20
6"	Flange End	-	VL-S-B2-F-10K-96	278	244	215	22	390	-	-	8-23	2	59.40

## Part Number Reference

Impa Code	Part No	Description
-	VL-S-B2-F-10K-08	1/2"JIS10K SS316 FLANGE END BALL VALVE WITH ISO MOUNTING PAD, FIRE SAFE DESIGN
-	VL-S-B2-F-10K-12	3/4"JIS10K SS316 FLANGE END BALL VALVE WITH ISO MOUNTING PAD, FIRE SAFE DESIGN
-	VL-S-B2-F-10K-16	1"JIS10K SS316 FLANGE END BALL VALVE WITH ISO MOUNTING PAD, FIRE SAFE DESIGN
-	VL-S-B2-F-10K-20	1 1/4"JIS10K SS316 FLANGE END BALL VALVE WITH ISO MOUNTING PAD, FIRE SAFE DESIGN
-	VL-S-B2-F-10K-24	1 1/2"JIS10K SS316 FLANGE END BALL VALVE WITH ISO MOUNTING PAD, FIRE SAFE DESIGN
-	VL-S-B2-F-10K-32	2"JIS10K SS316 FLANGE END BALL VALVE WITH ISO MOUNTING PAD, FIRE SAFE DESIGN
-	VL-S-B2-F-10K-40	2 1/2"JIS10K SS316 FLANGE END BALL VALVE WITH ISO MOUNTING PAD, FIRE SAFE DESIGN
-	VL-S-B2-F-10K-48	3"JIS10K SS316 FLANGE END BALL VALVE WITH ISO MOUNTING PAD, FIRE SAFE DESIGN
-	VL-S-B2-F-10K-64	4"JIS10K SS316 FLANGE END BALL VALVE WITH ISO MOUNTING PAD, FIRE SAFE DESIGN
-	VL-S-B2-F-10K-80	5"JIS10K SS316 FLANGE END BALL VALVE WITH ISO MOUNTING PAD, FIRE SAFE DESIGN
-	VL-S-B2-F-10K-96	6"JIS10K SS316 FLANGE END BALL VALVE WITH ISO MOUNTING PAD, FIRE SAFE DESIGN