

Pancake Locking Collar

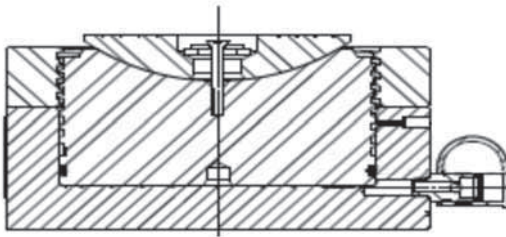
CYLINDER PLC SERIES

67-565 Ton
“Single-Acting,”
Load-Return

Positive mechanical lock to support load. Ideal for confined area applications.

- Compact design - for use where space is limited
- Locking collar designed to support lifted load for extended periods of time with hydraulic pressure released
- Overflow port (“weep hole”) prevents piston from being overextended under load.
- Special coating improves corrosion and abrasion resistance
- Cylinders come standard with hardened caps. Swivel caps reduce the effects of off-center loading and improves performance under side load.
- Equipped with 3/8” NPTF female half couplers

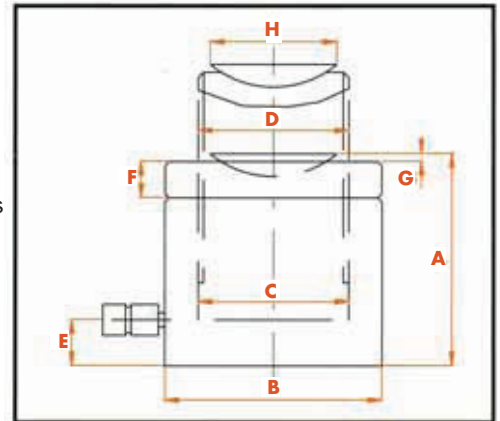
CYLINDERS



Integral Swivel Cap reduces the effects of off center loading.

Tilts up to 5 degrees.

Radial grooves on top of cap reduce load slippage.



Cyl. Cap. (tons)	Stroke (mm)	Order No.	Oil Cap. (cm ³)	A		B	D	F	C	Cylinder Effective Area (cm ²)	Metric Tons at 700 bar	Weight (kg)
				Retracted Ht. (mm)	Extended Ht. (mm)	Outside Dia. (mm)	Piston Rod Dia (mm)	Nut Thickness (mm)	Bore Dia. (mm)			
67	50.8	PLC672	435	125.7	176.5	140.0	104.4	26.7	104.4	85.6	60	15.0
110	50.8	PLC1102	745	137.7	188.5	174.6	136.7	31.1	136.7	146.6	103	26.0
180	50.8	PLC1802	1,176	153.9	204.7	219.6	171.7	41.0	171.7	231.4	163	44.0
220	50.8	PLC2202	1,447	160.6	211.4	244.7	190.5	43.0	190.5	284.9	200	57.0
280	50.8	PLC2802	1,856	164.8	215.6	274.7	215.7	44.5	215.7	365.4	257	75.0
430	45	PLC4302	2,513	183.9	228.9	355.6	266.7	57.4	266.7	558.4	393	134.0
565	45	PLC5652	3,282	197.9	242.9	399.7	304.8	62.2	304.8	729.3	513	189.0