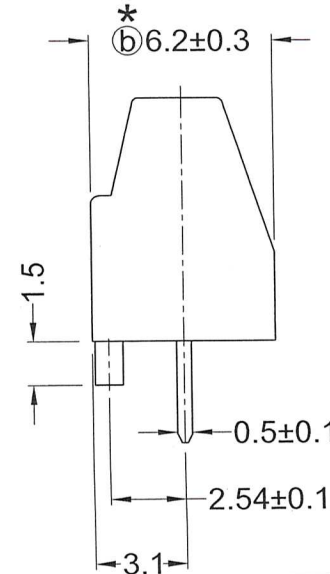
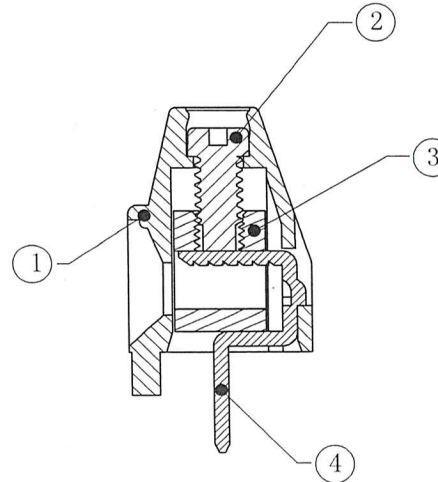
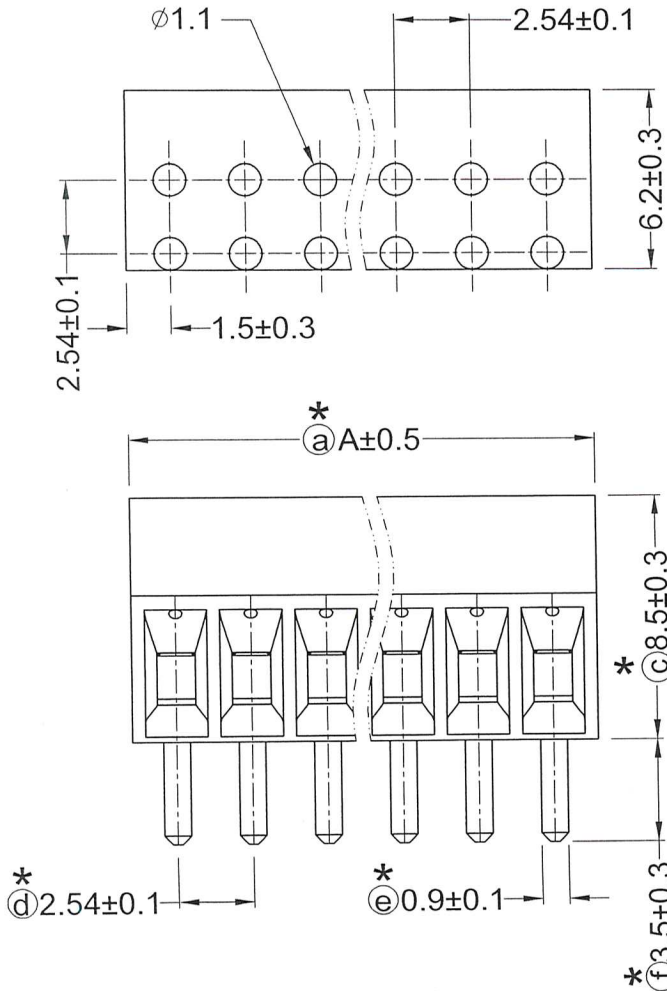


Type No. :MB312-254xxN1P

CAI[®]us RoHS Compliant

PCB Layout



Pitch: 2.54mm(0.100inch)

Poles	A(mm)	A(inch)	Poles	A(mm)	A(inch)
2	5.54	0.218	14	36.02	1.418
3	8.08	0.318	15	38.56	1.518
4	10.62	0.418	16	41.10	1.618
5	13.16	0.518	17	43.64	1.718
6	15.70	0.618	18	46.18	1.818
7	18.24	0.718	19	48.72	1.918
8	20.78	0.818	20	51.26	2.018
9	23.32	0.918	21	53.80	2.118
10	25.86	1.018	22	56.34	2.218
11	28.40	1.118	23	58.88	2.318
12	30.94	1.218	24	61.42	2.418
13	33.48	1.318			

Current rating :6Amp 150V
 Insulation withstands volt :AC2000V/min
 Insulation resistance :>2000MΩ DC500V
 Operation temperature :-40°C to +105°C
 Wire range :18~30 AWG
 Screw torque,max :1.32 lb-in

CONFIRMED & ACCEPTED BY:

Material	Plating/Finish	Remark
1 Insulating body Polyamide 66(UL94V-0)		Green
2 Screw Steel	Zinc plated	
3 Cage clamp Brass	Ni plated	
4 Terminal Brass	Tin plated	

定案
D
REV.

文件管制
 MAR 30 2015
 文管中心

DECA[®]SwitchLab Inc.			PART NAME	UNIT	SCALE
DESIGN	CHECK	APPROVE	Terminal Blocks	MM	1:1
DATE	DATE	DATE	DRAWING NO.		SHEET
2015/03/30	2015/03/30	2015/03/30	MB312-254xxN1P		1/1