



Datasheet

RS Pro Mini Hacksaw

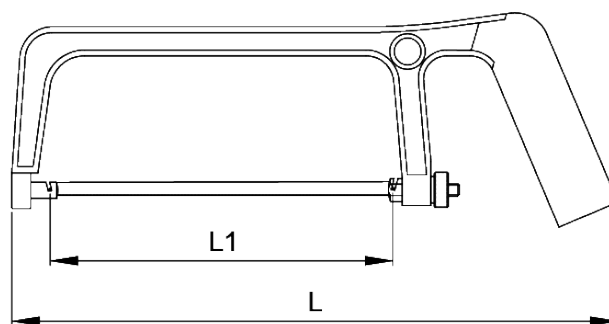
EN



Product feature:

DIN 6473

- For 6" - 150 mm blades
- Cast body
- Powder coated finish



RS CODE NO	CODE NO	L mm	L inch	L1 mm	L1 inch	
1829801	J36-150RS	260	16 -1/8"	150	6"	115