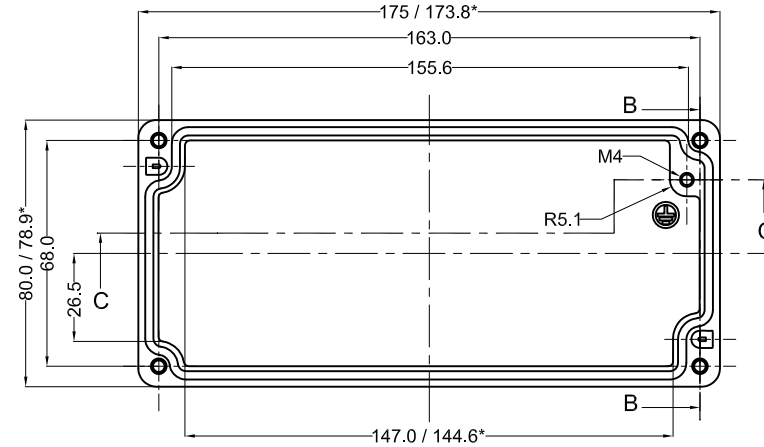
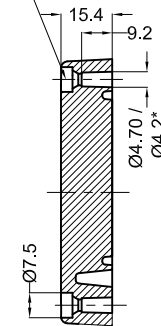


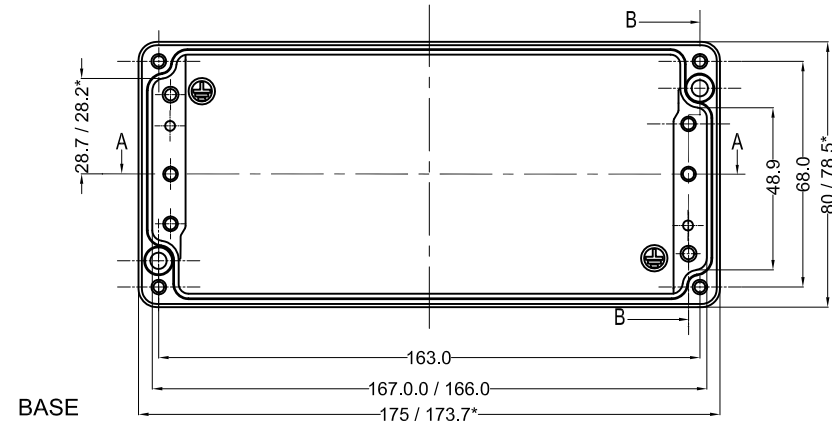
LID



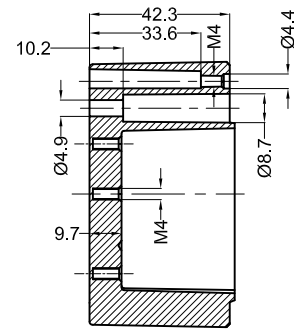
Cylinder Screw  
M4 x 20/7 similar to DIN 84



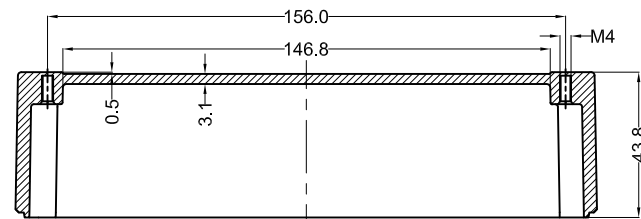
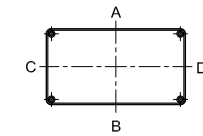
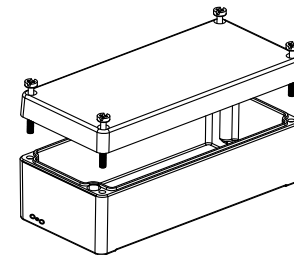
SECTION B-B



BASE



SECTION B-B



SECTION A-A

5	SILICON GASKATE	JB-02GSK-07	SILICON	1
4	JB EXTERNAL EARTHING SET	-	AISI 304	1
3	LID MOUNTING SCREW	M6 JB-SCR-LD-00	AISI 304	4
2	JB-EARTHING SCREW	-	MS COPPER PLATED	2
1	JUNCTION BOX Ex-175 x 80 x 57	Ex-1758057	AISI 12	1
SR.NO.	PART NAME	DRAWING NO.	MATERIAL	QTY

B.O.M.

**GENERAL SPECIFICATION AND AREA CLASSIFICATION:**

1. MATERIAL COMPOSITION - AISI 12
2. DEGREE OF PROTECTION IP66 AS PER IEC 60529 : 1989 +A1 : 2000
3. SERVICE TEMPERATURE RANGE : - 50 °C to +135 °C
4. ALL DIMENSIONS ARE IN mm. UNLESS STATED OTHERWISE.
5. SURFACE WILL PLAIN FINISH OR POWDER COATED.(RAL-7001)
6. THE JUNCTION BOX WILL BE MARKED WITH
7. II 2 G Ex e IIC Gb  
 II 2 D Ex tb IIIC Db IP 66  
0539  
DEMKO 13 ATEX 1327771U  
IECEx UL 13.0042U

8. TRADE MARK

NOT TO BE REVISED WITHOUT NOTIFICATION TO THE ExCB/NOTIFIED BODY

Opening Detail (Size)	NO OF HOLES SIDE A/B	Min. Distance between the opening for Side A/B (mm)	NO OF HOLES SIDE C/D	Min. Distance between the opening for Side C/D (mm)	Opening Detail (Size) PG	NO OF HOLES SIDE A/B	Min. Distance between the opening for Side A/B (mm)	NO OF HOLES SIDE C/D	Min. Distance between the opening for Side C/D (mm)	Min. Distance of last opening from the enclosure end on side A/B (mm)	Min. Distance of last opening from the enclosure end on side C/D (mm)
M12	6	10	2	11	Pg.7	6	10	2	11	14	22
M16	6	10	2	11	Pg.9	6	10	2	11	14	22
M20	5	10	1	-	Pg.11	6	8	2	8	16	25
M25	3	30	1	-	Pg.13.5	5	9	2	8	20	25
M32	-	-	-	-	Pg.16	4	15	1	-	19	25
M40	-	-	-	-	Pg.21	3	21	-	-	23	-
M50	-	-	-	-	Pg.29	-	-	-	-	-	-
M63	-	-	-	-	Pg.36	-	-	-	-	-	-
-	-	-	-	-	Pg.42	-	-	-	-	-	-
-	-	-	-	-	Pg.48	-	-	-	-	-	-

QUANTITY	MATERIAL :- <b>AISI 12 DIN230</b>	MACH.NAME	DATE	SIGN	NAME
		-	17/08/14		RRPL DESIGN
			17/08/14		MANOJ DRAWN
		TITLE :- JUNCTION BOX 175 x 80 x 57	17/08/14		G.K. CHECKED
			17/08/14		J.B. APPROVED
TOLERANCE	WEIGHT: FINISH: NATURAL	SCALE	PARTNO. 0		
±0.2 DIMENSIONS	ALL DIMENSION ARE IN MM	RAYCHEM RPG (P) Limited	DRG. NO.		
±0.2 HOLES	RJ 07	Coat Mahal Annexe, Dr. Anile Besant Road , Worli , Mumbai 400030 Web : www.raychemrpg.com	REV 0		
±1.0° ANGLES			Ex-AJB-1758057		

PROPERTY OF RaychemRPG (P) LTD.  
ALL RIGHTS RESERVED AND/OR PHOTOCOPYING THIS DOCUMENT  
TO A PERSON WITHOUT RaychemRPG (P)LTD. WRITTEN AUTHORIZATION IS PROHIBITED