

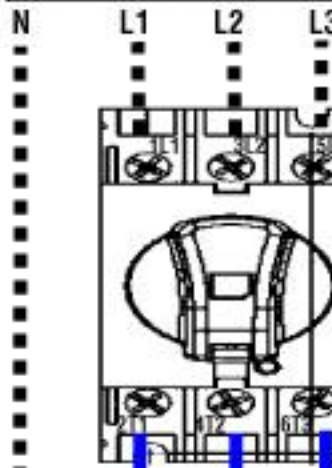


725-5572
725-5579
725-5581
725-5594

1 WIRING DIAGRAM FOR
3 PHASE SUPPLY WITH
230V COIL

MFRS PART NOS:
YDSW11230
YDSW15230
YDSW22230
YDSW30230

2 INCOMING TPN SUPPLY

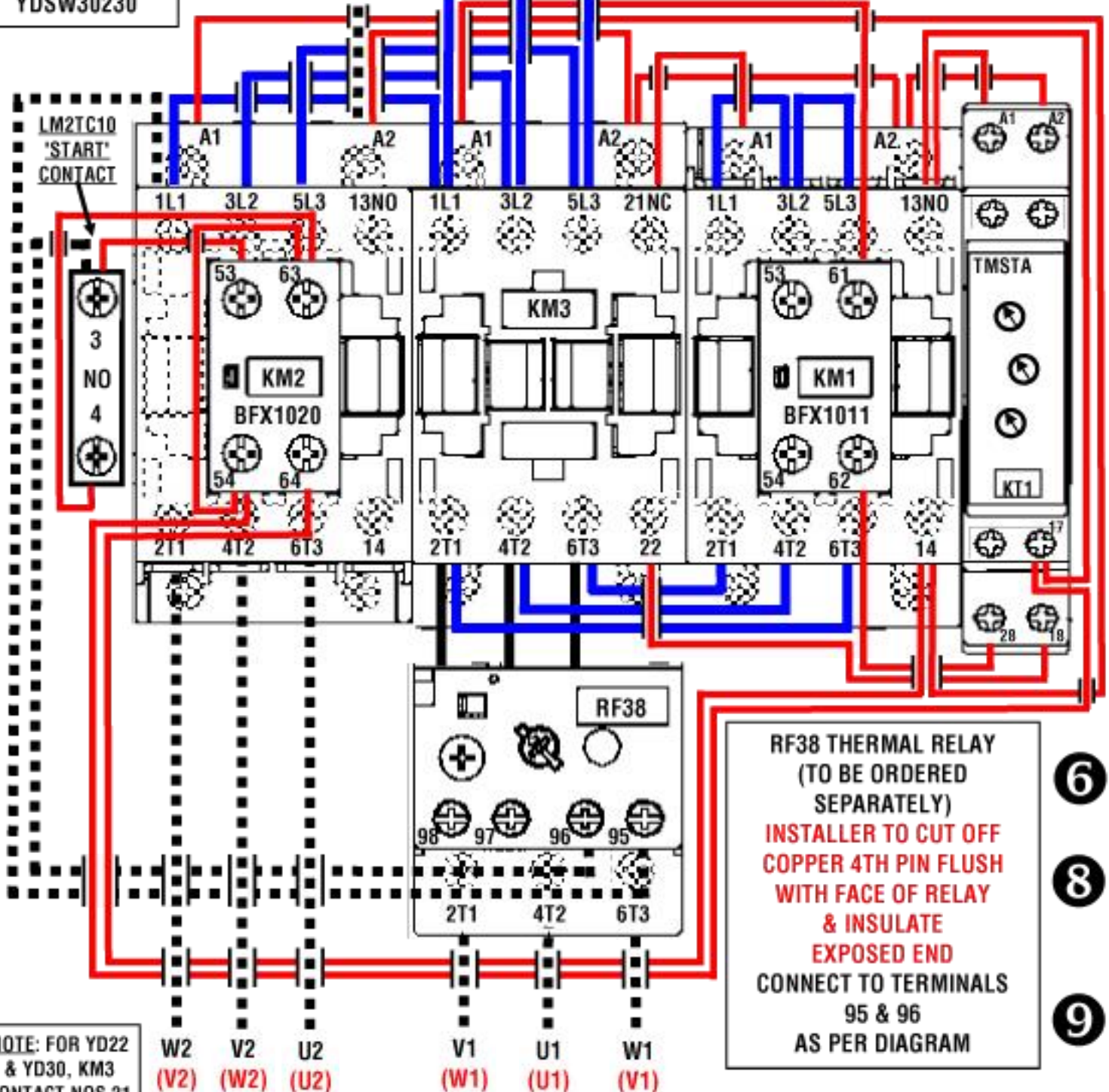


KEY

- 3** CONTROL WIRING ALREADY INCLUDED (Red line)
- 4** POWER & Y/D LINKS ALREADY INCLUDED (Blue line)
- 5** CONNECTIONS TO BE MADE BY INSTALLER (Dotted line)

WARNING
TO PREVENT RISK OF DAMAGE OR SAFETY HAZARDS, THIS EQUIPMENT SHOULD ONLY BE INSTALLED BY SUITABLY QUALIFIED OR COMPETENT PERSONS AND IN ACCORDANCE WITH ALL APPLICABLE ELECTRICAL REGULATIONS

LSTAR005 | GB DP 10 10



6 RF38 THERMAL RELAY (TO BE ORDERED SEPARATELY)
8 INSTALLER TO CUT OFF COPPER 4TH PIN FLUSH WITH FACE OF RELAY & INSULATE EXPOSED END
9 CONNECT TO TERMINALS 95 & 96 AS PER DIAGRAM

NOTE: FOR YD22 & YD30, KM3 CONTACT NOS 21 & 22 ARE REPLACED WITH KM3 CONTACT NOS 61 & 62

10 OUTGOING MOTOR CONNECTIONS (CONNECTIONS FOR SHOWN IN RED)