



Datasheet

ENGLISH

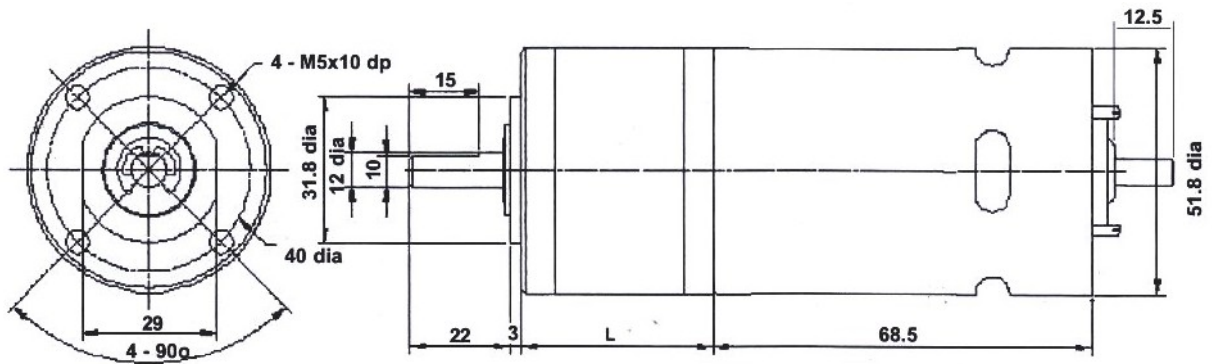
RS PRO, 12 V dc, 52140 gcm, Brushed DC Geared Motor, Output Speed 50 rpm

Stock No: 420-609



Specifications:

| | |
|-----------------------|------------|
| Output Speed | 50 rpm |
| Supply Voltage | 12 V dc |
| Maximum Output Torque | 52140 g.cm |
| DC Motor Type | Brushed |
| Shaft Diameter | 12mm |
| Power Rating | 38.7 W |
| Gearhead Type | Planetary |
| Length | 152.5mm |
| Width | 51.8mm |
| Current Rating | 4.61 A |
| Weight | 1319g |



Operating relative humidity 20% ~ 85%
 Operating temperature range -10°C ~ +60°C

| Ratio | L |
|-------|--------|
| 100:1 | 84.0mm |

| Gearbox Housing material | Metal |
|--------------------------------|---------------|
| Backlash at no-load | < 3° |
| Bearing at output | Ball bearings |
| Radial load (10mm from flange) | < 20 kgf |
| Shaft axial load | < 10 kgf |
| Shaft press fit force max | < 30 kgf |
| Radial play of shaft | < 0.04mm |
| Thrust play of shaft | < 0.3mm |

| Reduction Ratio | Rated tolerance Torque | Max momentary Tolerance Torque | Efficiency |
|-----------------|------------------------|--------------------------------|------------|
| 1/100 | 100.0 kgf-cm Max. | 300.0 kgf-cm | 60% |

| Reduction Table RPM | 6v | 12v |
|---------------------|----|-----|
| SUPPLY VOLTAGE | | |
| 420-609 | 25 | 50 |

Note: Motor speeds may vary by (+) or (-) 12.5%

