

Fuse Holder 30A In-Line

multicomp^{PRO}

RoHS
Compliant



Description

Designed for battery management with a maximum current rating of 30A, 32V high-volt mini fuse holder is compatible with up to 2.92mm blade fuses with 7.66mm spacing, making them a great choice for heavy-duty vehicles. The Mini fuse holder features and is available with either UL 1015 12-18#AWG for plug in the fuse assembly with 30A accepted.

Applications

- Power Management
- Heavy-Duty Vehicles
- Marine, Boat

Features and Benefits

- Wire range : 12#AWG, Thick wire allow you to cut and splice it into any project.
- Material : PVC Insulation Body.
- Fuse holder dimension : 46mm × 34.4mm × 9mm.
- Waterproof design : The cap fits on tightly to protect any mini blade fuse inside. Not easy to fall off or let water in.
- Superior Quality : High-quality materials ensure high fatigue resistance, melting resistance and excellent electrical conductivity which allows easy installation of additional circuits without cutting or splicing.
- Mini Fuse Type : Automotive Fuses
- LED Warning : Light when Fuse is Blow.

Specification

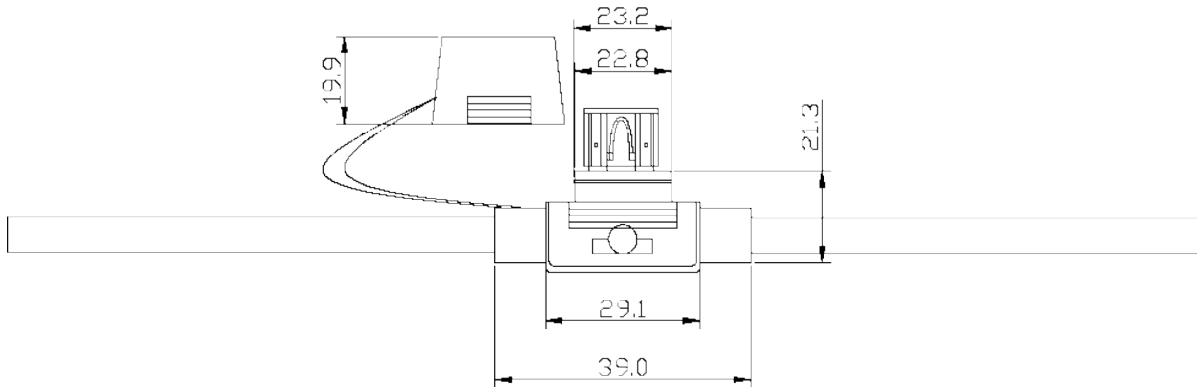
Current Rating Max	: 30 Amps
Fuse Type	: ASP Fuse, Mini Fuse
Available Wire Gauge	: UL 1015 12#AWG, G/6" Each End
Mounting Method	: Fixed by wire
Max Voltage Rating	: 32V DC
Application Notes	: Max rating current could change.

Newark.com/multicomp-pro
Farnell.com/multicomp-pro
sg.element14.com/b/multicomp-pro

multicomp^{PRO}

Fuse Holder 30A In-Line

Diagram



Part Number Table

Description	Part Number
Fuse Holder with Cap, ASP, In-Line, LED, 30A, 12AWG	MP011363

Important Notice : This data sheet and its contents (the "Information") belong to the members of the AVNET group of companies (the "Group") or are licensed to it. No licence is granted for the use of it other than for information purposes in connection with the products to which it relates. No licence of any intellectual property rights is granted. The Information is subject to change without notice and replaces all data sheets previously supplied. The Information supplied is believed to be accurate but the Group assumes no responsibility for its accuracy or completeness, any error in or omission from it or for any use made of it. Users of this data sheet should check for themselves the Information and the suitability of the products for their purpose and not make any assumptions based on information included or omitted. Liability for loss or damage resulting from any reliance on the Information or use of it (including liability resulting from negligence or where the Group was aware of the possibility of such loss or damage arising) is excluded. This will not operate to limit or restrict the Group's liability for death or personal injury resulting from its negligence. Multicomp Pro is the registered trademark of Premier Farnell Limited 2019.