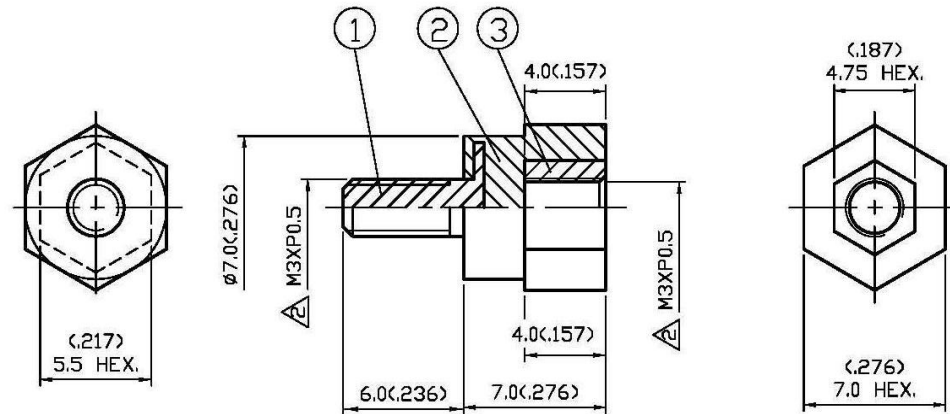




NO	DESCRIPTION	DATE
①	DEL 222-632	12.29.06'
②	DEL $\phi 2.8$, $\phi 2.5$	03.26.08'
③	NYLON 66 → H50LN	07.08.10'
④	NICKEL 100 μ " MIN. → NICKEL	11.21.14'



P/N: 6539548

NO	DESCRIPTION	MATERIAL	Q'TY	FINISH	
3	NUT	BRASS	1	NICKEL	④
2	INSULATION	H50LN	1	NONE	③
1	SCREW	BRASS	1	NICKEL	④

製圖	DRAWN	TOLERANCE	品名	95-87 Δ ROHS COMPLIANT	日期	DATE	版次	REV.
	<i>Kristina</i>	.X ± 0.2	TITLE					
檢圖	CHECK	.XX ± 0.1	單位	DWG.NO.	95-0084			
	<i>Arc</i>	.XXX ± 0.05	mm(in)					
認定	APPROVAL	ANGLE $\pm 5^\circ$	比例					
	<i>Angela</i>		4:1					