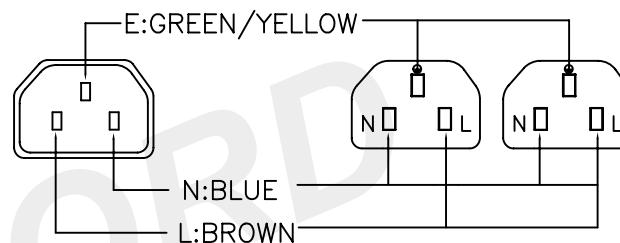
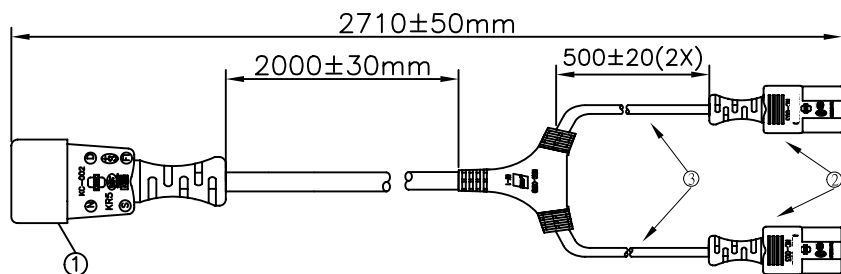


Safety Certificates

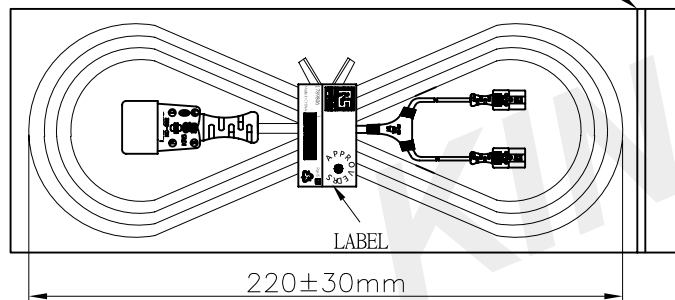
RoHS Compliant

KC-002: 

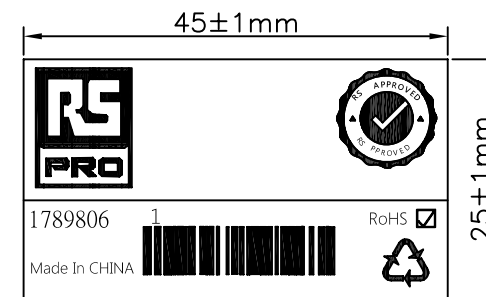
KC-003: 



PE BAG HEAT CLOSED

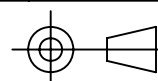


REFERENCE



LABEL

RECORD OF CHANGE

RECORD OF CHANGE			NO:	DESCRIPTION	Q'TY	REMARK
MAY.08.2018	REV A	DESCRIPTION OF CHANGE NEW PRODUCT	1	Plug:KC-002,10A 250V~	1PC	BLACK
JUN.15.2018	B	1.ADD THE CONTENT OF THE LABEL. 2.DELETE THE WIRE LABEL.	2	Connector:KC-003,10A 250V~	2PC	BLACK
SEP.27.2018	C	1.CHANGE CUSTOMER NUMBER 818-8909 TO 1789806. 2.CHANGE LABEL CONTENT.	3	Cable:H05W-F 3G 1.0mm ²	3PC	BLACK
					CUSTOMER NAME: FIRST CONNECTIVITY LIMITED	
				UNIT:mm	CUSTOMER NO.: 1789806	
			NOTES:			

