

Datasheet

RS PRO RS-H10B Heavy Duty Housing



The RS PRO Heavy-Duty Connector series is a full range of heavy-duty inserts, housings, crimps and accessories. The housing is produced from corrosion resistant, powder coated, die cast Aluminium with locking levers made from galvanized Iron. These are available in standard or tall variations with both single and double locking options and offer IP65 protection. Created for applications that are subjected to harsh environments or where high vibration can cause standard connectors to fail makes these connectors ideal for food & beverage manufacturing, packaging machines, conveyor belt systems, railway, oil & gas processing and other industrial automation. The entire range of connectors are RoHS compliant and as with all RS PRO products, offer exceptional value for money.

Features & Benefits:

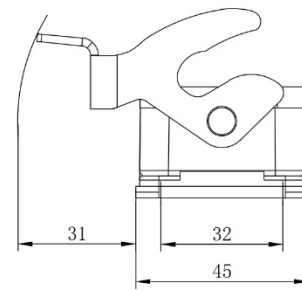
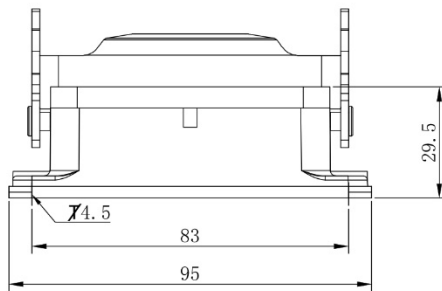
- Aluminium Die Cast Housing
- Powder Coated Surface
- IP65
- For use with PG or M style Cable Glands
- Fits RS PRO Heavy Duty Inserts

Quality Standards

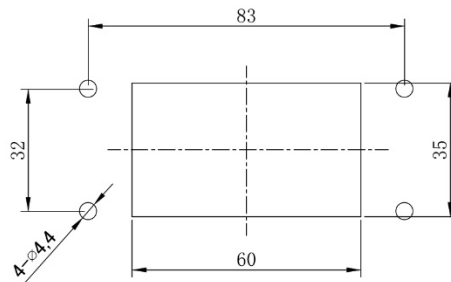
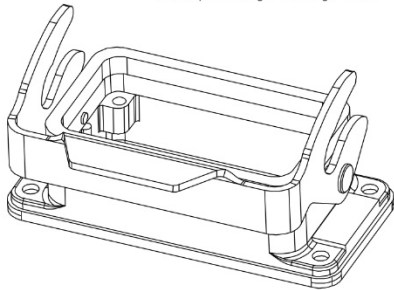


Dimensional line drawings

Bulkhead Mount 1 Locking Lever 208-4735



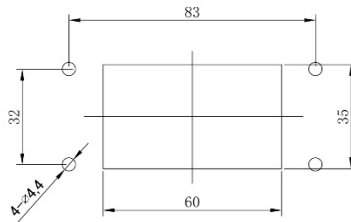
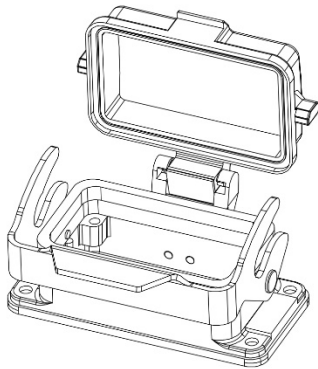
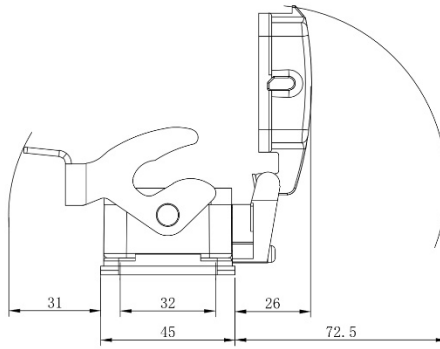
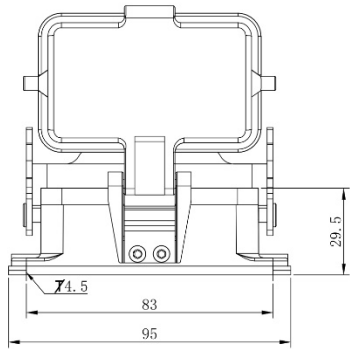
- Technical specification:
- Material: Aluminium die-cast
 - Surface: powder-coated
 - Colour: (grey)
 - Temperature range:
 - 40°C - +125°C
 - Degree of Protection: IP65
(acc.to IEC 60529 for coupled connector)
 - Locking element:
 - locking type: single locking latch
 - material: metal galvanized/nickel plating
 - Cable entry: bottom entry
 - Hoods/Housings sealing: NBR



Panel cut out

Dimensional line drawings

Bulkhead Mount 1 Locking Lever with Plastic Cover 208-4736

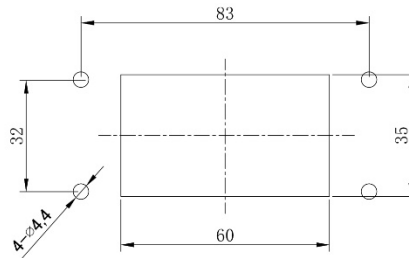
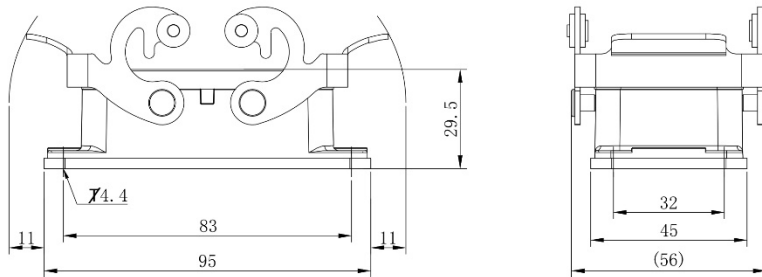


Panel cut out

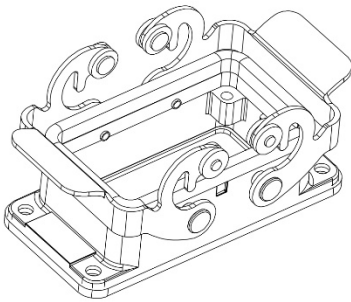
- Technical specification:
- Material: Aluminium die-cast
 - Material, cover: PC
 - Surface: powder-coated
 - Colour: (grey)
 - Temperature range: -40°C - +125°C
 - Degree of Protection: IP65
(acc.to IEC 60529 for coupled connector)
 - Locking element:
 - locking type: single locking latch
 - material: metal galvanized/nickel plating
 - Cable entry: bottom entry
 - Hoods/Housings sealing: NBR

Dimensional line drawings

Bulkhead Mount 2 Locking Levers 208-4737



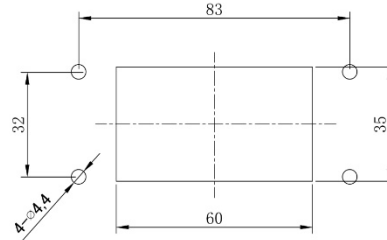
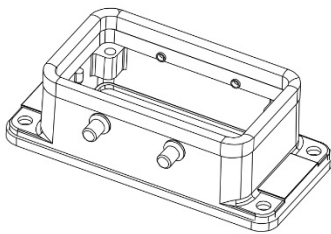
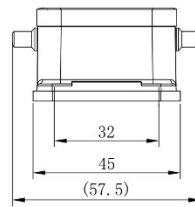
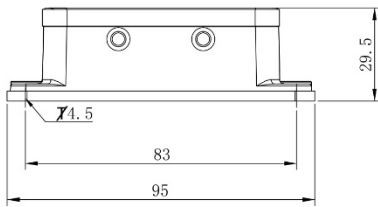
Panel cut out



- Technical specification:
- Material: Aluminium die-cast
 - Surface: powder-coated
 - Colour: (grey)
 - Temperature range:
 - 40°C - +125°C
 - Degree of Protection: IP65
(acc.to IEC 60529 for coupled connector)
 - Locking element:
 - locking type: double locking latch
 - material: stainless steel
 - Cable entry: bottom entry
 - Hoods/Housings sealing: NBR

Dimensional line drawings

Bulkhead Mount 4 Locking Points 208-4738



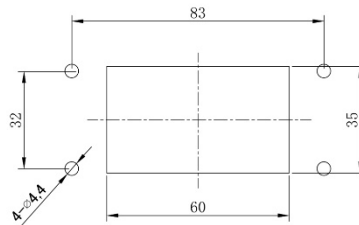
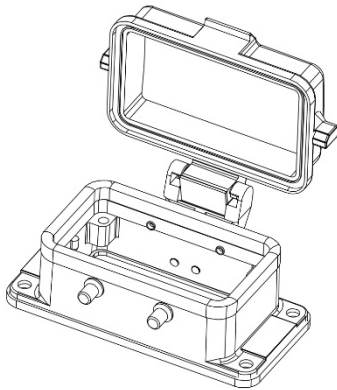
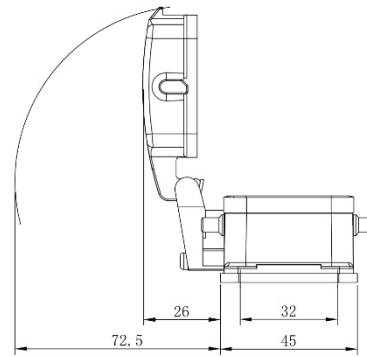
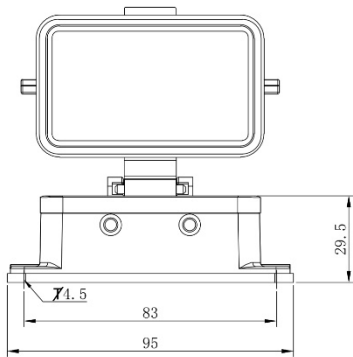
Panel cut out

Technical specification:

- Material: Aluminium die-cast
- Surface: powder-coated
- Colour: (grey)
- Temperature range: -40°C - +125°C
- Degree of Protection: IP65
(acc.to IEC 60529 for coupled connector)
- Cable entry: bottom entry
- Hoods/Housings sealing: NBR

Dimensional line drawings

Bulkhead Mount 4 Locking Points with Plastic Cover 208-4739



Panel cut out

Technical specification:

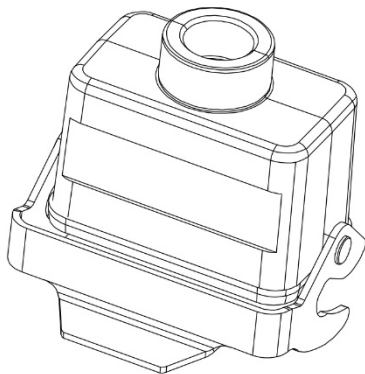
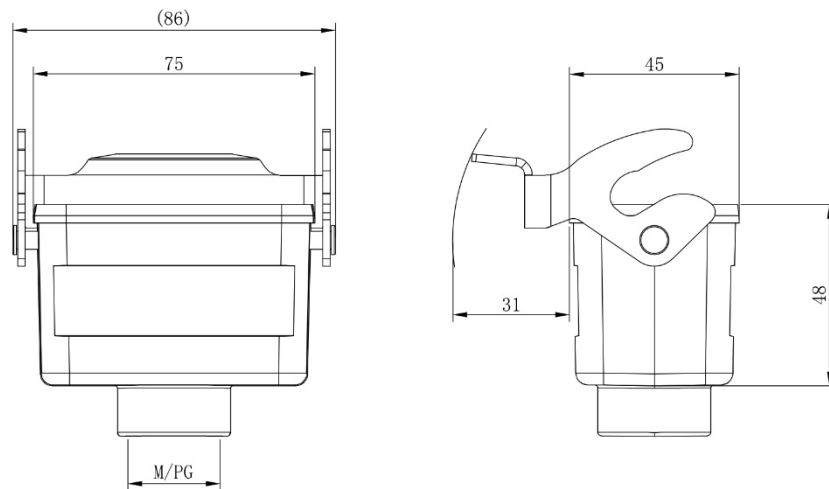
- Material: Aluminium die-cast
- Material, cover: PC
- Surface: powder-coated
- Colour: (grey)
- Temperature range: -40°C - +125°C
- Degree of Protection: IP65 (acc.to IEC 60529 for coupled connector)
- Cable entry: bottom entry
- Hoods/Housings sealing: NBR

Dimensional line drawings

Cable to Cable 1 Locking Lever

M20 = 208-4751

PG16 = 208-4752



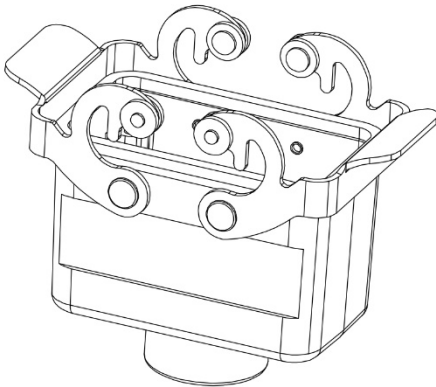
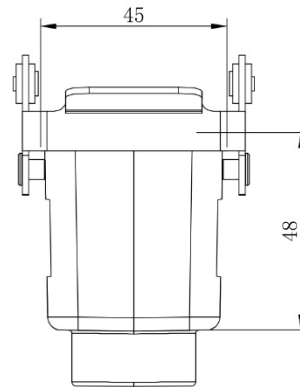
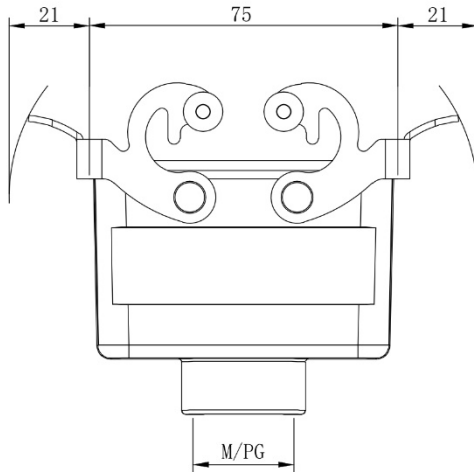
- Technical specification:
- Material: Aluminium die-cast
 - Surface: powder-coated
 - Colour: (grey)
 - Temperature range: -40°C - +125°C
 - Degree of Protection: IP65 (acc.to IEC 60529 for coupled connector)
 - Locking element:
 - locking type: single locking latch
 - material: metal galvanized/nickel plating
 - Cable entry: top entry
 - No. of cable entries: 1
 - Thread size: M/PG
 - Hoods/Housings sealing: NBR

Dimensional line drawings

Cable to Cable 2 Locking Levers

M20 = 208-4753

PG16 = 208-4754



Technical specification:

- Material: Aluminium die-cast
- Surface: powder-coated
- Colour: (grey)
- Temperature range:
 - 40°C - +125°C
- Degree of Protection: IP65
(acc.to IEC 60529 for coupled connector)
- Locking element:
 - locking type: double locking latch
 - material: stainless steel
- Cable entry: top entry
- No. of cable entries: 1
- Thread size: M/PG
- Hoods/Housings sealing: NBR

Dimensional line drawings

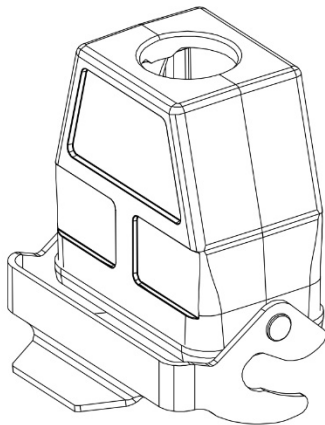
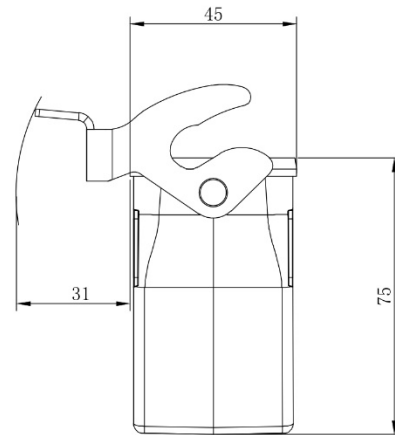
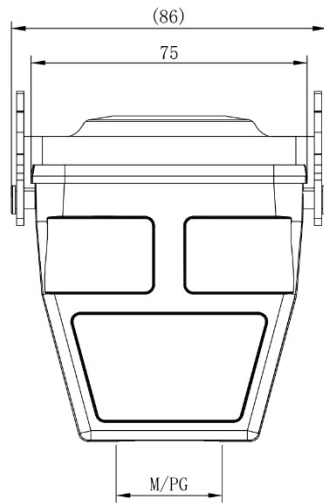
Cable to Cable High 1 Locking Lever

M25 = 208-4755

M32 = 208-4756

PG21 = 208-4758

PG29 = 208-4759



Technical specification:

- Material: Aluminium die-cast
- Surface: powder-coated
- Colour: (grey)
- Temperature range:
 - 40°C - +125°C
- Degree of Protection: IP65
(acc.to IEC 60529 for coupled connector)
- Locking element:
 - locking type: single locking latch
 - material: metal galvanized/nickel plating
- Cable entry: top entry
- No. of cable entries: 1
- Thread size: M/PG
- Hoods/Housings sealing: NBR

Dimensional line drawings

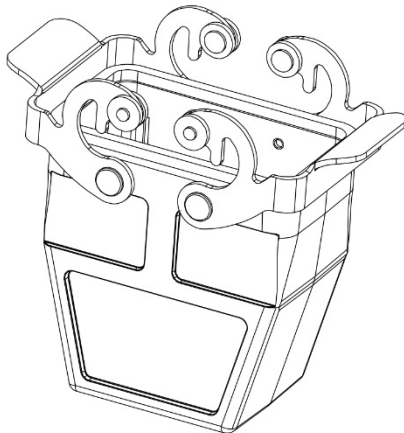
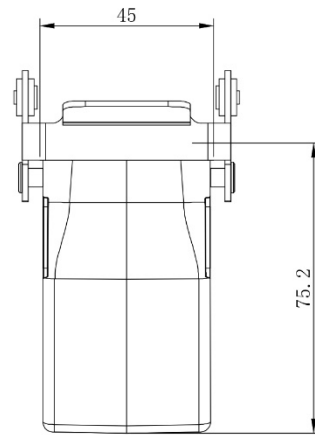
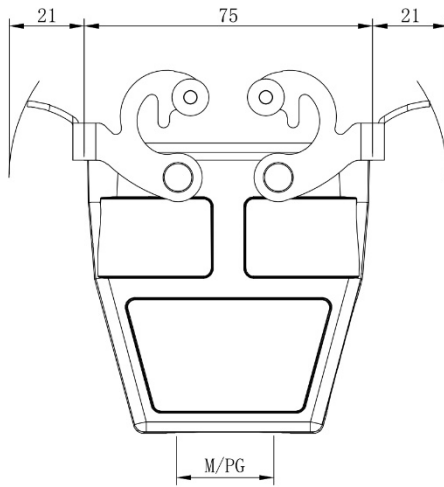
Cable to Cable High 2 Locking Levers

M25 = 208-4760

M32 = 208-4761

PG21 = 208-4762

PG29 = 208-4764



Technical specification:

- Material: Aluminium die-cast
- Surface: powder-coated
- Colour: (grey)
- Temperature range:
 - 40°C - +125°C
- Degree of Protection: IP65
(acc.to IEC 60529 for coupled connector)
- Locking element:
 - locking type: double locking latch
 - material: stainless steel
- Cable entry: top entry
- No. of cable entries: 1
- Thread size: M/PG
- Hoods/Housings sealing: NBR

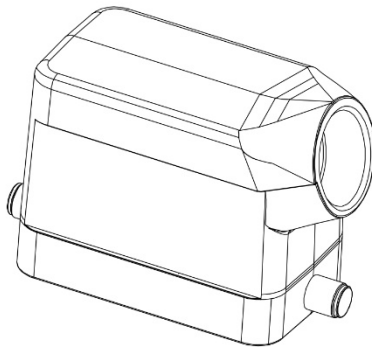
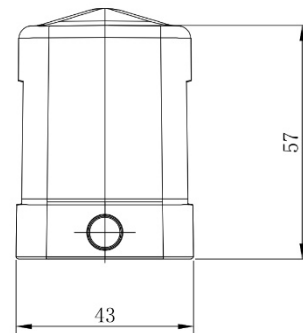
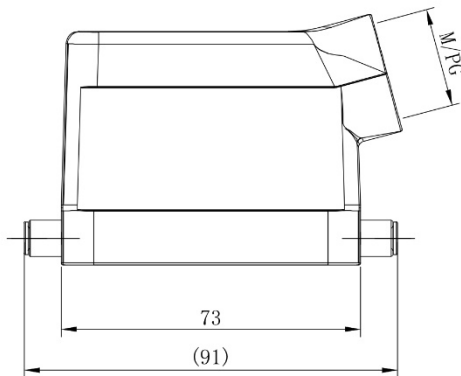
Dimensional line drawings

Side Entry Hood 2 Locking Points

M20 = 208-4765

M25 = 208-4766

PG16 = 208-4767



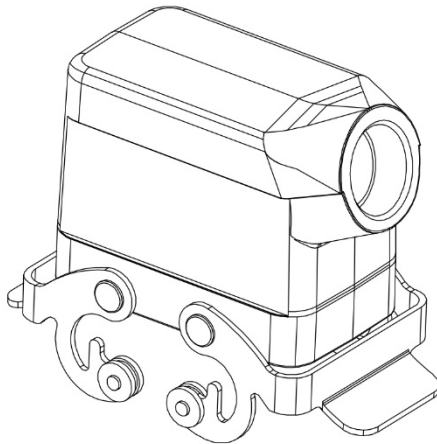
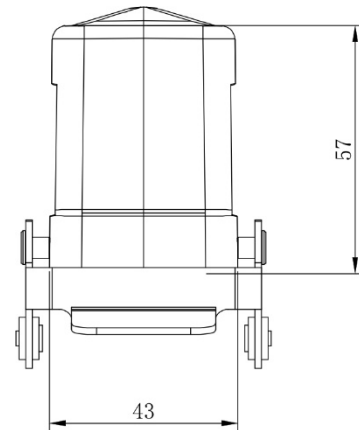
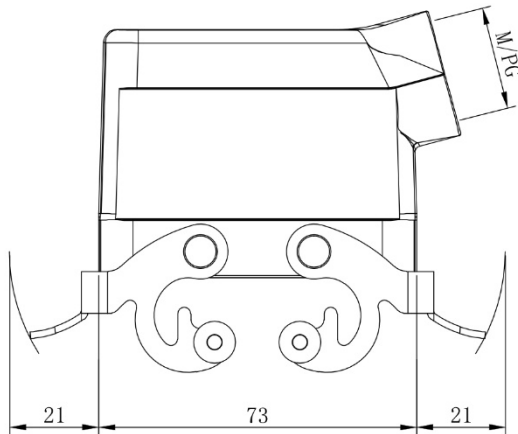
- Technical specification:
- Material: Aluminium die-cast
 - Surface: powder-coated
 - Colour: (grey)
 - Temperature range:
 - 40°C - +125°C
 - Degree of Protection: IP65
(acc.to IEC 60529 for coupled connector)
 - Cable entry: side entry
 - No. of cable entries: 1
 - Thread size: M/PG

Dimensional line drawings

Side Entry Hood 2 Locking Levers

M20 = 208-4768

PG16 = 208-4769



Technical specification:

- Material: Aluminium die-cast
- Surface: powder-coated
- Colour: (grey)
- Temperature range:
 - 40°C - +125°C
- Degree of Protection: IP65
(acc.to IEC 60529 for coupled connector)
- Locking element:
 - locking type: double locking latch
 - material: stainless steel
- Cable entry: side entry
- No. of cable entries: 1
- Thread size: M/PG

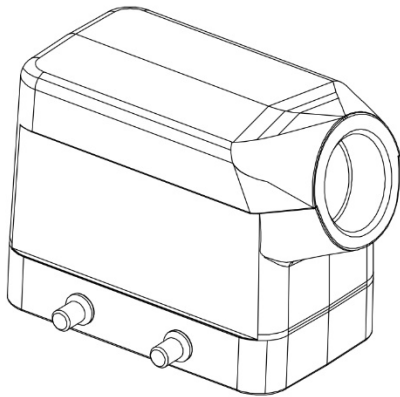
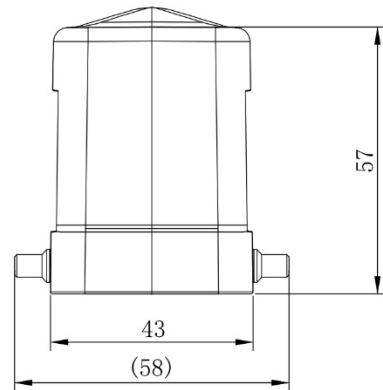
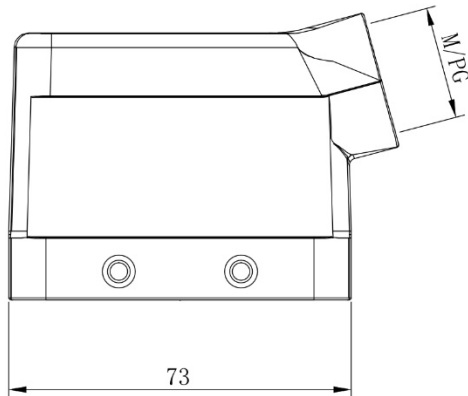
Dimensional line drawings

Side Entry Hood 4 Locking Points

M20 = 208-4770

M25 = 208-4771

PG16 = 208-4772



Technical specification:

- Material: Aluminium die-cast
- Surface: powder-coated
- Colour: (grey)
- Temperature range:
-40°C - +125°C
- Degree of Protection: IP65
(acc.to IEC 60529 for coupled connector)
- Cable entry: side entry
- No. of cable entries: 1
- Thread size: M/PG

Dimensional line drawings

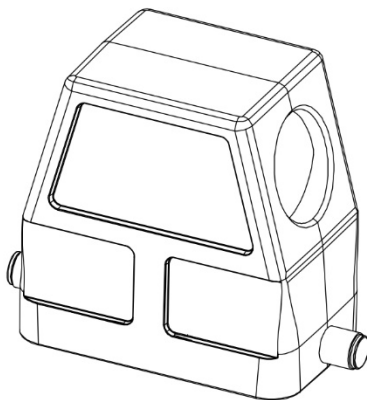
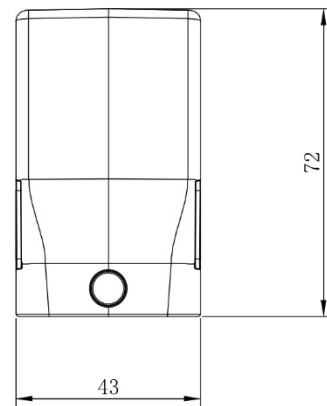
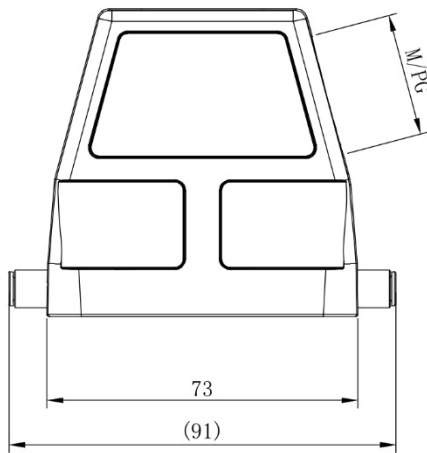
Side Entry High Hood 2 Locking Points

M25 = 208-4773

M32 = 208-4774

PG21 = 208-4775

PG29 = 208-4776



Technical specification:

- Material: Aluminium die-cast
- Surface: powder-coated
- Colour: (grey)
- Temperature range:
 - 40°C - +125°C
- Degree of Protection: IP65
(acc.to IEC 60529 for coupled connector)
- Cable entry: side entry
- No. of cable entries: 1
- Thread size: M/PG

Dimensional line drawings

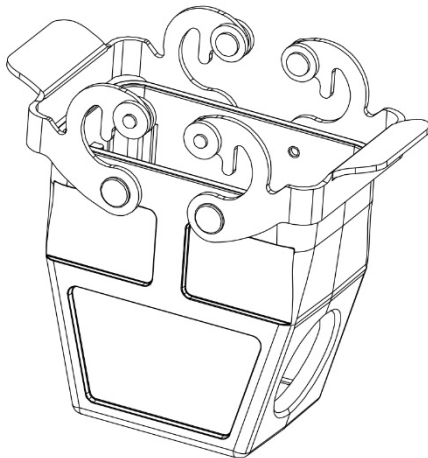
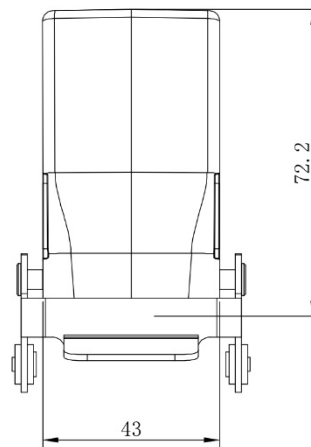
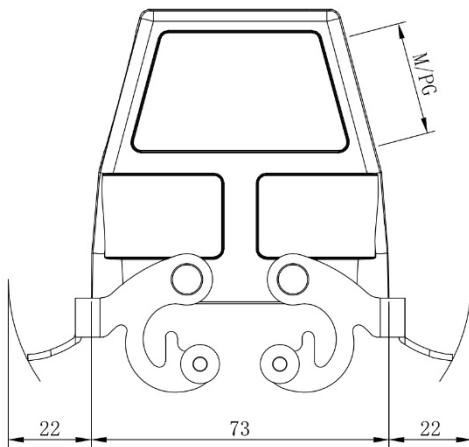
Side Entry High Hood 2 Locking Levers

M25 = 208-4777

M32 = 208-4778

PG21 = 208-4780

PG29 = 208-4781



Technical specification:

- Material: Aluminium die-cast
- Surface: powder-coated
- Colour: (grey)
- Temperature range:
 - 40°C - +125°C
- Degree of Protection: IP65
(acc.to IEC 60529 for coupled connector)
- Locking element:
 - locking type: double locking latch
 - material: stainless steel
- Cable entry: side entry
- No. of cable entries: 1
- Thread size: M/PG

Dimensional line drawings

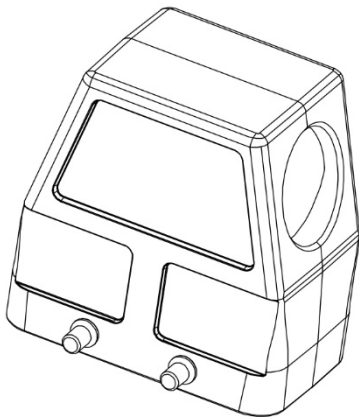
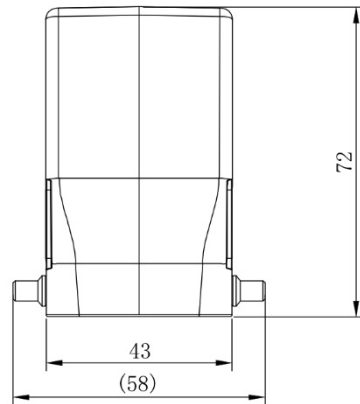
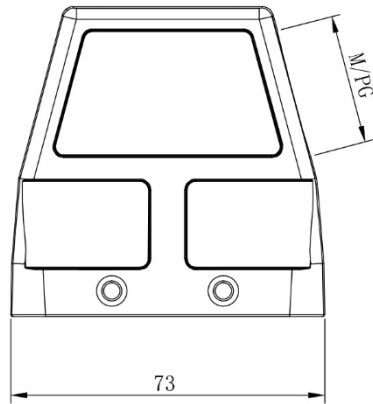
Side Entry High Hood 4 Locking Points

M25 = 208-4782

M32 = 208-4783

PG21 = 208-4784

PG29 = 208-4785



Technical specification:

- Material: Aluminium die-cast
- Surface: powder-coated
- Colour: (grey)
- Temperature range:
 - 40°C - +125°C
- Degree of Protection: IP65
(acc.to IEC 60529 for coupled connector)
- Cable entry: side entry
- No. of cable entries: 1
- Thread size: M/PG

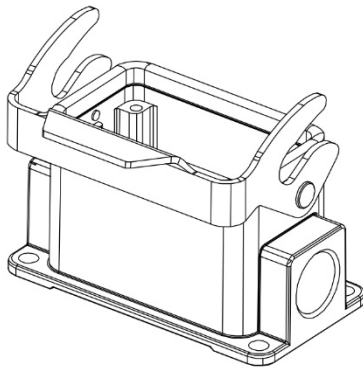
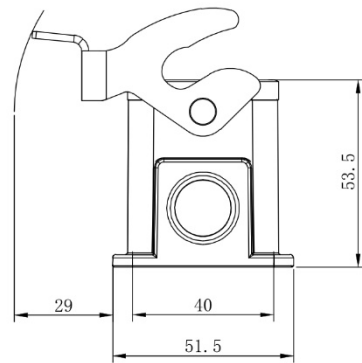
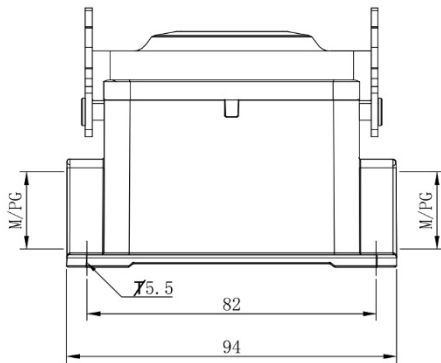
Dimensional line drawings

Surface Mount 1 Locking Lever 2 Cable Openings

2xM20 = 208-4786

2xM25 = 208-4787

2xPG16 = 208-4788



Technical specification:

- Material: Aluminium die-cast
- Surface: powder-coated
- Colour: (grey)
- Temperature range:
 - 40 °C - +125 °C
- Degree of Protection: IP65
(acc.to IEC 60529 for coupled connector)
- Locking element:
 - locking type: single locking latch
 - material: metal galvanized/nickel plating
- Cable entry: side entry
- No. of cable entries: 2
- Thread size: M/PG
- Hoods/Housings sealing: NBR

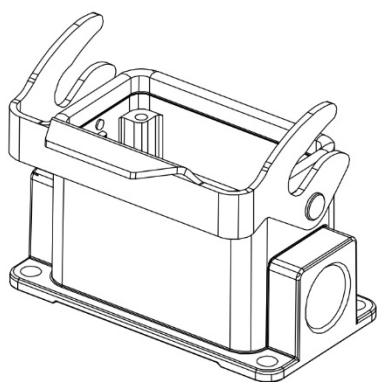
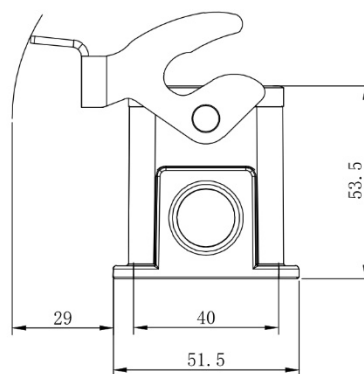
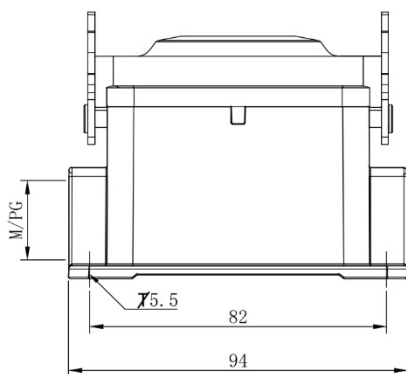
Dimensional line drawings

Surface Mount 1 Locking Lever Single Cable Opening

M20 = 208-4796

M25 = 208-4797

PG16 = 208-4798



Technical specification:

- Material: Aluminium die-cast
- Surface: powder-coated
- Colour: (grey)
- Temperature range:
 - 40°C - +125°C
- Degree of Protection: IP65
(acc.to IEC 60529 for coupled connector)
- Locking element:
 - locking type: single locking latch
 - material: metal galvanized/nickel plating
- Cable entry: side entry
- No. of cable entries: 1
- Thread size: M/PG
- Hoods/Housings sealing: NBR

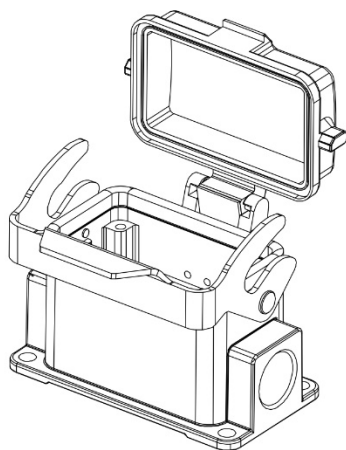
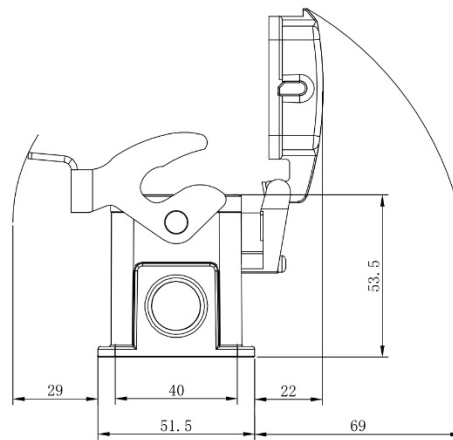
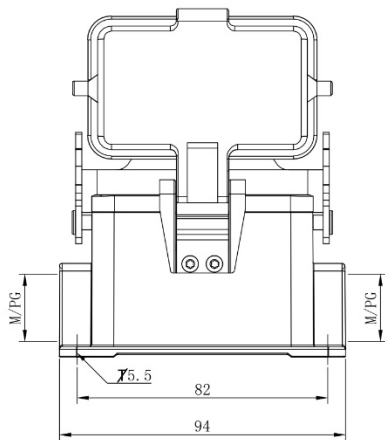
Dimensional line drawings

Surface Mount 1 Locking Lever 2 Cable Openings with Plastic Cover

2xM20 = 208-4789

2xM25 = 208-4790

2xPG16 = 208-4792



Technical specification:

- Material: Aluminium die-cast
- Material, cover: PC
- Surface: powder-coated
- Colour: (grey)
- Temperature range:
 - 40°C - +125°C
- Degree of Protection: IP65
(acc.to IEC 60529 for coupled connector)
- Locking element:
 - locking type: single locking latch
 - material: metal galvanized/nickel plating
- Cable entry: side entry
- No. of cable entries: 2
- Thread size: M/PG
- Hoods/Housings sealing: NBR

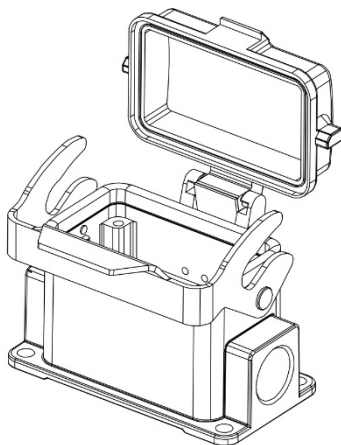
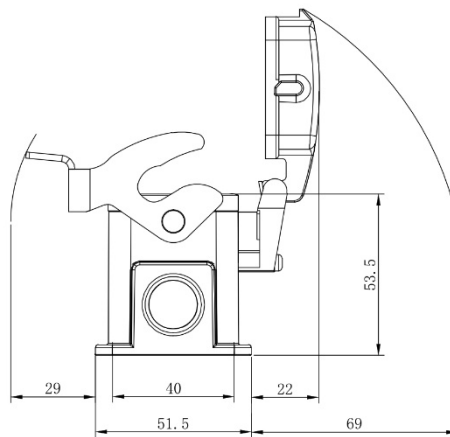
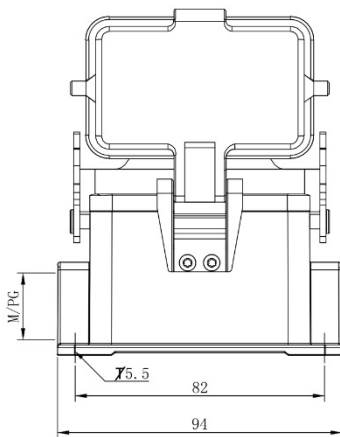
Dimensional line drawings

Surface Mount 1 Locking Lever Single Cable Opening with Plastic Cover

M20 = 208-4793

M25 = 208-4794

PG16 = 208-4795



Technical specification:

- Material: Aluminium die-cast
- Material, cover: PC
- Surface: powder-coated
- Colour: (grey)
- Temperature range:
 - 40 °C - +125 °C
- Degree of Protection: IP65
(acc.to IEC 60529 for coupled connector)
- Locking element:
 - locking type: single locking latch
 - material: metal galvanized/nickel plating
- Cable entry: side entry
- No. of cable entries: 1
- Thread size: M/PG
- Hoods/Housings sealing: NBR

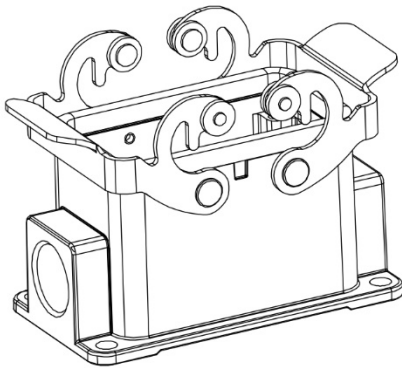
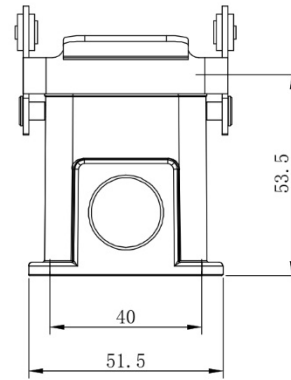
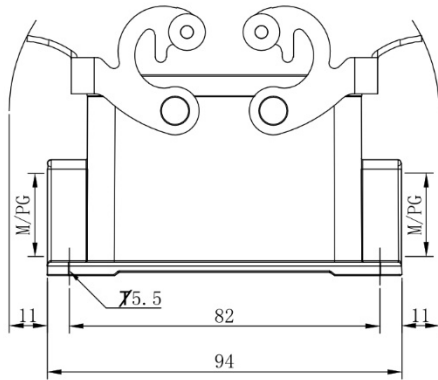
Dimensional line drawings

Surface Mount 2 Locking Levers 2 Cable Openings

2xM20 = 208-4799

2xM25 = 208-4800

2xPG16 = 208-4801



Technical specification:

- Material: Aluminium die-cast
- Surface: powder-coated
- Colour: (grey)
- Temperature range:
 - 40°C - +125°C
- Degree of Protection: IP65
(acc.to IEC 60529 for coupled connector)
- Locking element:
 - locking type: double locking latch
 - material: stainless steel
- Cable entry: side entry
- No. of cable entries: 2
- Thread size: M/PG
- Hoods/Housings sealing: NBR

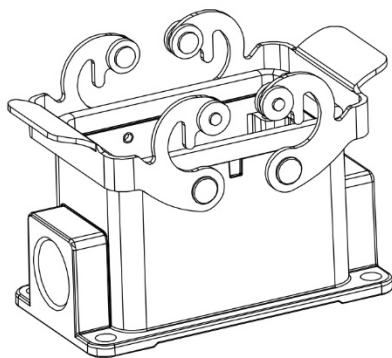
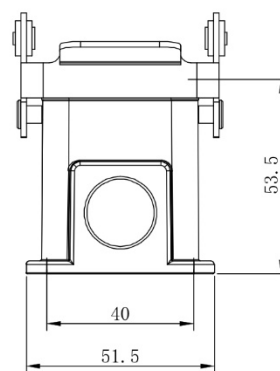
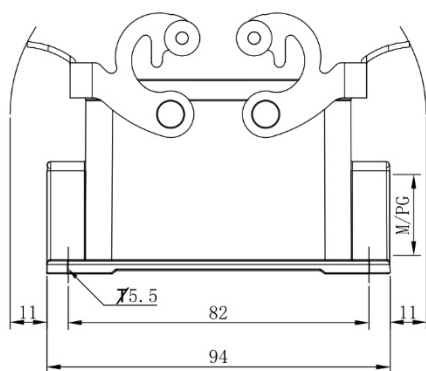
Dimensional line drawings

Surface Mount 2 Locking Levers Single Cable Opening

M20 = 208-4802

M25 = 208-4803

PG16 = 208-4804



Technical specification:

- Material: Aluminium die-cast
- Surface: powder-coated
- Colour: (grey)
- Temperature range:
 - 40°C - +125°C
- Degree of Protection: IP65
(acc.to IEC 60529 for coupled connector)
- Locking element:
 - locking type: double locking latch
 - material: stainless steel
- Cable entry: side entry
- No. of cable entries: 1
- Thread size: M/PG
- Hoods/Housings sealing: NBR

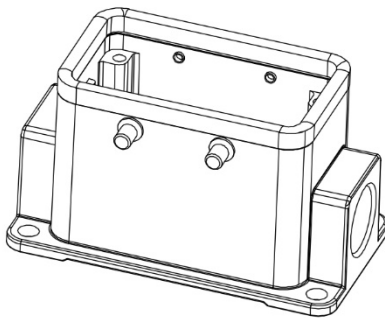
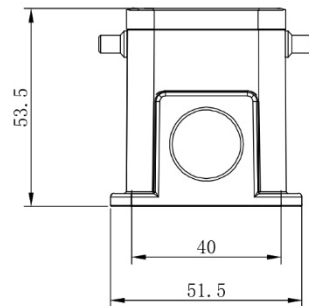
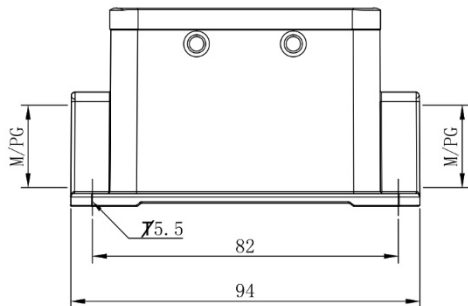
Dimensional line drawings

Surface Mount 4 Locking Points 2 Cable Openings

2xM20 = 208-4805

2xM25 = 208-4806

2xPG16 = 208-4807



Technical specification:

- Material: Aluminium die-cast
- Surface: powder-coated
- Colour: (grey)
- Temperature range:
 - 40°C - +125°C
- Degree of Protection: IP65
(acc.to IEC 60529 for coupled connector)
- Cable entry: side entry
- No. of cable entries: 2
- Thread size: M/PG
- Hoods/Housings sealing: NBR

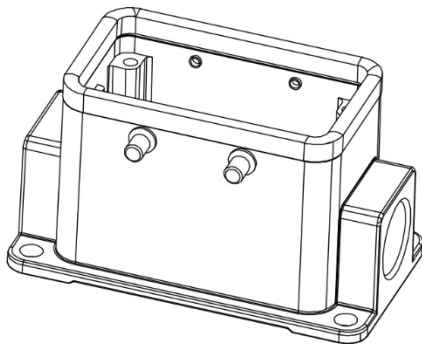
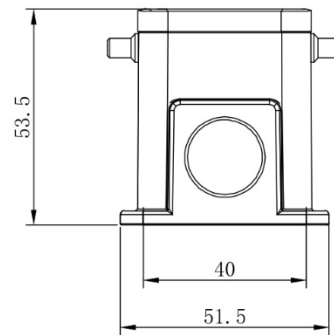
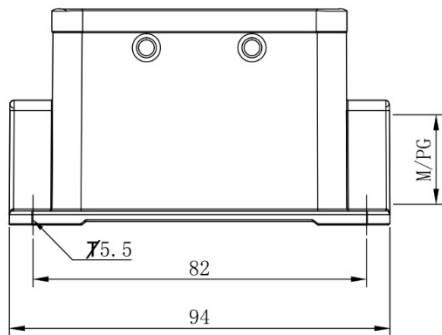
Dimensional line drawings

Surface Mount 4 Locking Points Single Cable Opening

M20 = 208-4816

M25 = 208-4817

PG16 = 208-4818



Technical specification:

- Material: Aluminium die-cast
- Surface: powder-coated
- Colour: (grey)
- Temperature range:
 - 40°C - +125°C
- Degree of Protection: IP65
(acc.to IEC 60529 for coupled connector)
- Cable entry: side entry
- No. of cable entries: 1
- Thread size: M/PG
- Hoods/Housings sealing: NBR

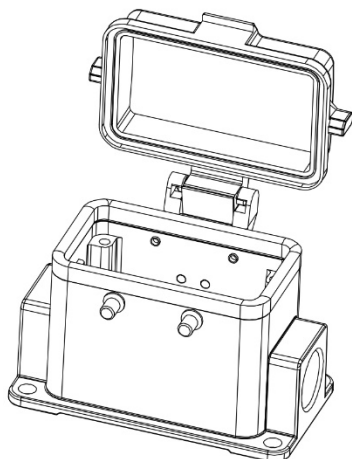
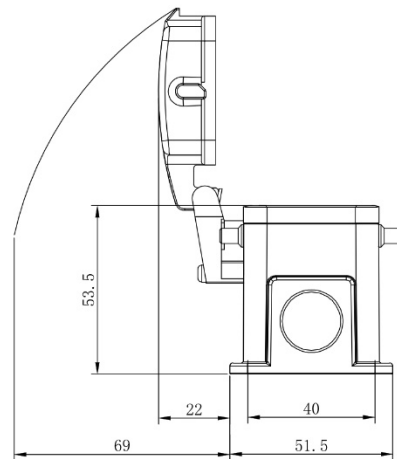
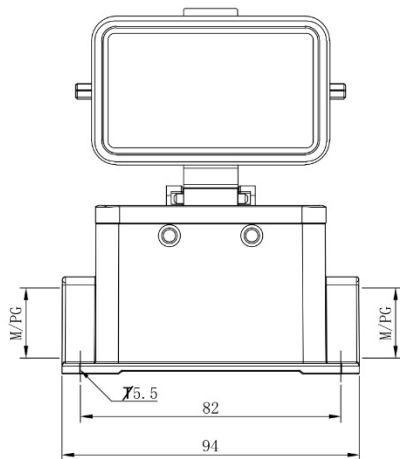
Dimensional line drawings

Surface Mount 4 Locking Points 2 Cable Openings with Plastic Cover

2xM20 = 208-4809

2xM25 = 208-4810

2xPG16 = 208-4811



Technical specification:

- Material: Aluminium die-cast
- Material, cover: PC
- Surface: powder-coated
- Colour: (grey)
- Temperature range:
 - 40°C - +125°C
- Degree of Protection: IP65
(acc.to IEC 60529 for coupled connector)
- Cable entry: side entry
- No. of cable entries: 2
- Thread size: M/PG
- Hoods/Housings sealing: NBR

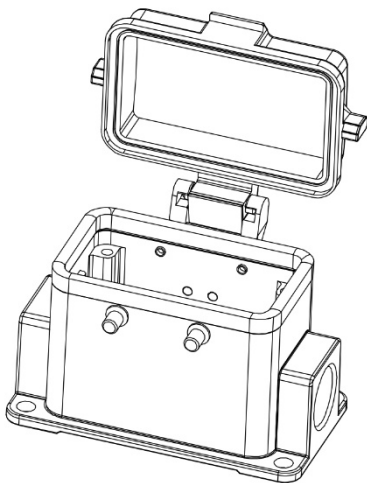
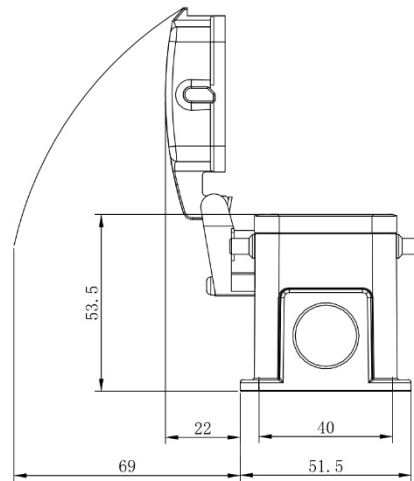
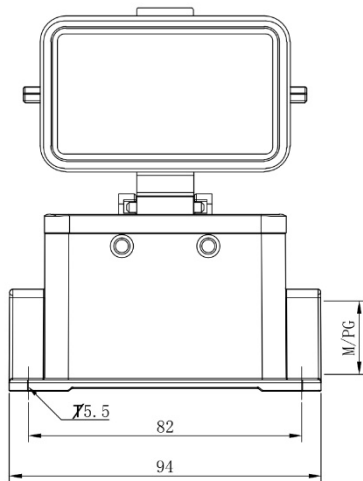
Dimensional line drawings

Surface Mount 4 Locking Points Single Cable Opening with Plastic Cover

M20 = 208-4812

M25 = 208-4813

PG16 = 208-4815



Technical specification:

- Material: Aluminium die-cast
- Material, cover: PC
- Surface: powder-coated
- Colour: (grey)
- Temperature range:
 - 40°C - +125°C
- Degree of Protection: IP65
(acc.to IEC 60529 for coupled connector)
- Cable entry: side entry
- No. of cable entries: 1
- Thread size: M/PG
- Hoods/Housings sealing: NBR

Dimensional line drawings

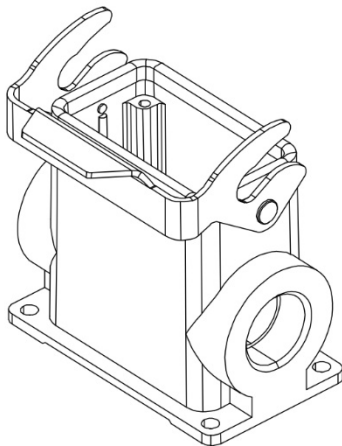
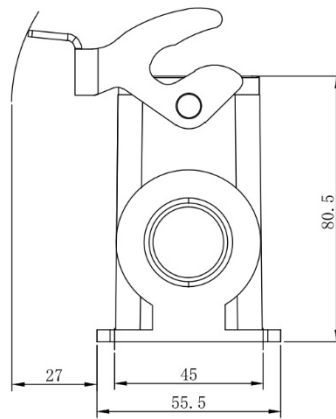
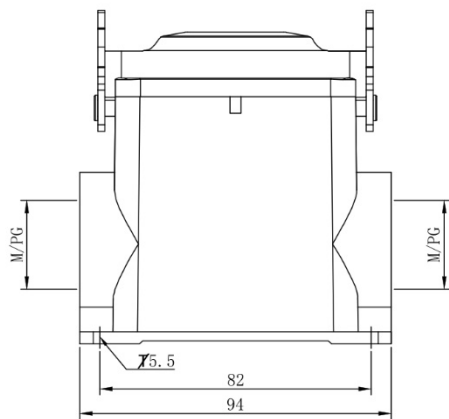
High Surface Mount 1 Locking Lever 2 Cable Openings

2xM25 = 208-4819

2xM32 = 208-4821

2xPG21 = 208-4822

2xPG29 = 208-4823



Technical specification:

- Material: Aluminium die-cast
- Surface: powder-coated
- Colour: (grey)
- Temperature range:
 - 40°C - +125°C
- Degree of Protection: IP65
(acc.to IEC 60529 for coupled connector)
- Locking element:
 - locking type: single locking latch
 - material: metal galvanized/nickel plating
- Cable entry: side entry
- No. of cable entries: 2
- Thread size: M/PG
- Hoods/Housings sealing: NBR

Dimensional line drawings

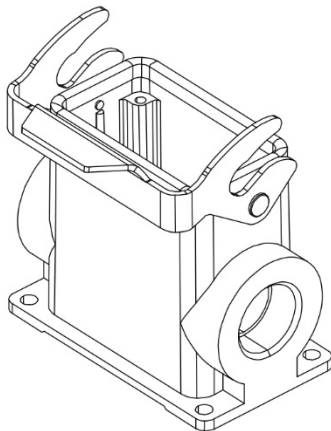
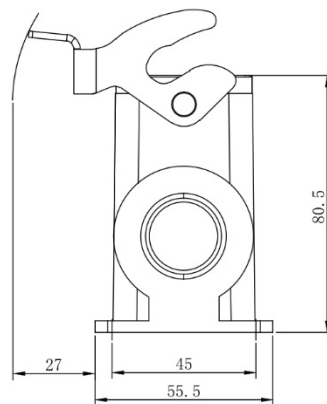
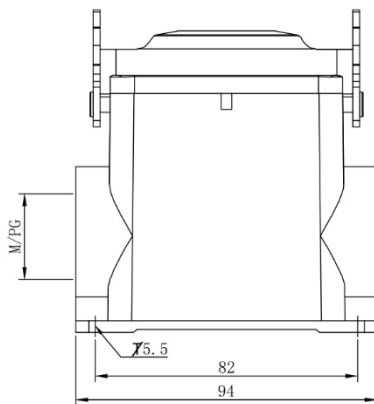
High Surface Mount 1 Locking Lever Single Cable Opening

M25 = 208-4832

M32 = 208-4833

PG21 = 208-4834

PG29 = 208-4835



Technical specification:

- Material: Aluminium die-cast
- Surface: powder-coated
- Colour: (grey)
- Temperature range:
 - 40°C - +125°C
- Degree of Protection: IP65
(acc.to IEC 60529 for coupled connector)
- Locking element:
 - locking type: single locking latch
 - material: metal galvanized/nickel plating
- Cable entry: side entry
- No. of cable entries: 1
- Thread size: M/PG
- Hoods/Housings sealing: NBR

Dimensional line drawings

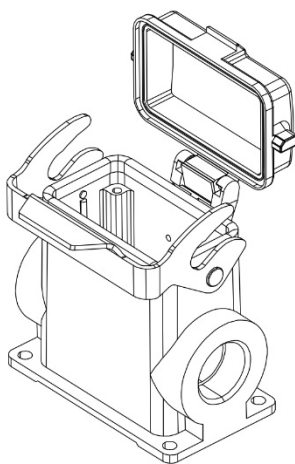
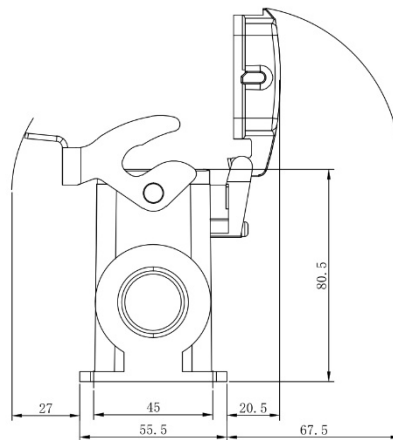
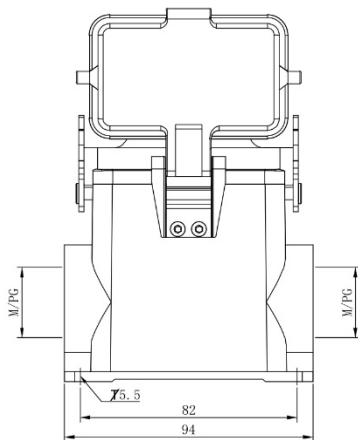
High Surface Mount 1 Locking Lever 2 Cable Openings with Plastic Cover

2xM25 = 208-4824

2xM32 = 208-4825

2xPG21 = 208-4826

2xPG29 = 208-4827



Technical specification:

- Material: Aluminium die-cast
- Material, cover: PC
- Surface: powder-coated
- Colour: (grey)
- Temperature range:
 - 40°C - +125°C
- Degree of Protection: IP65
(acc.to IEC 60529 for coupled connector)
- Locking element:
 - locking type: single locking latch
 - material: metal galvanized/nickel plating
- Cable entry: side entry
- No. of cable entries: 2
- Thread size: M/PG
- Hoods/Housings sealing: NBR

Dimensional line drawings

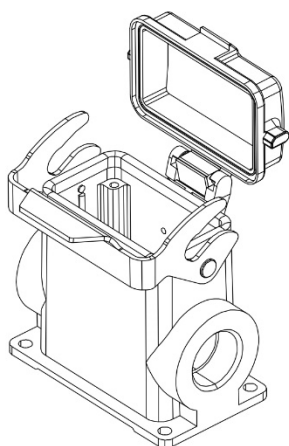
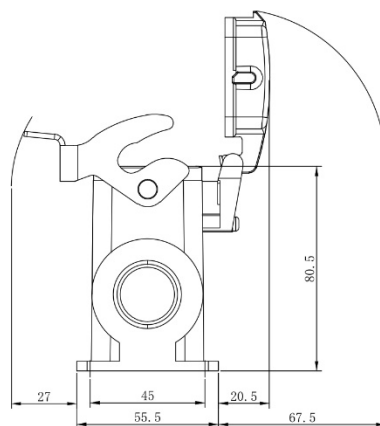
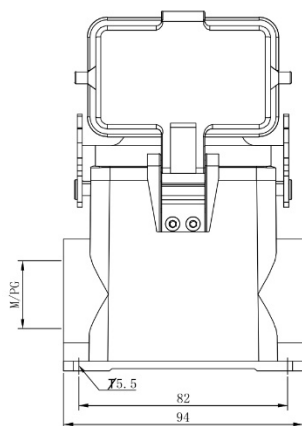
High Surface Mount 1 Locking Lever Single Cable Opening with Plastic Cover

M25 = 208-4828

M32 = 208-4829

PG21 = 208-4830

PG29 = 208-4831



Technical specification:

- Material: Aluminium die-cast
- Material, cover: PC
- Surface: powder-coated
- Colour: (grey)
- Temperature range:
 - 40°C - +125°C
- Degree of Protection: IP65
(acc.to IEC 60529 for coupled connector)
- Locking element:
 - locking type: single locking latch
 - material: metal galvanized/nickel plating
- Cable entry: side entry
- No. of cable entries: 1
- Thread size: M/PG
- Hoods/Housings sealing: NBR

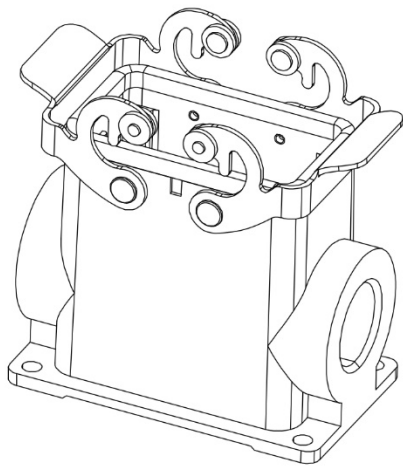
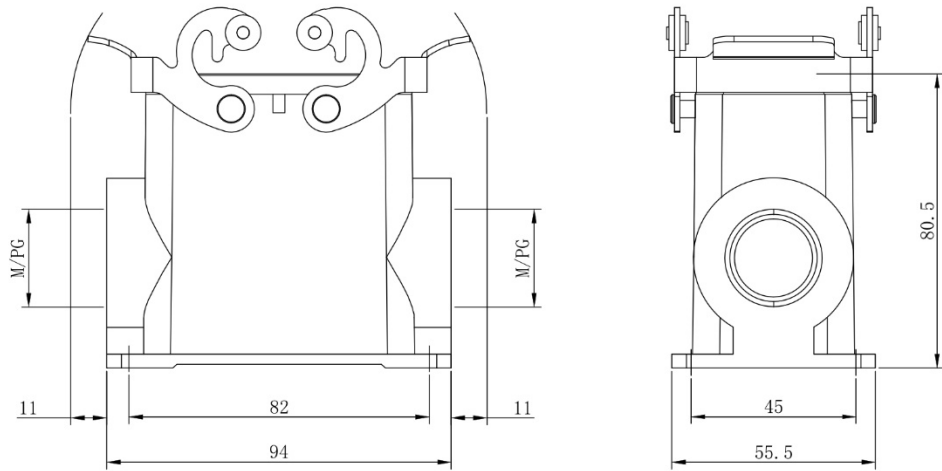
Dimensional line drawings

High Surface Mount 2 Locking Levers 2 Cable Openings 2xM25 = 208-4837

2xM32 = 208-4838

2xPG21 = 208-4839

2xPG29 = 208-4840



Technical specification:

- Material: Aluminium die-cast
- Surface: powder-coated
- Colour: (grey)
- Temperature range:
 - 40 °C - +125 °C
- Degree of Protection: IP65
(acc.to IEC 60529 for coupled connector)
- Locking element:
 - locking type: double locking latch
 - material: stainless steel
- Cable entry: side entry
- No. of cable entries: 2
- Thread size: M/PG
- Hoods/Housings sealing: NBR

Dimensional line drawings

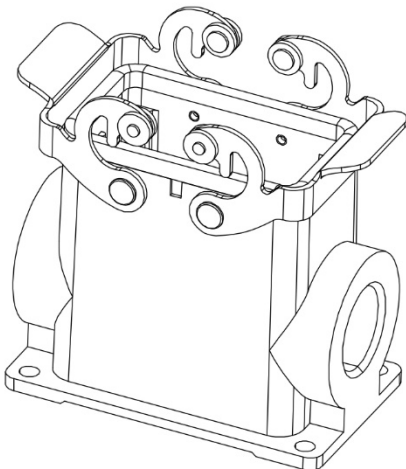
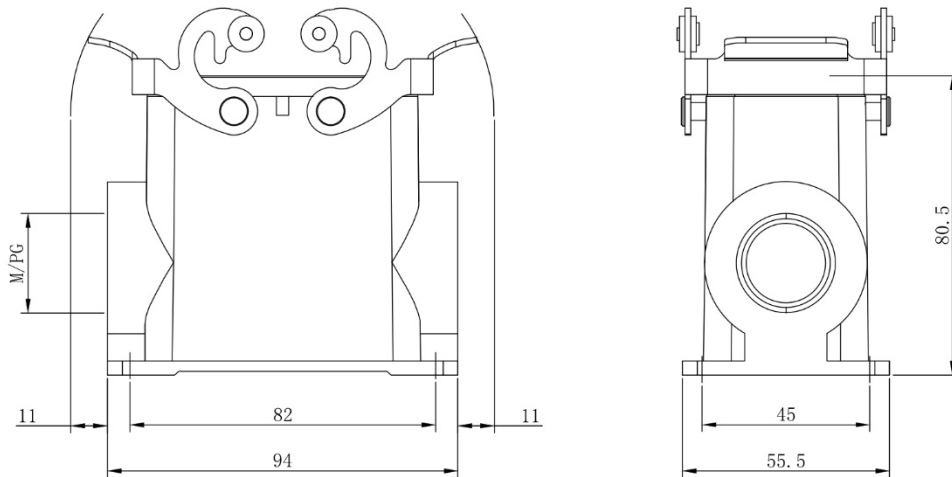
High Surface Mount 2 Locking Levers Single Cable Opening

M25 = 208-4841

M32 = 208-4842

PG21 = 208-4843

PG29 = 208-4844



Technical specification:

- Material: Aluminium die-cast
- Surface: powder-coated
- Colour: (grey)
- Temperature range:
 - 40 °C - +125 °C
- Degree of Protection: IP65
(acc.to IEC 60529 for coupled connector)
- Locking element:
 - locking type: double locking latch
 - material: stainless steel
- Cable entry: side entry
- No. of cable entries: 1
- Thread size: M/PG
- Hoods/Housings sealing: NBR

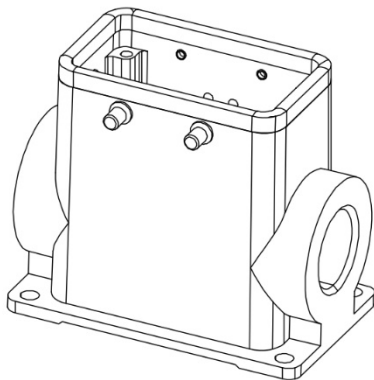
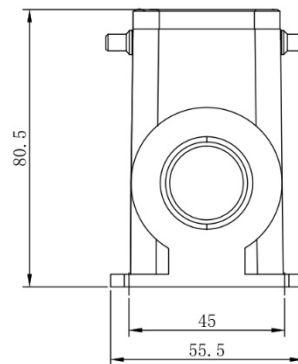
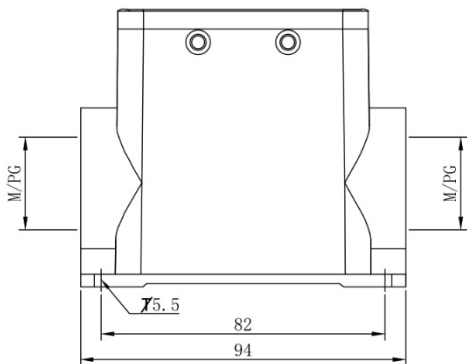
Dimensional line drawings

High Surface Mount 4 Locking Points 2 Cable Openings 2xM25
= 208-4845

2xM32 = 208-4846

2xPG21 = 208-4847

2xPG29 = 208-4848



Technical specification:

- Material: Aluminium die-cast
- Surface: powder-coated
- Colour: (grey)
- Temperature range:
 - 40°C - +125°C
- Degree of Protection: IP65
(acc.to IEC 60529 for coupled connector)
- Cable entry: side entry
- No. of cable entries: 2
- Thread size: M/PG
- Hoods/Housings sealing: NBR

Dimensional line drawings

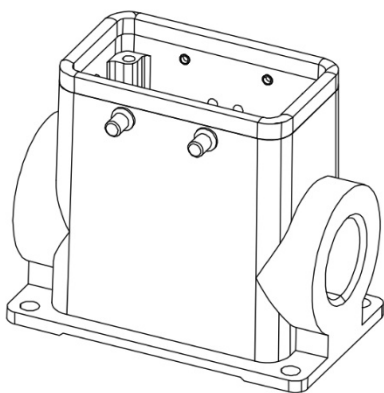
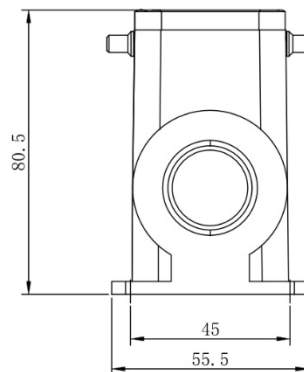
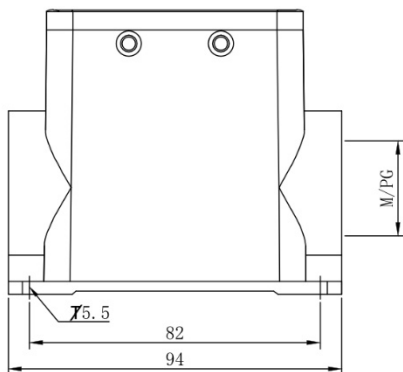
High Surface Mount 4 Locking Points Single Cable Opening

M25 = 208-4857

M32 = 208-4859

PG21 = 208-4860

PG29 = 208-4861



Technical specification:

- Material: Aluminium die-cast
- Surface: powder-coated
- Colour: (grey)
- Temperature range:
 - 40°C - +125°C
- Degree of Protection: IP65
(acc.to IEC 60529 for coupled connector)
- Cable entry: side entry
- No. of cable entries: 1
- Thread size: M/PG
- Hoods/Housings sealing: NBR

Dimensional line drawings

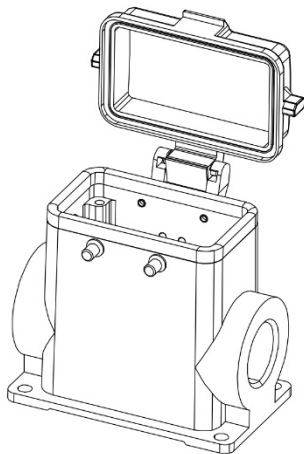
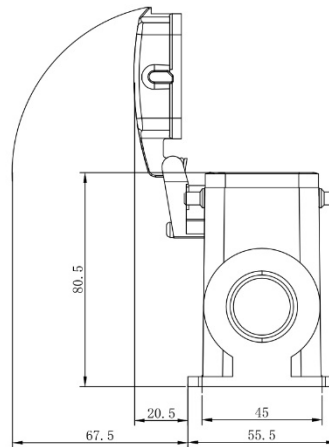
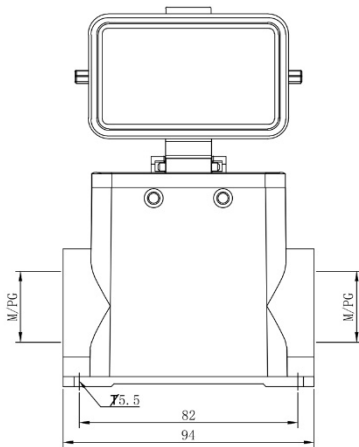
High Surface Mount 4 Locking Points 2 Cable Openings with Plastic Cover

2xM25 = 208-4849

2xM32 = 208-4850

2xPG21 = 208-4851

2xPG29 = 208-4852



Technical specification:

- Material: Aluminium die-cast
- Material, cover: PC
- Surface: powder-coated
- Colour: (grey)
- Temperature range:
 - 40°C - +125°C
- Degree of Protection: IP65
(acc.to IEC 60529 for coupled connector)
- Cable entry: side entry
- No. of cable entries: 2
- Thread size: M/PG
- Hoods/Housings sealing: NBR

Dimensional line drawings

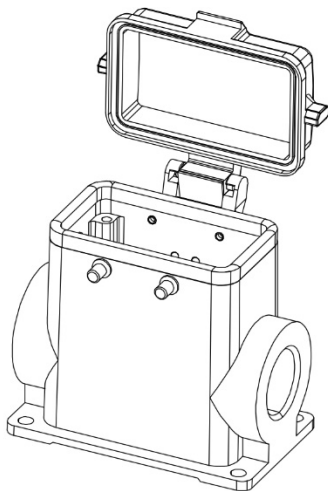
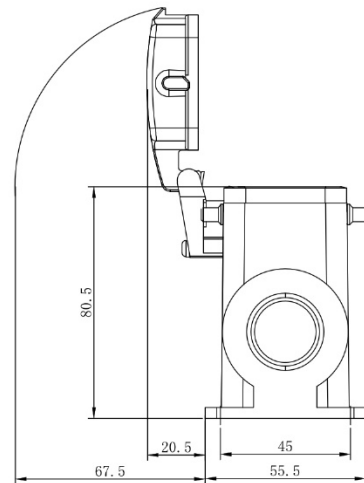
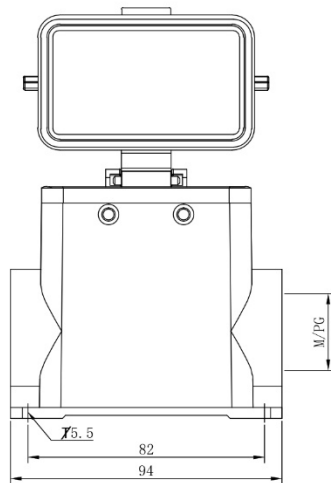
High Surface Mount 4 Locking Points Single Cable Opening with Plastic Cover

M25 = 208-4853

M32 = 208-4854

PG21 = 208-4855

PG29 = 208-4856



Technical specification:

- Material: Aluminium die-cast
- Material, cover: PC
- Surface: powder-coated
- Colour: (grey)
- Temperature range:
 - 40 °C - +125 °C
- Degree of Protection: IP65
(acc.to IEC 60529 for coupled connector)
- Cable entry: side entry
- No. of cable entries: 1
- Thread size: M/PG
- Hoods/Housings sealing: NBR

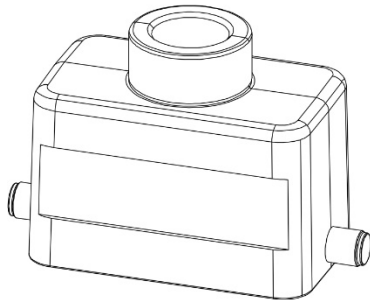
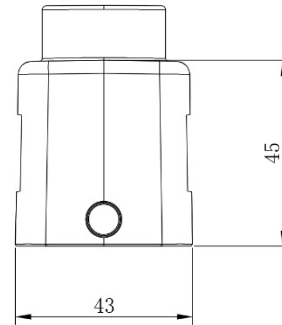
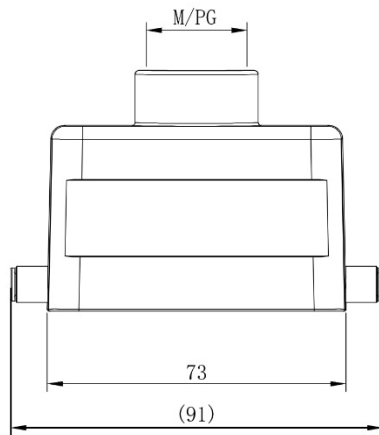
Dimensional line drawings

Top Entry Hood 2 Locking Points

M20 = 208-4862

M25 = 208-4863

PG16 = 208-4865



Technical specification:

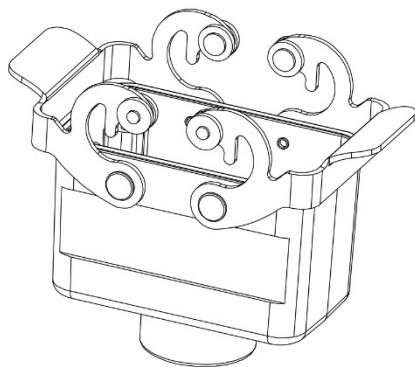
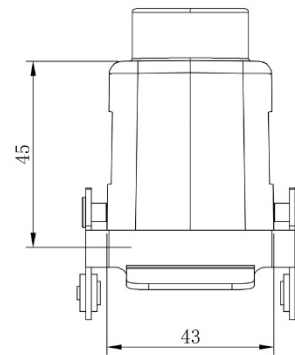
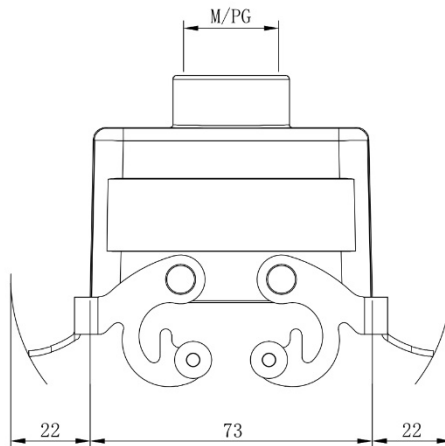
- Material: Aluminium die-cast
- Surface: powder-coated
- Colour: (grey)
- Temperature range: -40°C - +125°C
- Degree of Protection: IP65
(acc.to IEC 60529 for coupled connector)
- Cable entry: top entry
- No. of cable entries: 1
- Thread size: M/PG

Dimensional line drawings

Top Entry Hood 2 Locking Levers

M20 = 208-4866

PG16 = 208-4867



Technical specification:

- Material: Aluminium die-cast
- Surface: powder-coated
- Colour: (grey)
- Temperature range:
 - 40°C - +125°C
- Degree of Protection: IP65
(acc.to IEC 60529 for coupled connector)
- Locking element:
 - locking type: double locking latch
 - material: stainless steel
- Cable entry: top entry
- No. of cable entries: 1
- Thread size: M/PG

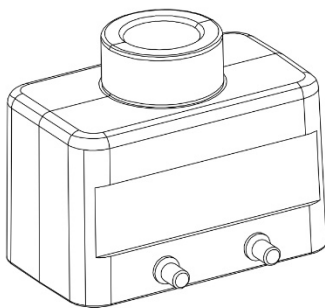
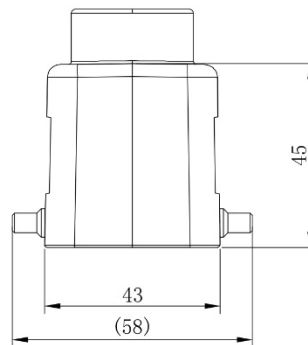
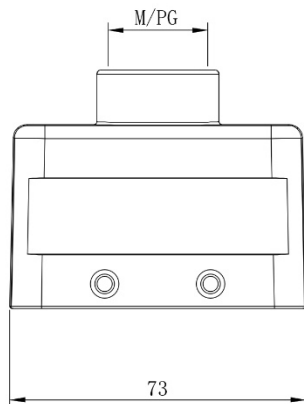
Dimensional line drawings

Top Entry Hood 4 Locking Points

M20 = 208-4868

M25 = 208-4869

PG16 = 208-4871



Technical specification:

- Material: Aluminium die-cast
- Surface: powder-coated
- Colour: (grey)
- Temperature range:
 - 40°C - +125°C
- Degree of Protection: IP65
(acc.to IEC 60529 for coupled connector)
- Cable entry: top entry
- No. of cable entries: 1
- Thread size: M/PG

Dimensional line drawings

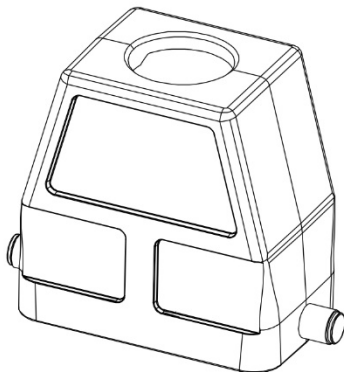
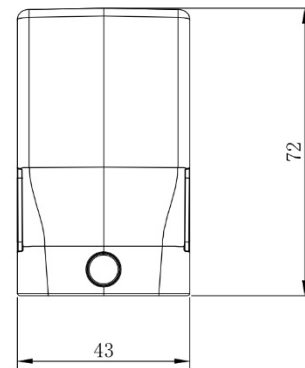
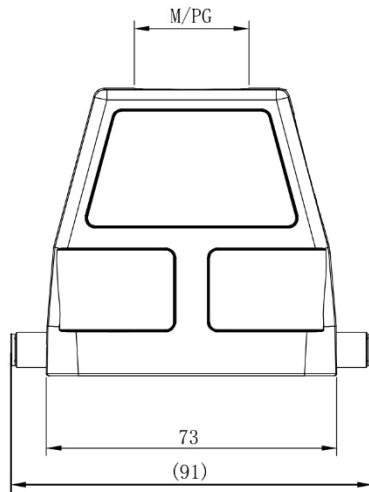
Top Entry High Hood 2 Locking Points

M25 = 208-4872

M32 = 208-4873

PG21 = 208-4874

PG29 = 208-4875



Technical specification:

- Material: Aluminium die-cast
- Surface: powder-coated
- Colour: (grey)
- Temperature range:
 - 40°C - +125°C
- Degree of Protection: IP65
(acc.to IEC 60529 for coupled connector)
- Cable entry: top entry
- No. of cable entries: 1
- Thread size: M/PG

Dimensional line drawings

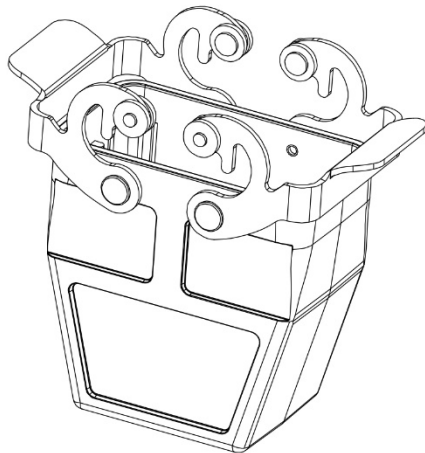
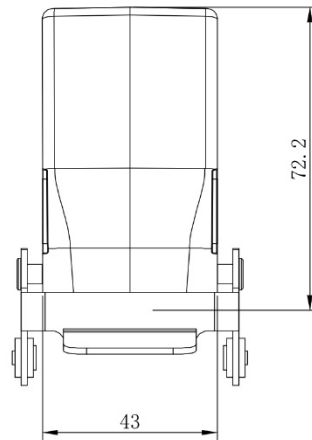
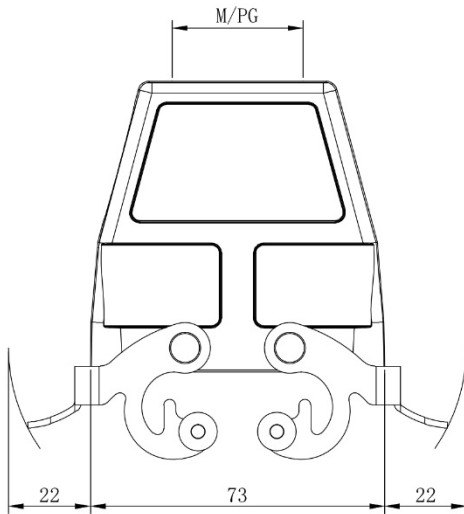
Top Entry High Hood 2 Locking Levers

M25 = 208-4876

M32 = 208-4877

PG21 = 208-4878

PG29 = 208-4879



Technical specification:

- Material: Aluminium die-cast
- Surface: powder-coated
- Colour: (grey)
- Temperature range:
 - 40°C - +125°C
- Degree of Protection: IP65
(acc.to IEC 60529 for coupled connector)
- Locking element:
 - locking type: double locking latch
 - material: stainless steel
- Cable entry: top entry
- No. of cable entries: 1
- Thread size: M/PG

Dimensional line drawings

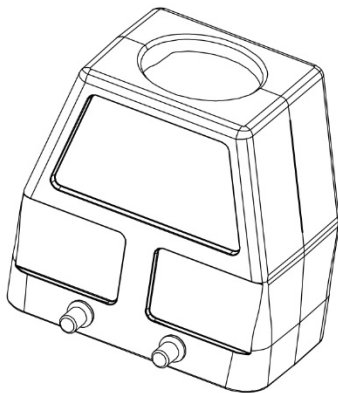
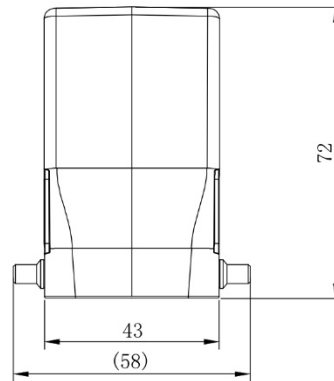
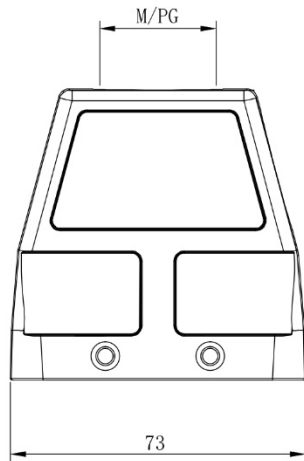
Top Entry High Hood 4 Locking Points

M25 = 208-4880

M32 = 208-4881

PG21 = 208-4882

PG29 = 208-4883



- Technical specification:
- Material: Aluminium die-cast
 - Surface: powder-coated
 - Colour: (grey)
 - Temperature range:
 - 40°C - +125°C
 - Degree of Protection: IP65
(acc.to IEC 60529 for coupled connector)
 - Cable entry: top entry
 - No. of cable entries: 1
 - Thread size: M/PG