



3 Way Electrically Actuated Stainless Steel Ball Valve 'L' Bore

1000 PSI Rated

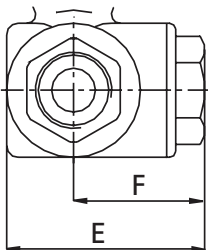
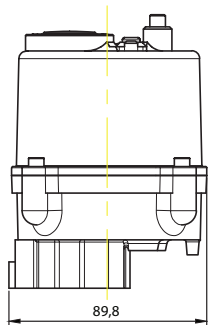
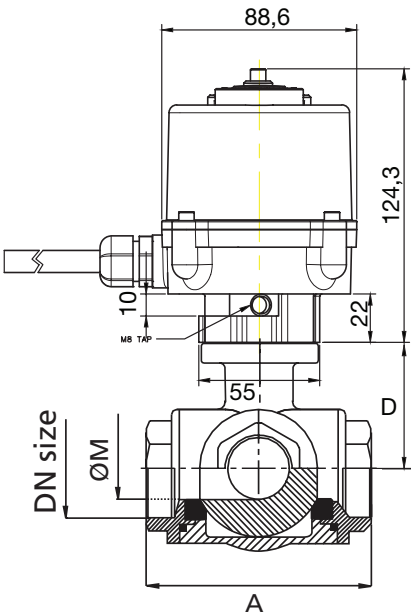
Article no. L bore	Size	Actuator Size
RS399063	1/2"	HQ003
RS399064	3/4"	HQ003
RS399065	1"	HQ003

Materials

Body	CF8M - 316 Stainless Steel
Ball	316 Stainless Steel
Stem Seal	PTFE
Ball Seal	PTFE
Temp. Range	+70°C*

Specifications - HQ003 Actuator

Enclosure Rated	Weather proof IP67
Motor	24V DC Motor
Supplying Voltage	Multi-Voltage(85~265VAC or 24VDC)
Limit Switches	2 x open/close SPDT, 250 VAC 6A rating
Auxiliary Limit Switches	2 x open/close SPDT, 250 VAC 6A rating
Torque Switch	N/A
Travel Angle	90 degree
Indicator	LED lamp Indicator(Open/Close)
Heater	N/A
Manual Override	Push Button with Manual lever
Conduit Entries	1 X PG11 with 3m flying lead. 11 wires
Ambient Temperature	-20 ~ + 60
External Coating	Polyester Powder Coating
Base and Bore	ISO5211(F03/04/05) & 11mm Double Square



Model	Max. Torque (Nm)	Rated Current			Electric Motor Stop	Operating time	Bore Size	Base (ISO5211)
		110VAC	220VAC	24VDC				
HQ-003	30	0.12A	0.06A	0.46A	2.0A	12sec	11mm Star	

Overall Dimensions

Dia Size ins.	A	D	E	F	ØM
1/2"	72	42	61.46	36	11
3/4"	83	46.5	73.63	41.5	16
1"	110	55	84.30	55	20