





Datasheet

RS PRO SP11 Panel Mount Connector



Technical Specifications:

Number of contact	2	3	4	5
Male contact face view				
Rated current (A)	5	5	3	3
Contact diameter(mm)	1	1	0.7	0.7
Rated voltage(AC.V)	180	180	125	125
Test voltage(AC.V)1 min	1000	1000	1000	1000
Contact resistance (mΩ)	5	5	10	10
Wire size (mm ² /AWG)	≤0.785/18	≤0.785/18	≤0.785/18	≤0.785/18

Product Details

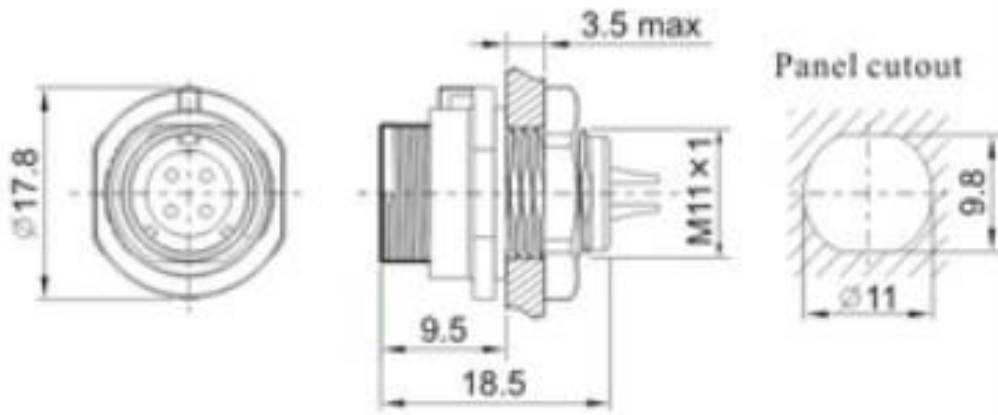
The RS PRO SP11 series is a range of small but robust waterproof connectors, which are sealed to IP68. Threaded coupling ensures a secure connection, even in extremely harsh environments.

Versions are available for in-line cable to cable and for cable to panel connections. Plugs and receptacles are available with either male pins or female sockets. These products are especially suited for use in indoor or outdoor applications where space is at a premium.

Features and Benefits

- Threaded Coupling
- IP68
- 2-5 Poles
- Cable to Cable and Cable to Panel Connections

Dimensional line drawings



Quality Standards

