

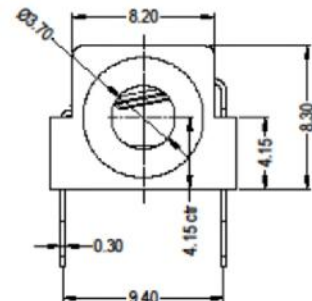
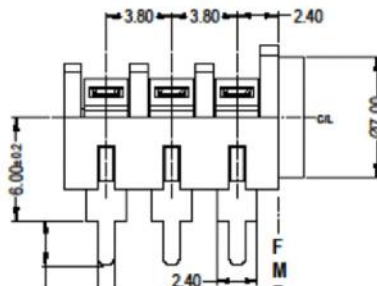
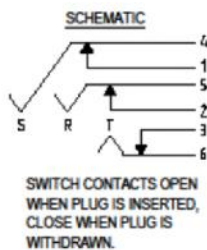
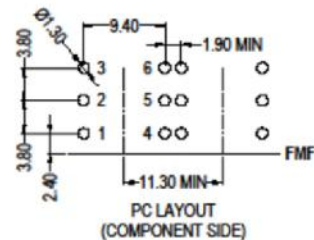
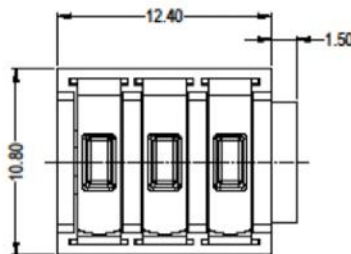
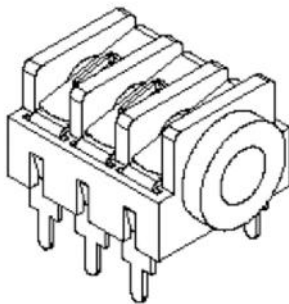


ENGLISH

## Datasheet

# RS PRO 3.5mm PCB Mount Stereo Jack Socket, 3 Pole, Gold Plated

Stock No: 175-0157



## SPECIFICATIONS

- WITHSTAND VOLTAGE: 2000V DC min
- MAXIMUM CURRENT: 5A
- TEMPERATURE RANGE: -10°C TO +70°C
- LIFE (MINIMUM): 5,000+ OPERATIONS [rspro.com](http://rspro.com)
- CONTACT RESISTANCE <50mΩ