



Datasheet

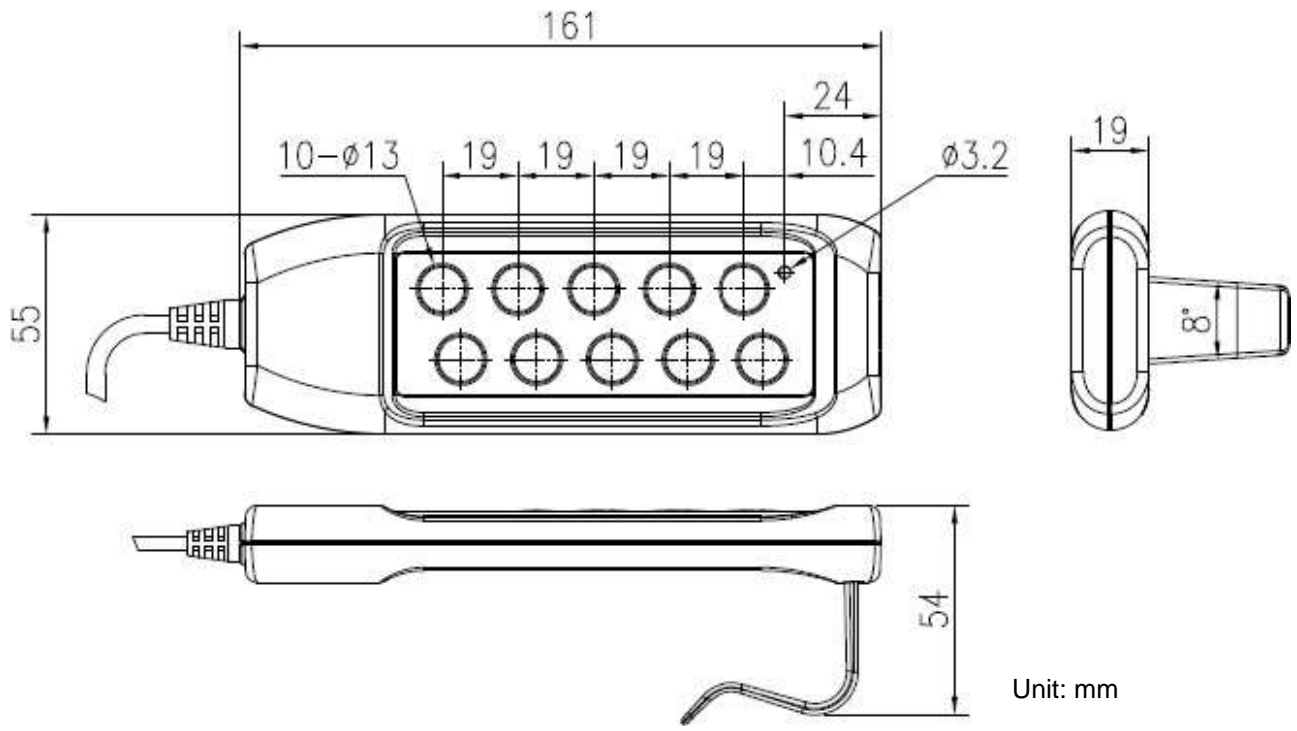
RS PRO Stock No : 2180871

EN



- ◆ This HC handset can work with the MD7C control boxes only.
- ◆ Max. number of motors this handset can drive : 1
- ◆ Available number of buttons : 2
- ◆ Housing appearance & colour : Light Grey (RAL 7035)
- ◆ Cable type and length : total 880mm long with 420mm spiral cable
- ◆ LED Indicator
- ◆ With hook

rspro.com



Unit: mm

Code	A		F	
Motors	1 drive		4 drives	
Button Definition			1+	1-
	1+	1-	1+2+	1-2-
			2+	2-
			3+	3-
			4+	4-
Communication Type	P1		P1	
Artwork				

