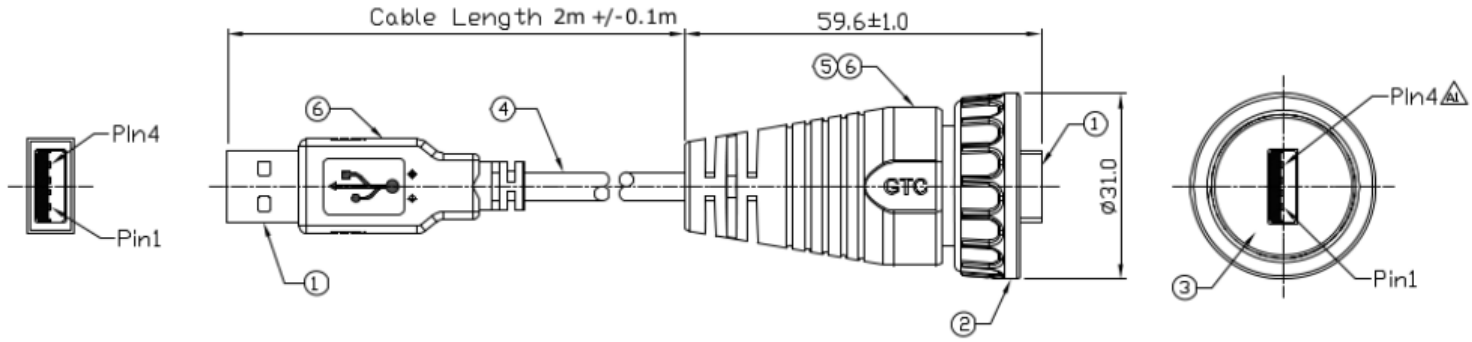




Notes: (Unless Otherwise Specified)  
 1. Waterproof Rate: IP68.  
 2. RoHS Compliance.

REV	ECN#	DESCRIPTION OF REVISION	DRAW BY DATE	CHECK BY DATE	APPROVE BY DATE
A0		Mass Production	Karen 04/20/09	Ray 04/20/09	Ray 04/20/09
A1		Marked	Karen 05/06/09	Ray 05/06/09	Ray 05/06/09
A2	CH-101001	Marked	Vicky 10/11/10	Ray 10/11/10	Ray 10/11/10



Item	Part Name	Material / Finish	Qty
6	Over Mold	PVC Color: Black	2
5	Inner Mold	Thermal Plastic Color: Black Or White	1
4	Cable	UL2725 1P*28AWG+2C*24AWG+AI/Ny+D+B Color: Black, DD=5.0mm	1
3	Rubber Pad	Silicone Color: Black	1
2	Screw Nut	Zn Alloy Finish: Ni Plated	1
1	USB-A Plug	Housing: Thermal Plastic, Color: Black Contacts: Copper Alloy, Finish: Au Plated Shell: Cold Roll Steel, Finish: Ni Plated	2

1	Red
2	White
3	Green
4	Black
Shell	Drain

Mating Parts:  
 122-3021  
 122-3022  
 122-3024

Wiring Diagram

TITLE							REV.		
USB-A Metal C4 Cable End Plug Screw With USB-A Plug							A2		
	B	1:1	Karen 04/20/09	Ray 04/20/09	Ray 04/20/09	X.X ± 0.5 X.XX ± 0.2	X.XXX ± 0.05 ANGLES ± 1°	mm	1/1
THIRD ANGLE PROJECTION	SIZE	SCALE	DRAW / DATE	CHECK / DATE	APPROVE / DATE	TOLERANCES		UNIT	SHEET

RS Stock No  
 122-3023