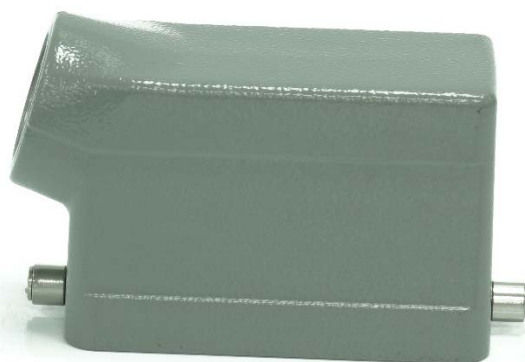


Datasheet

RS PRO RS-H16B Heavy Duty Housing



The RS PRO Heavy-Duty Connector series is a full range of heavy-duty inserts, housings, crimps and accessories. The housing is produced from corrosion resistant, powder coated, die cast Aluminium with locking levers made from galvanized Iron. These are available in standard or tall variations with both single and double locking options and offer IP65 protection. Created for applications that are subjected to harsh environments or where high vibration can cause standard connectors to fail makes these connectors ideal for food & beverage manufacturing, packaging machines, conveyor belt systems, railway, oil & gas processing and other industrial automation. The entire range of connectors are RoHS compliant and as with all RS PRO products, offer exceptional value for money.

Features & Benefits:

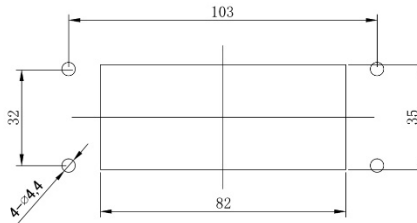
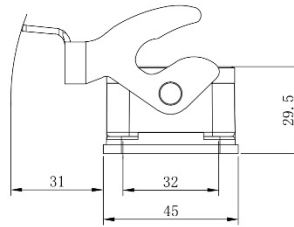
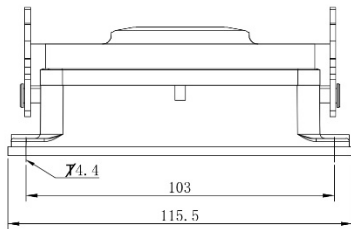
- Aluminium Die Cast Housing
- Powder Coated Surface
- IP65
- For use with PG or M style Cable Glands
- Fits RS PRO Heavy Duty Inserts

Quality Standards

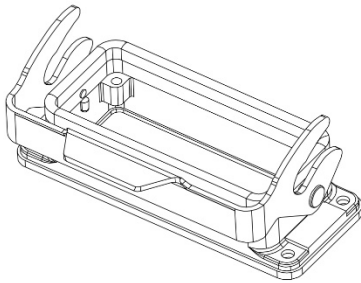


Dimensional line drawings

Bulkhead Mount 1 Locking Lever 208-4912



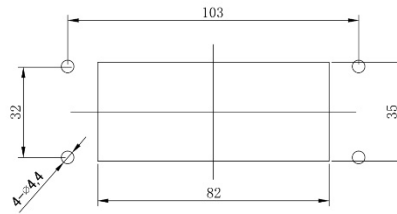
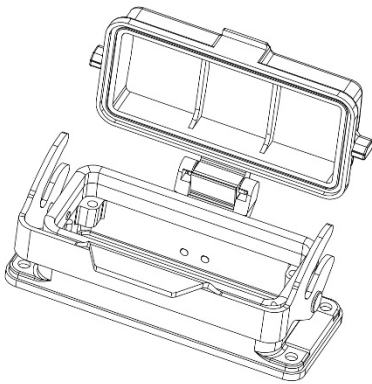
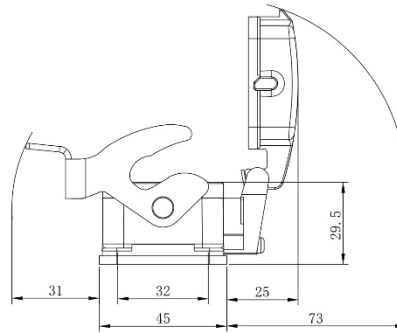
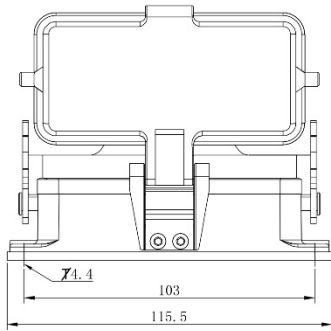
Panel cut out



- Technical specification:
- Material: Aluminium die-cast
 - Surface: powder-coated
 - Colour: (grey)
 - Temperature range:
 - 40°C - +125°C
 - Degree of Protection: IP65
(acc.to IEC 60529 for coupled connector)
 - Locking element:
 - locking type: single locking latch
 - material: metal galvanized/nickel plating
 - Cable entry: bottom entry
 - Hoods/Housings sealing: NBR

Dimensional line drawings

Bulkhead Mount 1 Locking Lever with Plastic Cover 208-4913



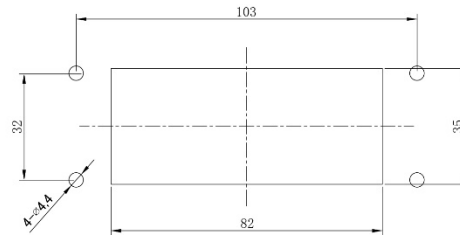
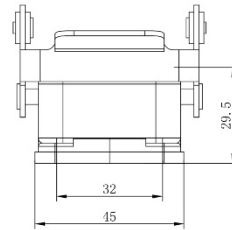
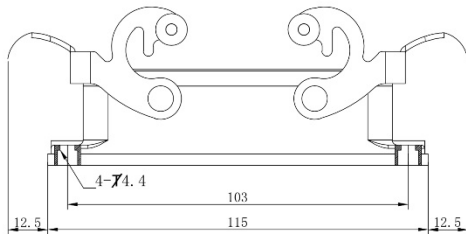
Panel cut out

Technical specification:

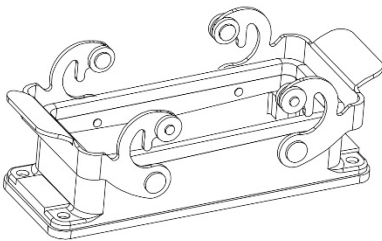
- Material: Aluminium die-cast
- Material, cover: PC
- Surface: powder-coated
- Colour: (grey)
- Temperature range:
 - 40°C - +125°C
- Degree of Protection: IP65
(acc.to IEC 60529 for coupled connector)
- Locking element:
 - locking type: single locking latch
 - material: metal galvanized/nickel plating
- Cable entry: bottom entry
- Hoods/Housings sealing: NBR

Dimensional line drawings

Bulkhead Mount 2 Locking Levers 208-4914



Panel cut out

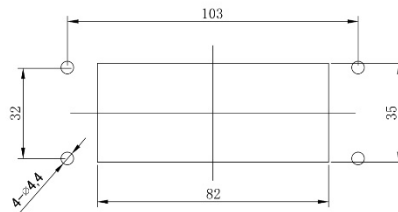
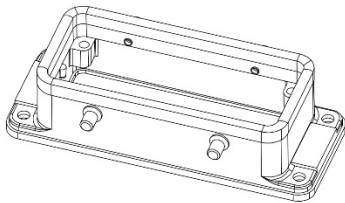
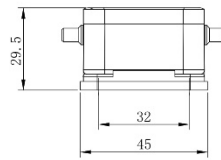
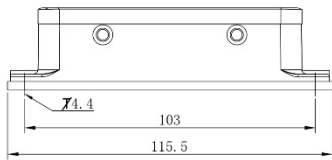


Technical specification:

- Material: Aluminium die-cast
- Surface: powder-coated
- Colour: (grey)
- Temperature range: -40°C - +125°C
- Degree of Protection: IP65
(acc.to IEC 60529 for coupled connector)
- Locking element:
 - locking type: double locking latch
 - material: stainless steel
- Cable entry: bottom entry
- Hoods/Housings sealing: NBR

Dimensional line drawings

Bulkhead Mount 4 Locking Points 208-4916

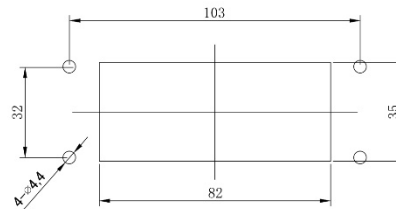
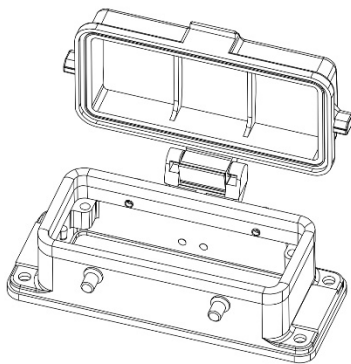
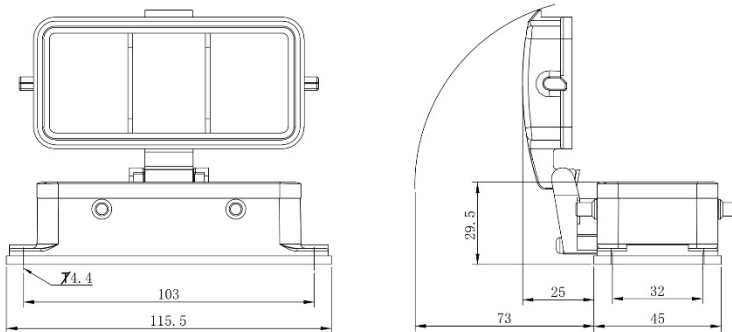


Panel cut out

- Technical specification:
- Material: Aluminium die-cast
 - Surface: powder-coated
 - Colour: (grey)
 - Temperature range:
 - 40°C - +125°C
 - Degree of Protection: IP65
(acc.to IEC 60529 for coupled connector)
 - Cable entry: bottom entry
 - Hoods/Housings sealing: NBR

Dimensional line drawings

Bulkhead Mount 4 Locking Points with Plastic Cover 208-4917



Panel cut out

- Technical specification:
- Material: Aluminium die-cast
 - Material, cover: PC
 - Surface: powder-coated
 - Colour: (grey)
 - Temperature range:
 - 40 °C - +125 °C
 - Degree of Protection: IP65
(acc.to IEC 60529 for coupled connector)
 - Cable entry: bottom entry
 - Hoods/Housings sealing: NBR

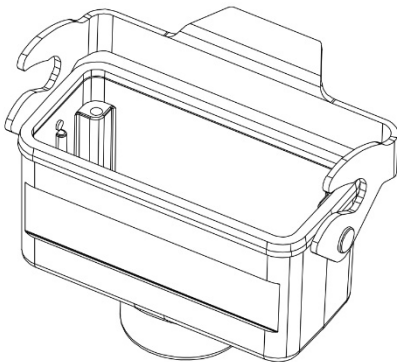
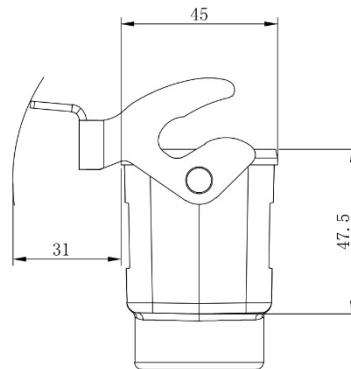
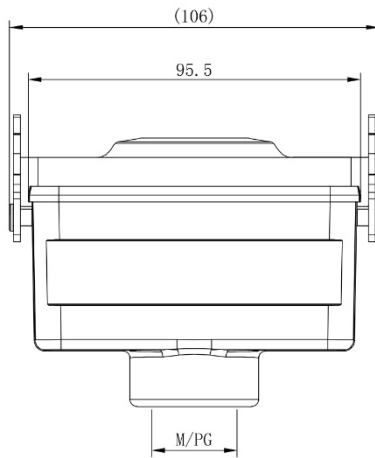
Dimensional line drawings

Cable to Cable 1 Locking Lever

M25 = 208-4918

M32 = 208-4919

PG21 = 208-4920



Technical specification:

- Material: Aluminium die-cast
- Surface: powder-coated
- Colour: (grey)
- Temperature range:
 - 40 °C - +125 °C
- Degree of Protection: IP65
(acc.to IEC 60529 for coupled connector)
- Locking element:
 - locking type: single locking latch
 - material: metal galvanized/nickel plating
- Cable entry: top entry
- No. of cable entries: 1
- Thread size: M/PG
- Hoods/Housings sealing: NBR

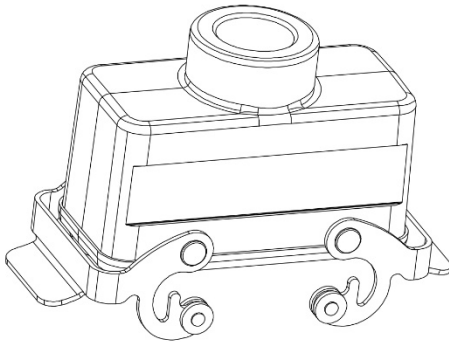
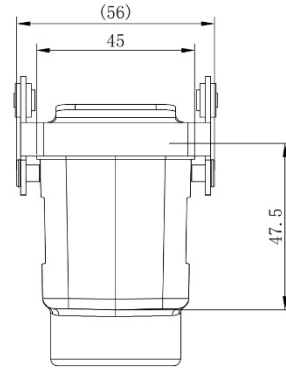
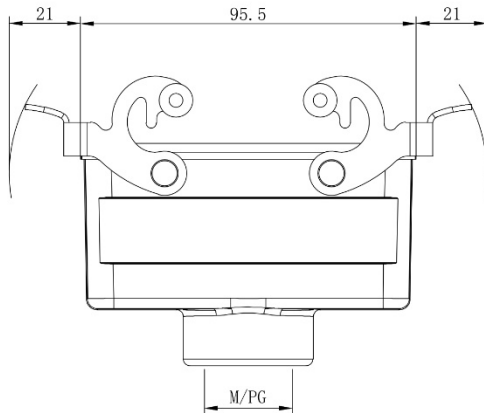
Dimensional line drawings

Cable to Cable 2 Locking Levers

M25 = 208-4922

M32 = 208-4923

PG21 = 208-4924



Technical specification:

- Material: Aluminium die-cast
- Surface: powder-coated
- Colour: (grey)
- Temperature range:
 - 40°C - +125°C
- Degree of Protection: IP65
(acc.to IEC 60529 for coupled connector)
- Locking element:
 - locking type: double locking latch
 - material: stainless steel
- Cable entry: top entry
- No. of cable entries: 1
- Thread size: M/PG
- Hoods/Housings sealing: NBR

Dimensional line drawings

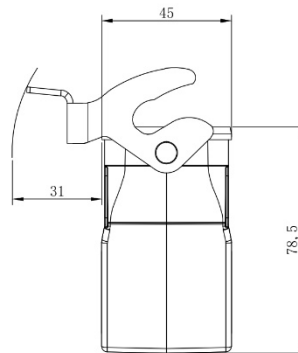
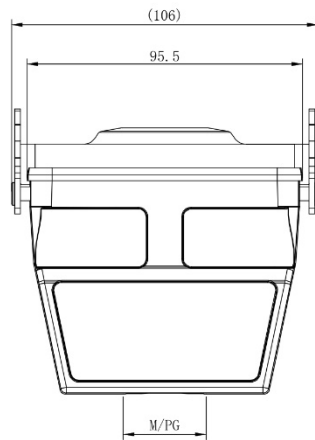
Cable to Cable High 1 Locking Lever

M32 = 208-4925

M40 = 208-4926

PG21 = 208-4927

PG29 = 208-4928



Technical specification:

- Material: Aluminium die-cast
- Surface: powder-coated
- Colour: (grey)
- Temperature range:
 - 40 °C - +125 °C
- Degree of Protection: IP65
(acc.to IEC 60529 for coupled connector)
- Locking element:
 - locking type: single locking latch
 - material: metal galvanized/nickel plating
- Cable entry: top entry
- No. of cable entries: 1
- Thread size: M/PG
- Hoods/Housings sealing: NBR

Dimensional line drawings

Cable to Cable High 2 Locking Levers

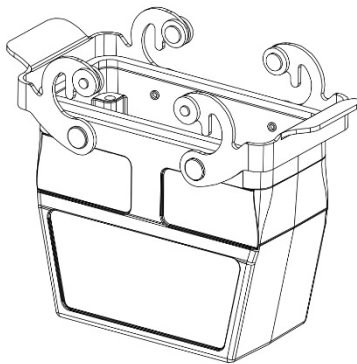
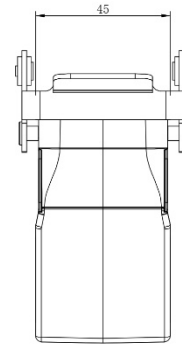
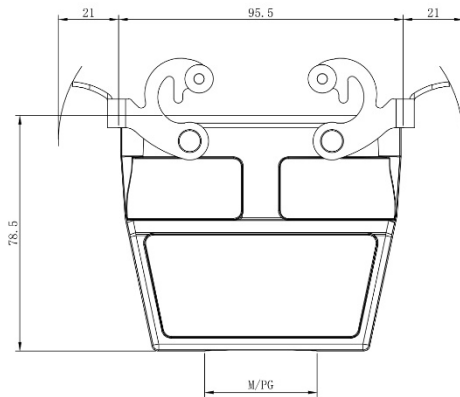
M25 = 208-4929

M32 = 208-4930

M40 = 208-4931

PG21 = 208-4932

PG29 = 208-4933



- Technical specification:
- Material: Aluminium die-cast
 - Surface: powder-coated
 - Colour: (grey)
 - Temperature range:
 - 40°C - +125°C
 - Degree of Protection: IP65
(acc.to IEC 60529 for coupled connector)
 - Locking element:
 - locking type: double locking latch
 - material: stainless steel
 - Cable entry: top entry
 - No. of cable entries: 1
 - Thread size: M/PG
 - Hoods/Housings sealing: NBR

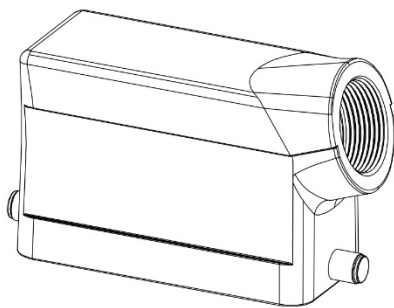
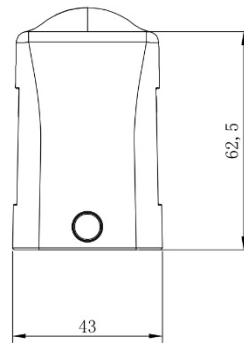
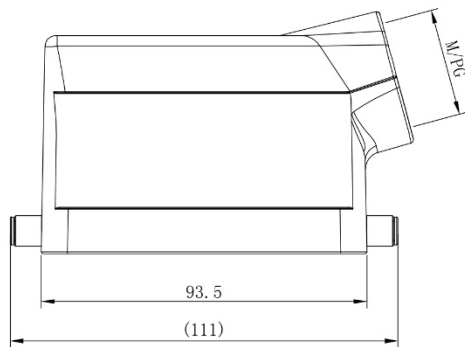
Dimensional line drawings

Side Entry Hood 2 Locking Points

M25 = 208-4934

M32 = 208-4935

PG21 = 208-4936



Technical specification:

- Material: Aluminium die-cast
- Surface: powder-coated
- Colour: (grey)
- Temperature range:
 - 40°C - +125°C
- Degree of Protection: IP65
(acc.to IEC 60529 for coupled connector)
- Cable entry: side entry
- No. of cable entries: 1
- Thread size: M/PG

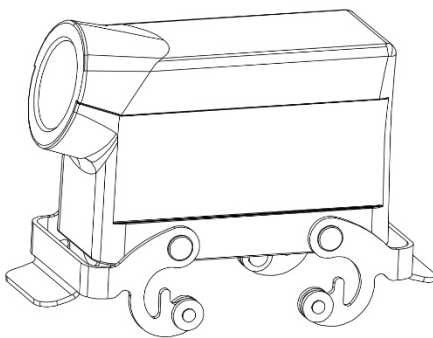
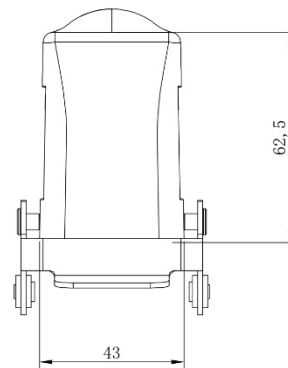
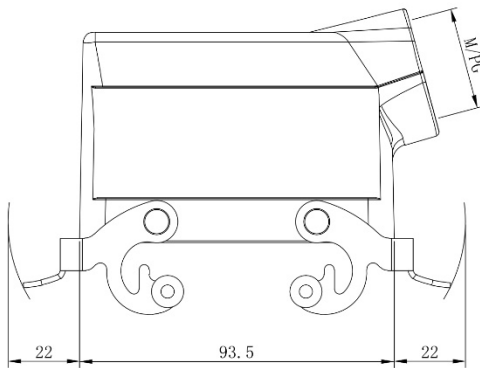
Dimensional line drawings

Side Entry Hood 2 Locking Levers

M25 = 208-4938

M32 = 208-4939

PG21 = 208-4940



Technical specification:

- Material: Aluminium die-cast
- Surface: powder-coated
- Colour: (grey)
- Temperature range:
 - 40°C - +125°C
- Degree of Protection: IP65
(acc.to IEC 60529 for coupled connector)
- Locking element:
 - locking type: double locking latch
 - material: stainless steel
- Cable entry: side entry
- No. of cable entries: 1
- Thread size: M/PG

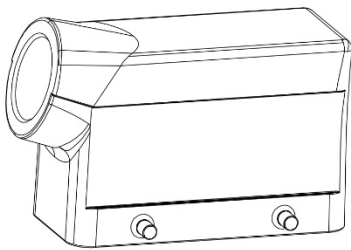
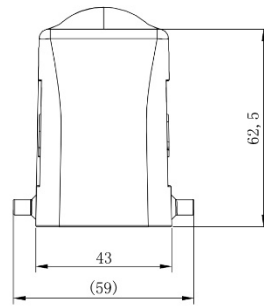
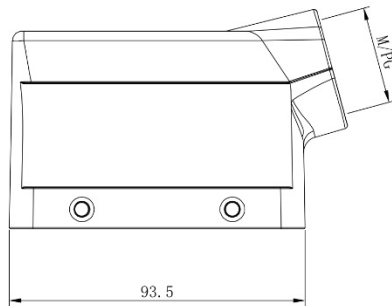
Dimensional line drawings

Side Entry Hood 4 Locking Points

M25 = 208-4941

M32 = 208-4942

PG21 = 208-4944



Technical specification:

- Material: Aluminium die-cast
- Surface: powder-coated
- Colour: (grey)
- Temperature range:
 - 40°C - +125°C
- Degree of Protection: IP65
(acc.to IEC 60529 for coupled connector)
- Cable entry: side entry
- No. of cable entries: 1
- Thread size: M/PG

Dimensional line drawings

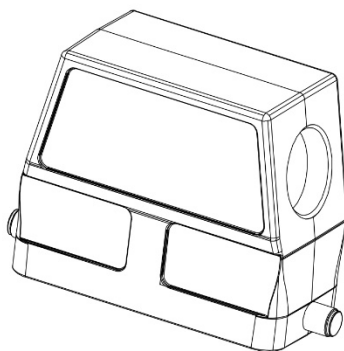
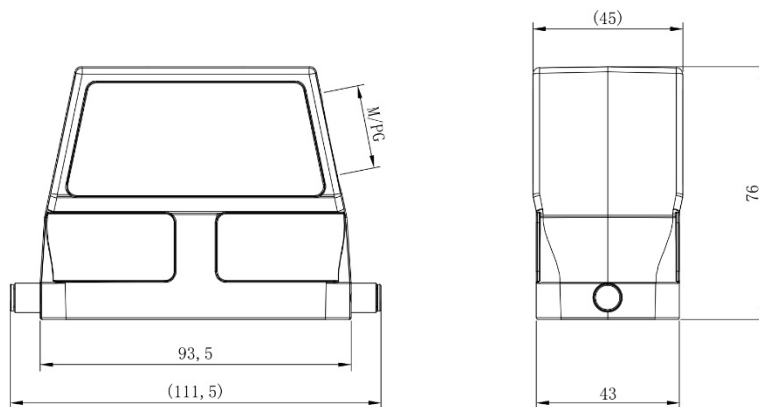
Side Entry High Hood 2 Locking Points

M32 = 208-4945

M40 = 208-4946

PG21 = 208-4947

PG29 = 208-4948



Technical specification:

- Material: Aluminium die-cast
- Surface: powder-coated
- Colour: (grey)
- Temperature range:
 - 40°C - +125°C
- Degree of Protection: IP65
(acc.to IEC 60529 for coupled connector)
- Cable entry: side entry
- No. of cable entries: 1
- Thread size: M/PG

Dimensional line drawings

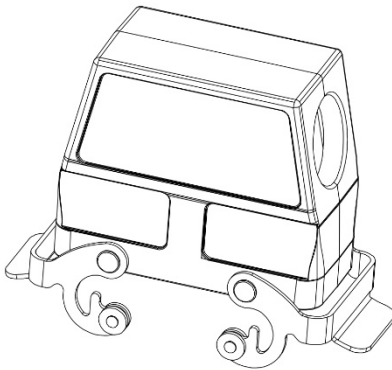
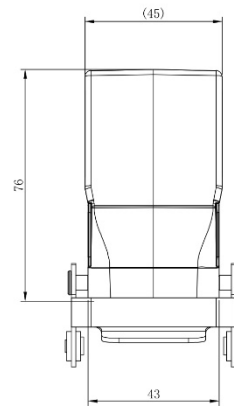
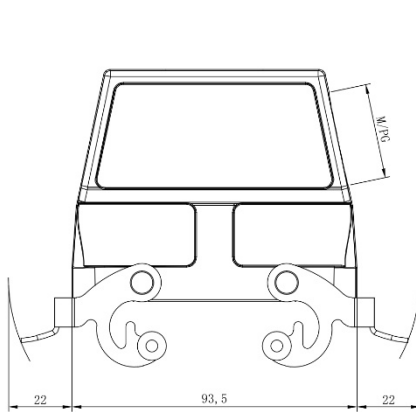
Side Entry High Hood 2 Locking Levers

M32 = 208-4949

M40 = 208-4950

PG21 = 208-4951

PG29 = 208-4952



Technical specification:

- Material: Aluminium die-cast
- Surface: powder-coated
- Colour: (grey)
- Temperature range: -40°C - +125°C
- Degree of Protection: IP65
(acc.to IEC 60529 for coupled connector)
- Locking element:
 - locking type: double locking latch
 - material: stainless steel
- Cable entry: side entry
- No. of cable entries: 1
- Thread size: M/PG

Dimensional line drawings

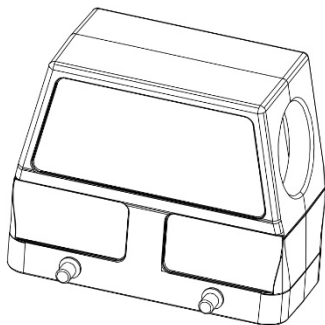
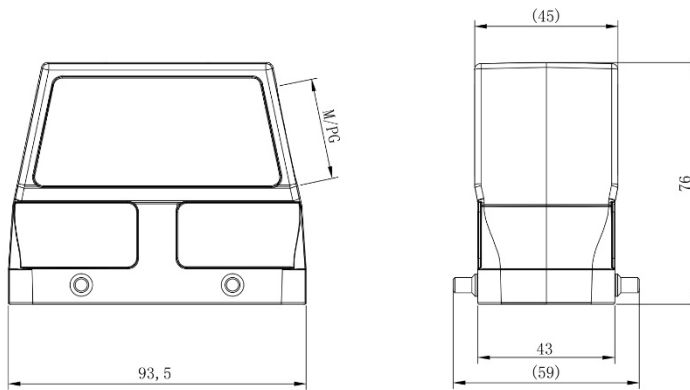
Side Entry High Hood 4 Locking Points

M32 = 208-4953

M40 = 208-4954

PG21 = 208-4955

PG29 = 208-4956



Technical specification:

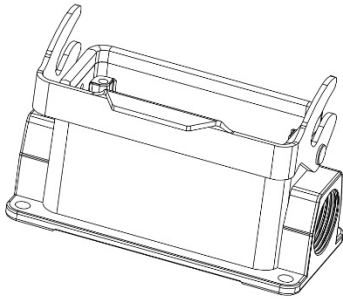
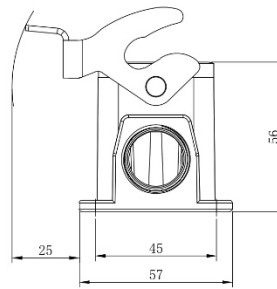
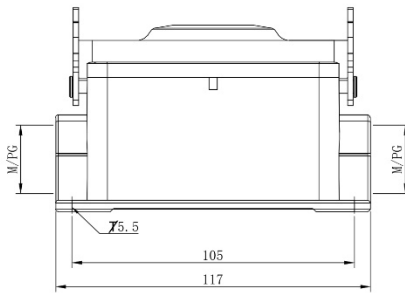
- Material: Aluminium die-cast
- Surface: powder-coated
- Colour: (grey)
- Temperature range:
 - 40°C - +125°C
- Degree of Protection: IP65
(acc.to IEC 60529 for coupled connector)
- Cable entry: side entry
- No. of cable entries: 1
- Thread size: M/PG

Dimensional line drawings

Surface Mount 1 Locking Lever 2 Cable Openings

2xM25 = 208-4957

2xPG21 = 208-4958



Technical specification:

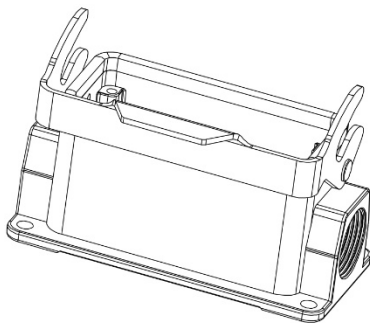
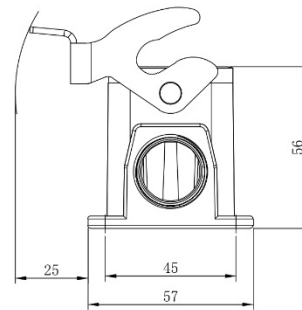
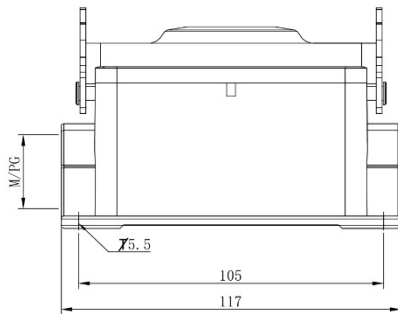
- Material: Aluminium die-cast
- Surface: powder-coated
- Colour: (grey)
- Temperature range:
 - 40°C - +125°C
- Degree of Protection: IP65
(acc.to IEC 60529 for coupled connector)
- Locking element:
 - locking type: single locking latch
 - material: metal galvanized/nickel plating
- Cable entry: side entry
- No. of cable entries: 2
- Thread size: M/PG
- Hoods/Housings sealing: NBR

Dimensional line drawings

Surface Mount 1 Locking Lever Single Cable Opening

M25 = 208-4964

PG21 = 208-4965



Technical specification:

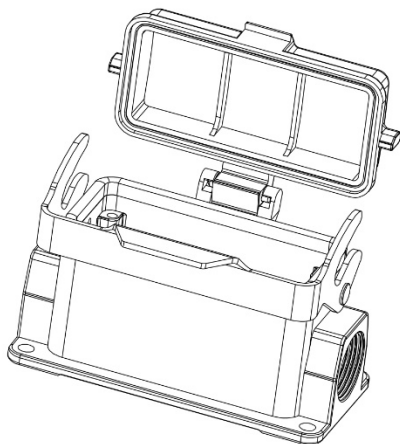
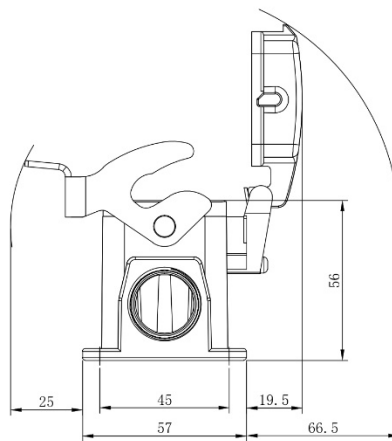
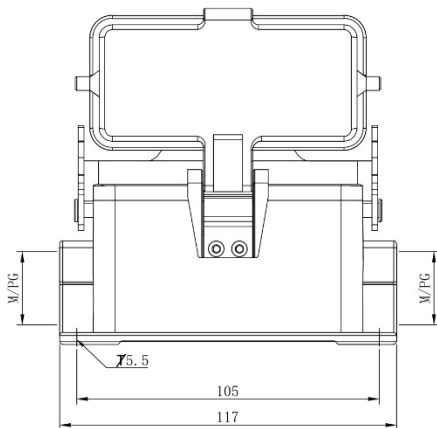
- Material: Aluminium die-cast
- Surface: powder-coated
- Colour: (grey)
- Temperature range:
 - 40°C - +125°C
- Degree of Protection: IP65
(acc.to IEC 60529 for coupled connector)
- Locking element:
 - locking type: single locking latch
 - material: metal galvanized/nickel plating
- Cable entry: side entry
- No. of cable entries: 1
- Thread size: M/PG
- Hoods/Housings sealing: NBR

Dimensional line drawings

Surface Mount 1 Locking Lever 2 Cable Openings with Plastic Cover

2xM25 = 208-4960

2xPG21 = 208-4961



Technical specification:

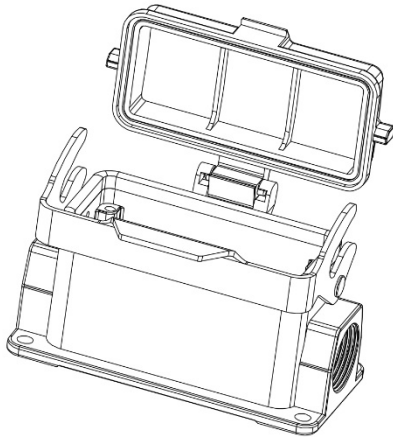
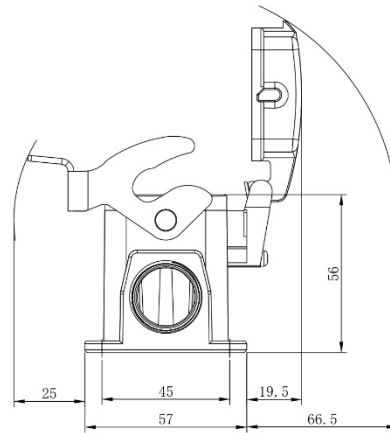
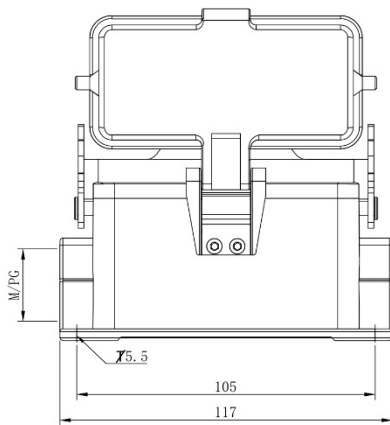
- Material: Aluminium die-cast
- Material, cover: PC
- Surface: powder-coated
- Colour: (grey)
- Temperature range:
 - 40°C - +125°C
- Degree of Protection: IP65
(acc.to IEC 60529 for coupled connector)
- Locking element:
 - locking type: single locking latch
 - material: metal galvanized/nickel plating
- Cable entry: side entry
- No. of cable entries: 2
- Thread size: M/PG
- Hoods/Housings sealing: NBR

Dimensional line drawings

Surface Mount 1 Locking Lever Single Cable Opening with Plastic Cover

M25 = 208-4962

PG21 = 208-4963



Technical specification:

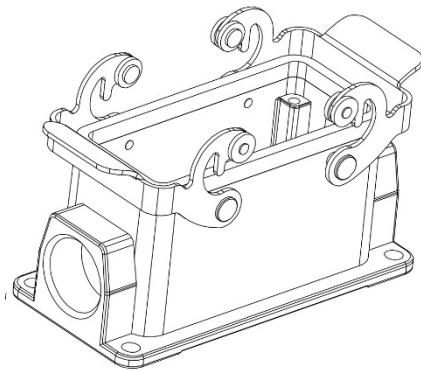
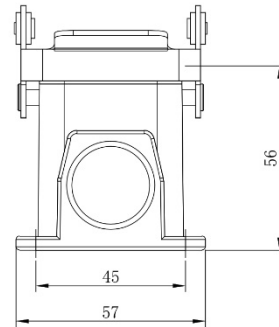
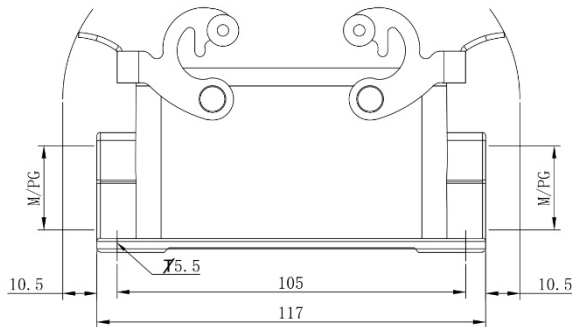
- Material: Aluminium die-cast
- Material, cover: PC
- Surface: powder-coated
- Colour: (grey)
- Temperature range:
 - 40°C - +125°C
- Degree of Protection: IP65
(acc.to IEC 60529 for coupled connector)
- Locking element:
 - locking type: single locking latch
 - material: metal galvanized/nickel plating
- Cable entry: side entry
- No. of cable entries: 1
- Thread size: M/PG
- Hoods/Housings sealing: NBR

Dimensional line drawings

Surface Mount 2 Locking Levers 2 Cable Openings

2xM25 = 208-4966

2xPG16 = 208-4967



Technical specification:

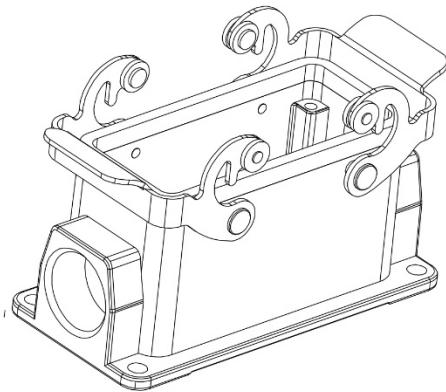
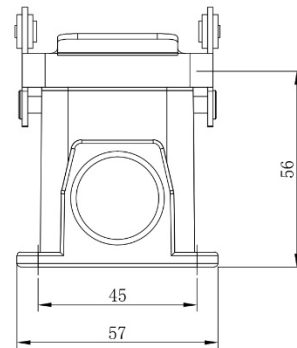
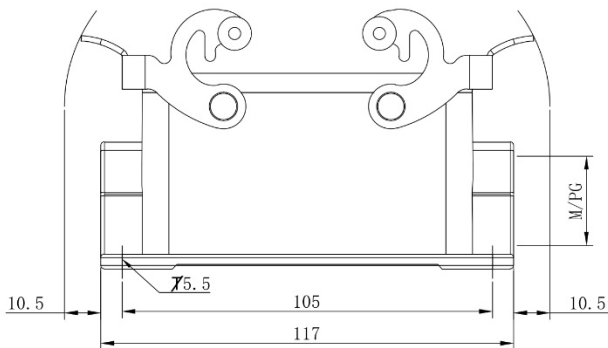
- Material: Aluminium die-cast
- Surface: powder-coated
- Colour: (grey)
- Temperature range:
 - 40°C - +125°C
- Degree of Protection: IP65
(acc.to IEC 60529 for coupled connector)
- Locking element:
 - locking type: double locking latch
 - material: stainless steel
- Cable entry: side entry
- No. of cable entries: 2
- Thread size: M/PG
- Hoods/Housings sealing: NBR

Dimensional line drawings

Surface Mount 2 Locking Levers Single Cable Opening

M25 = 208-4968

PG21 = 208-4969



Technical specification:

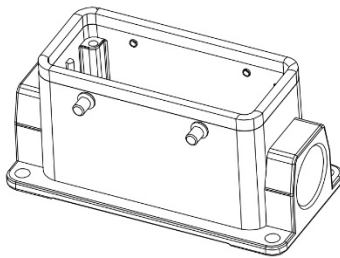
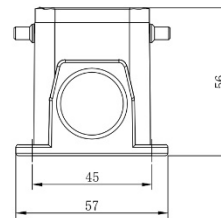
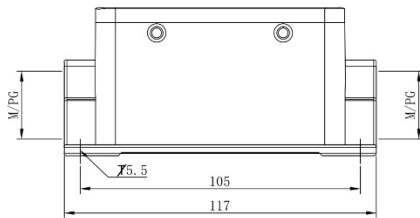
- Material: Aluminium die-cast
- Surface: powder-coated
- Colour: (grey)
- Temperature range:
 - 40°C - +125°C
- Degree of Protection: IP65
(acc.to IEC 60529 for coupled connector)
- Locking element:
 - locking type: double locking latch
 - material: stainless steel
- Cable entry: side entry
- No. of cable entries: 1
- Thread size: M/PG
- Hoods/Housings sealing: NBR

Dimensional line drawings

Surface Mount 4 Locking Points 2 Cable Openings

2xM25 = 208-4970

2xPG21 = 208-4972



Technical specification:

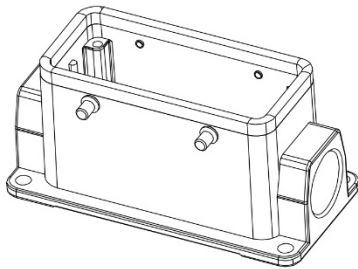
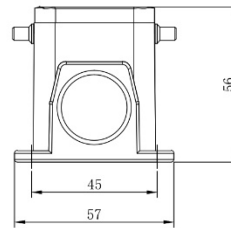
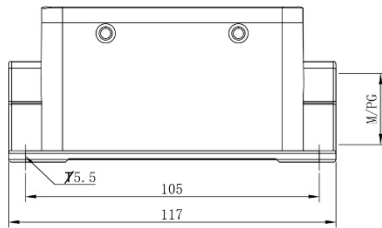
- Material: Aluminium die-cast
- Surface: powder-coated
- Colour: (grey)
- Temperature range:
 - 40°C - +125°C
- Degree of Protection: IP65
(acc.to IEC 60529 for coupled connector)
- Cable entry: side entry
- No. of cable entries: 2
- Thread size: M/PG
- Hoods/Housings sealing: NBR

Dimensional line drawings

Surface Mount 4 Locking Points Single Cable Opening

M25 = 208-4977

PG21 = 208-4978



Technical specification:

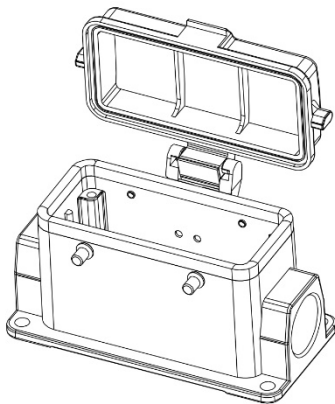
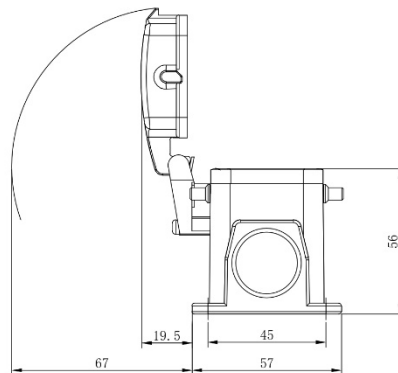
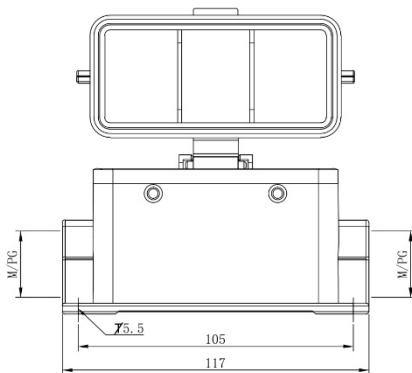
- Material: Aluminium die-cast
- Surface: powder-coated
- Colour: (grey)
- Temperature range:
-40°C - +125°C
- Degree of Protection: IP65
(acc.to IEC 60529 for coupled connector)
- Cable entry: side entry
- No. of cable entries: 1
- Thread size: M/PG
- Hoods/Housings sealing: NBR

Dimensional line drawings

Surface Mount 4 Locking Points 2 Cable Openings with Plastic Cover

2xM25 = 208-4973

2xPG21 = 208-4974



Technical specification:

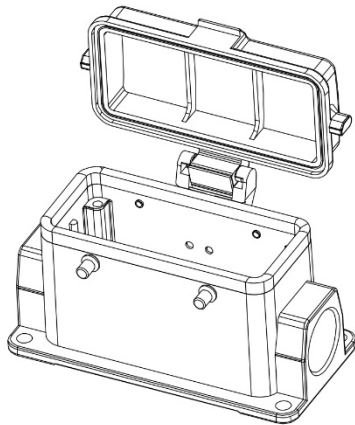
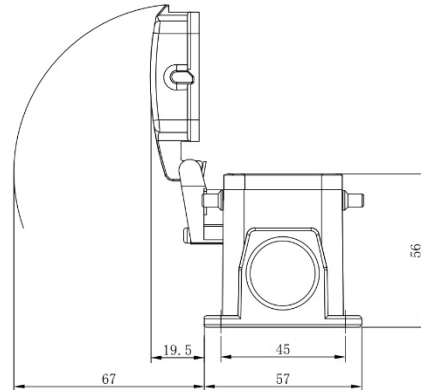
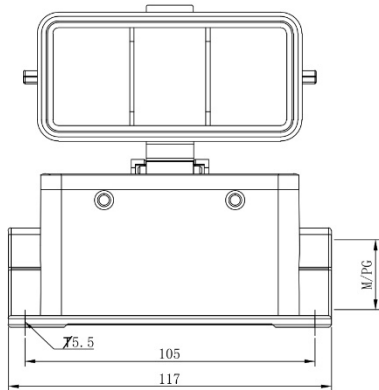
- Material: Aluminium die-cast
- Material, cover: PC
- Surface: powder-coated
- Colour: (grey)
- Temperature range:
 - 40°C - +125°C
- Degree of Protection: IP65
(acc.to IEC 60529 for coupled connector)
- Cable entry: side entry
- No. of cable entries: 2
- Thread size: M/PG
- Hoods/Housings sealing: NBR

Dimensional line drawings

Surface Mount 4 Locking Points Single Cable Opening with Plastic Cover

M25 = 208-4975

PG21 = 208-4976



Technical specification:

- Material: Aluminium die-cast
- Material, cover: PC
- Surface: powder-coated
- Colour: (grey)
- Temperature range:
 - 40°C - +125°C
- Degree of Protection: IP65
(acc.to IEC 60529 for coupled connector)
- Cable entry: side entry
- No. of cable entries: 1
- Thread size: M/PG
- Hoods/Housings sealing: NBR

Dimensional line drawings

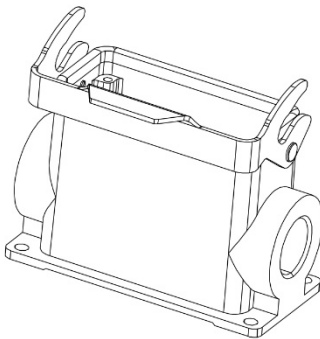
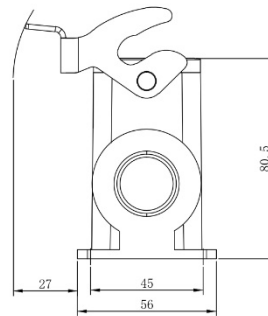
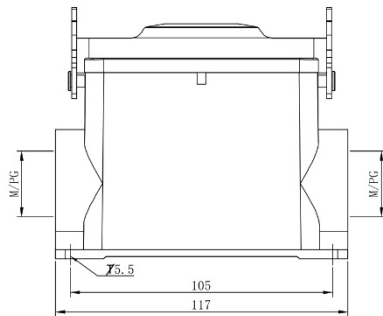
High Surface Mount 1 Locking Lever 2 Cable Openings

2xM25 = 208-4979

2xM32 = 208-4980

2xPG21 = 208-4981

2xPG29 = 208-4982



Technical specification:

- Material: Aluminium die-cast
- Surface: powder-coated
- Colour: (grey)
- Temperature range:
 - 40°C - +125°C
- Degree of Protection: IP65
(acc.to IEC 60529 for coupled connector)
- Locking element:
 - locking type: single locking latch
 - material: metal galvanized/nickel plating
- Cable entry: side entry
- No. of cable entries: 2
- Thread size: M/PG
- Hoods/Housings sealing: NBR

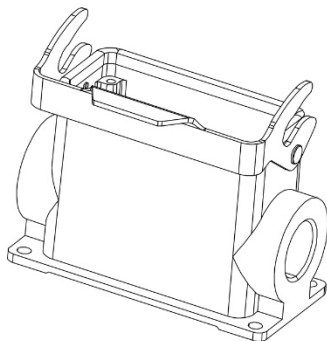
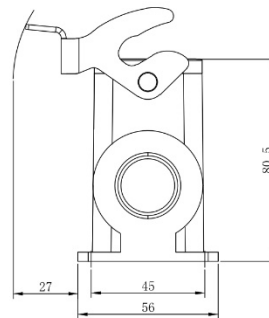
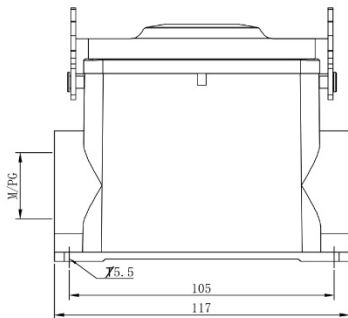
Dimensional line drawings

High Surface Mount 1 Locking Lever Single Cable Opening

M32 = 208-4990

PG21 = 208-4991

PG29 = 208-4992



Technical specification:

- Material: Aluminium die-cast
- Surface: powder-coated
- Colour: (grey)
- Temperature range:
 - 40°C - +125°C
- Degree of Protection: IP65
(acc.to IEC 60529 for coupled connector)
- Locking element:
 - locking type: single locking latch
 - material: metal galvanized/nickel plating
- Cable entry: side entry
- No. of cable entries: 1
- Thread size: M/PG
- Hoods/Housings sealing: NBR

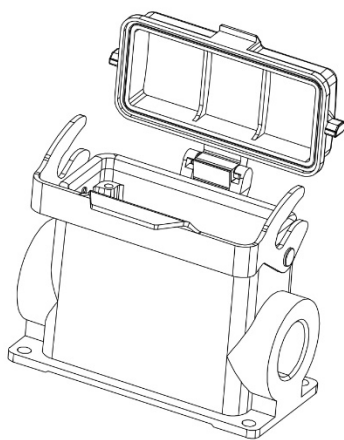
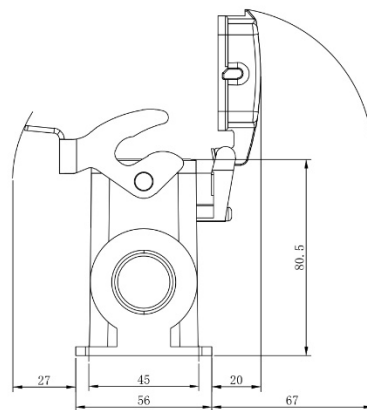
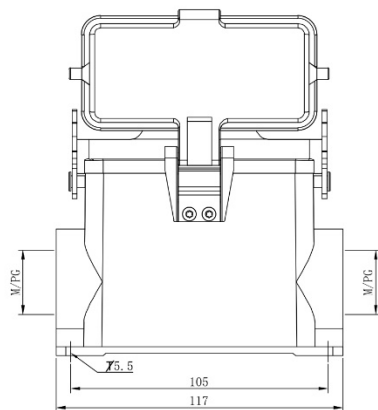
Dimensional line drawings

High Surface Mount 1 Locking Lever 2 Cable Openings with Plastic Cover

2xM32 = 208-4983

2xPG21 = 208-4984

2xPG29 = 208-4985



Technical specification:

- Material: Aluminium die-cast
- Material, cover: PC
- Surface: powder-coated
- Colour: (grey)
- Temperature range:
 - 40°C - +125°C
- Degree of Protection: IP65
(acc.to IEC 60529 for coupled connector)
- Locking element:
 - locking type: single locking latch
 - material: metal galvanized/nickel plating
- Cable entry: side entry
- No. of cable entries: 2
- Thread size: M/PG
- Hoods/Housings sealing: NBR

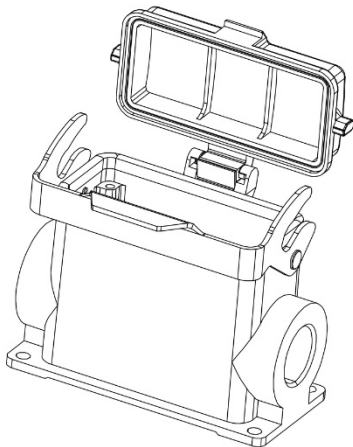
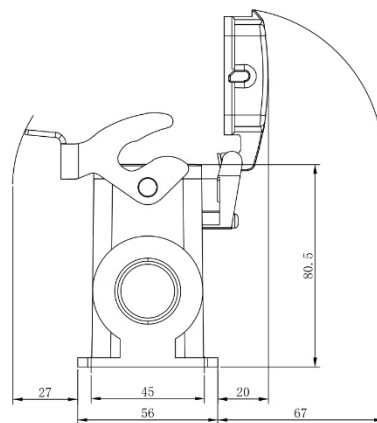
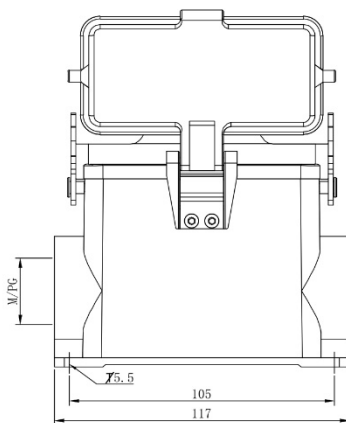
Dimensional line drawings

High Surface Mount 1 Locking Lever Single Cable Opening with Plastic Cover

M32 = 208-4986

PG21 = 208-4988

PG29 = 208-4989



Technical specification:

- Material: Aluminium die-cast
- Material, cover: PC
- Surface: powder-coated
- Colour: (grey)
- Temperature range:
 - 40°C - +125°C
- Degree of Protection: IP65
(acc.to IEC 60529 for coupled connector)
- Locking element:
 - locking type: single locking latch
 - material: metal galvanized/nickel plating
- Cable entry: side entry
- No. of cable entries: 1
- Thread size: M/PG
- Hoods/Housings sealing: NBR

Dimensional line drawings

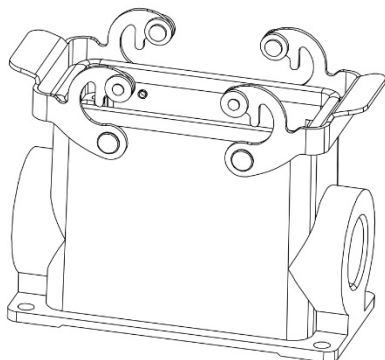
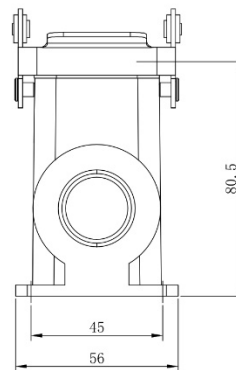
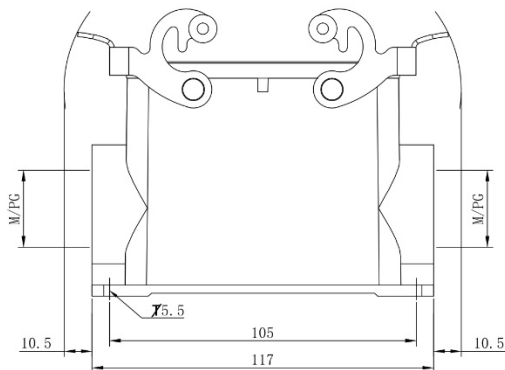
High Surface Mount 2 Locking Levers 2 Cable Openings 2xM25 = 208-4994

2xM32 = 208-4995

2xM40 = 208-4996

2xPG21 = 208-4997

2xPG29 = 208-4998



Technical specification:

- Material: Aluminium die-cast
- Surface: powder-coated
- Colour: (grey)
- Temperature range:
 - 40°C - +125°C
- Degree of Protection: IP65
(acc.to IEC 60529 for coupled connector)
- Locking element:
 - locking type: double locking latch
 - material: stainless steel
- Cable entry: side entry
- No. of cable entries: 2
- Thread size: M/PG
- Hoods/Housings sealing: NBR

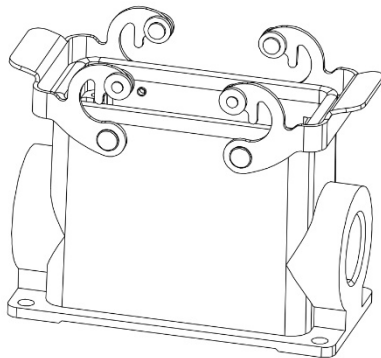
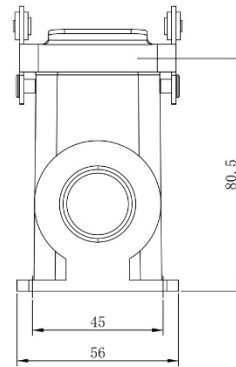
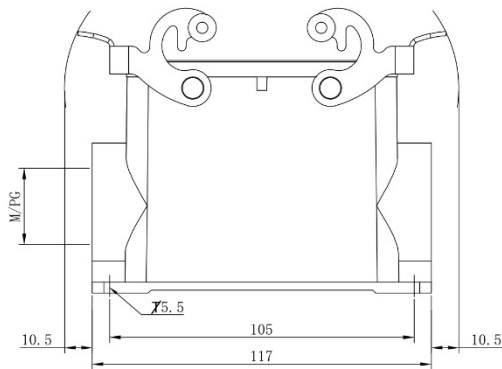
Dimensional line drawings

High Surface Mount 2 Locking Levers Single Cable Opening

M32 = 208-4999

PG21 = 208-5000

PG29 = 208-5001



Technical specification:

- Material: Aluminium die-cast
- Surface: powder-coated
- Colour: (grey)
- Temperature range:
 - 40°C - +125°C
- Degree of Protection: IP65
(acc.to IEC 60529 for coupled connector)
- Locking element:
 - locking type: double locking latch
 - material: stainless steel
- Cable entry: side entry
- No. of cable entries: 1
- Thread size: M/PG
- Hoods/Housings sealing: NBR

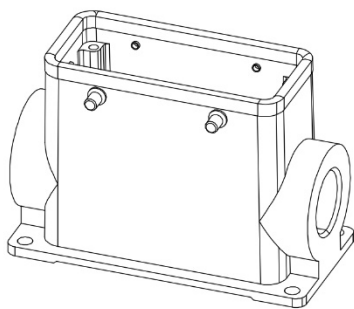
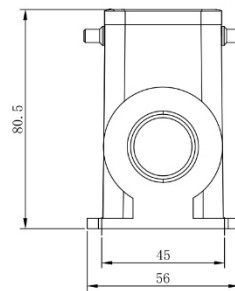
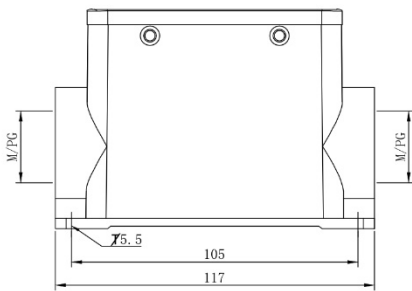
Dimensional line drawings

High Surface Mount 4 Locking Points 2 Cable Openings 2xM32

= 208-5002

2xPG21 = 208-5003

2xPG29 = 208-5004



Technical specification:

- Material: Aluminium die-cast
- Surface: powder-coated
- Colour: (grey)
- Temperature range:
 - 40°C - +125°C
- Degree of Protection: IP65
(acc.to IEC 60529 for coupled connector)
- Cable entry: side entry
- No. of cable entries: 2
- Thread size: M/PG
- Hoods/Housings sealing: NBR

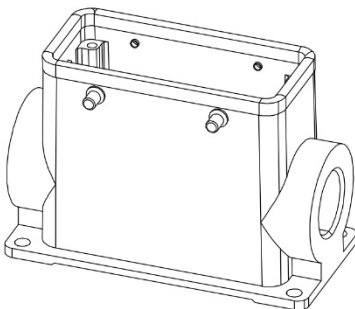
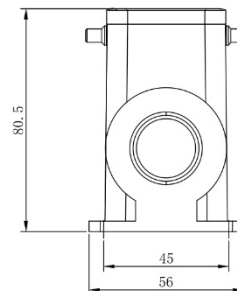
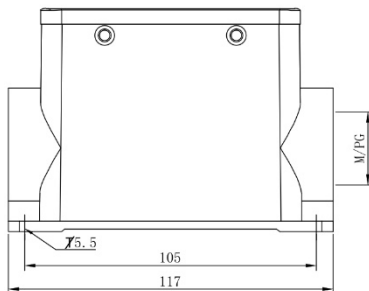
Dimensional line drawings

High Surface Mount 4 Locking Points Single Cable Opening

M32 = 208-5011

PG21 = 208-3932

PG29 = 208-3933



Technical specification:

- Material: Aluminium die-cast
- Surface: powder-coated
- Colour: (grey)
- Temperature range:
 - 40°C - +125°C
- Degree of Protection: IP65
(acc.to IEC 60529 for coupled connector)
- Cable entry: side entry
- No. of cable entries: 1
- Thread size: M/PG
- Hoods/Housings sealing: NBR

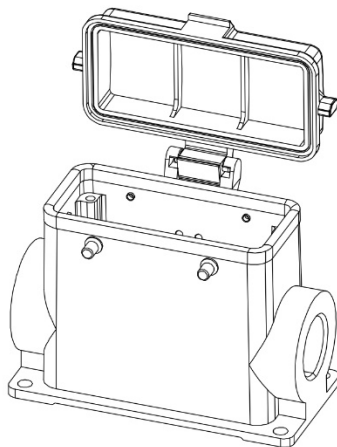
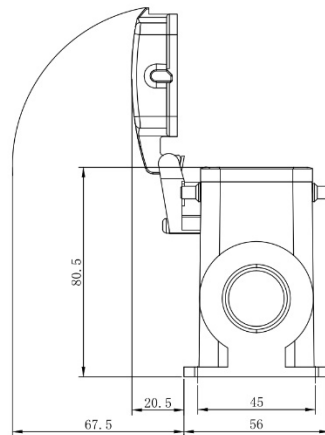
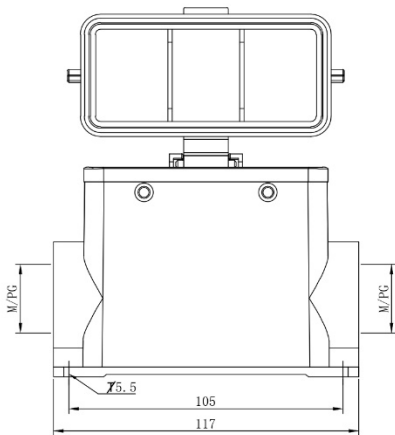
Dimensional line drawings

High Surface Mount 4 Locking Points 2 Cable Openings with Plastic Cover

2xM32 = 208-5005

2xPG21 = 208-5006

2xPG29 = 208-5007



Technical specification:

- Material: Aluminium die-cast
- Material, cover: PC
- Surface: powder-coated
- Colour: (grey)
- Temperature range:
 - 40°C - +125°C
- Degree of Protection: IP65
(acc.to IEC 60529 for coupled connector)
- Cable entry: side entry
- No. of cable entries: 2
- Thread size: M/PG
- Hoods/Housings sealing: NBR

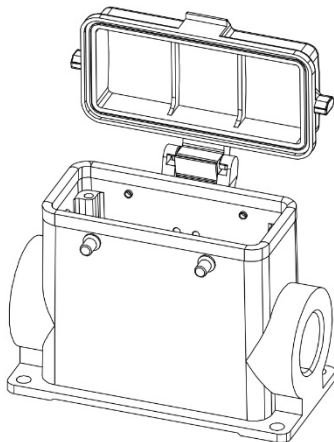
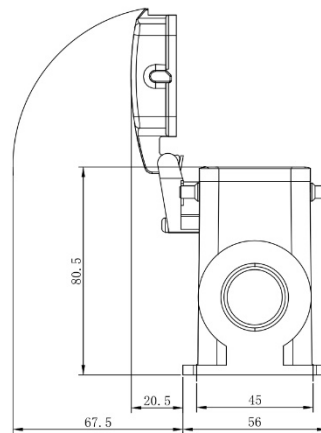
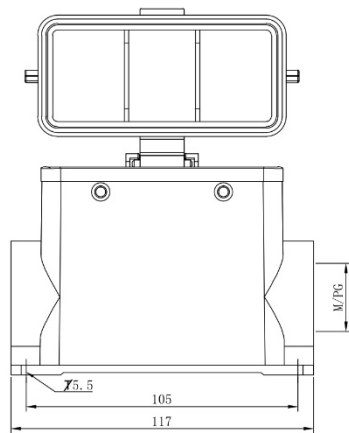
Dimensional line drawings

High Surface Mount 4 Locking Points Single Cable Opening with Plastic Cover

M32 = 208-5008

PG21 = 208-5009

PG29 = 208-5010



Technical specification:

- Material: Aluminium die-cast
- Material, cover: PC
- Surface: powder-coated
- Colour: (grey)
- Temperature range:
 - 40°C - +125°C
- Degree of Protection: IP65
(acc.to IEC 60529 for coupled connector)
- Cable entry: side entry
- No. of cable entries: 1
- Thread size: M/PG
- Hoods/Housings sealing: NBR

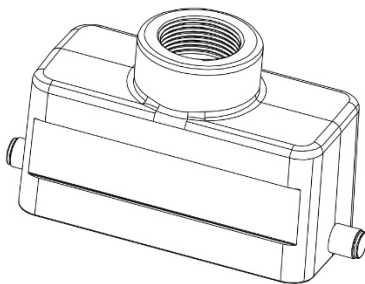
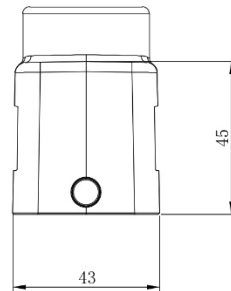
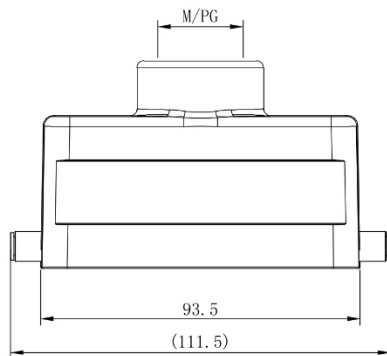
Dimensional line drawings

Top Entry Hood 2 Locking Points

M25 = 208-3935

M32 = 208-3936

PG21 = 208-3937



Technical specification:

- Material: Aluminium die-cast
- Surface: powder-coated
- Colour: (grey)
- Temperature range:
 - 40°C - +125°C
- Degree of Protection: IP65
(acc.to IEC 60529 for coupled connector)
- Cable entry: top entry
- No. of cable entries: 1
- Thread size: M/PG

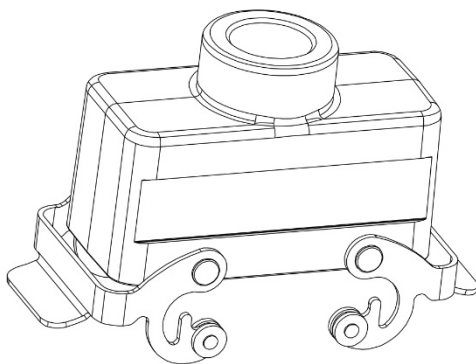
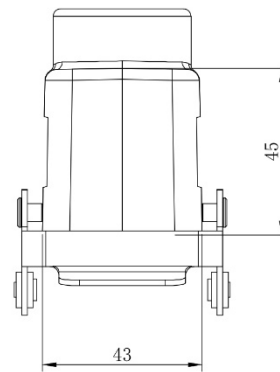
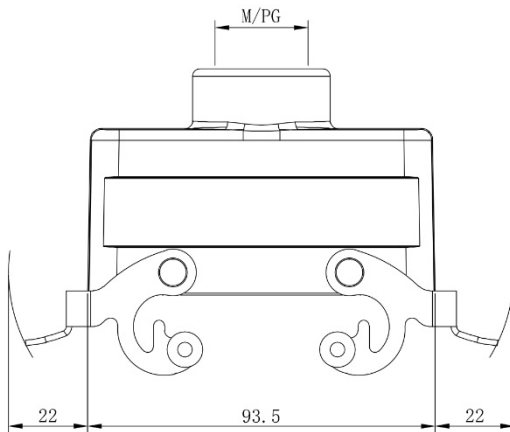
Dimensional line drawings

Top Entry Hood 2 Locking Levers

M25 = 208-3938

M32 = 208-3939

PG21 = 208-3941



- Technical specification:
- Material: Aluminium die-cast
 - Surface: powder-coated
 - Colour: (grey)
 - Temperature range:
 - 40°C - +125°C
 - Degree of Protection: IP65
(acc.to IEC 60529 for coupled connector)
 - Locking element:
 - locking type: double locking latch
 - material: stainless steel
 - Cable entry: top entry
 - No. of cable entries: 1
 - Thread size: M/PG

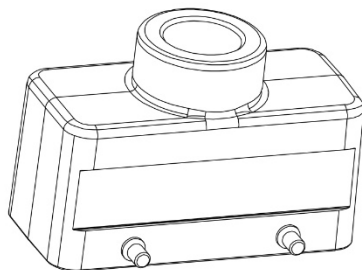
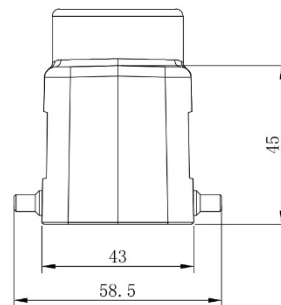
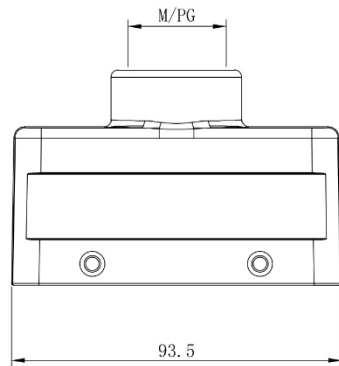
Dimensional line drawings

Top Entry Hood 4 Locking Points

M25 = 208-3942

M32 = 208-3943

PG21 = 208-3944



Technical specification:

- Material: Aluminium die-cast
- Surface: powder-coated
- Colour: (grey)
- Temperature range:
 - 40°C - +125°C
- Degree of Protection: IP65
(acc.to IEC 60529 for coupled connector)
- Cable entry: top entry
- No. of cable entries: 1
- Thread size: M/PG

Dimensional line drawings

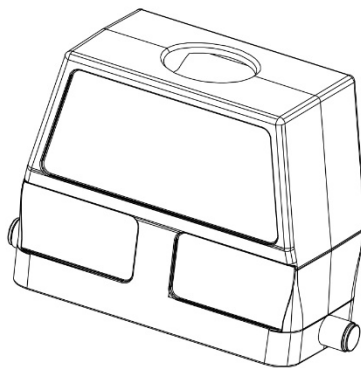
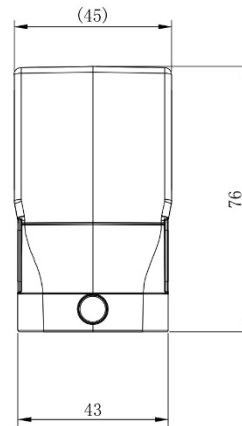
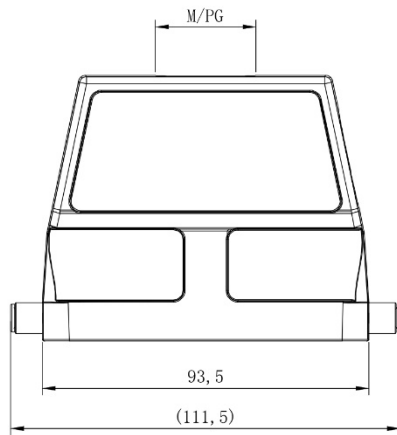
Top Entry High Hood 2 Locking Points

M32 = 208-3945

M40 = 208-3946

PG21 = 208-3947

PG29 = 208-3948



Technical specification:

- Material: Aluminium die-cast
- Surface: powder-coated
- Colour: (grey)
- Temperature range:
 - 40°C - +125°C
- Degree of Protection: IP65
(acc.to IEC 60529 for coupled connector)
- Cable entry: top entry
- No. of cable entries: 1
- Thread size: M/PG

Dimensional line drawings

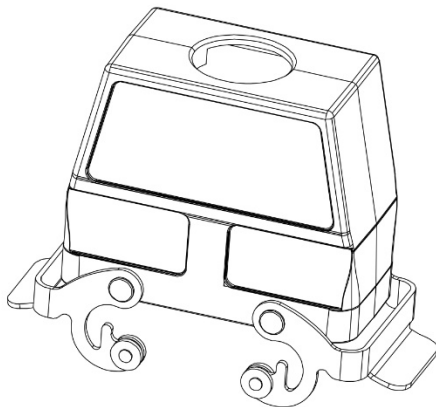
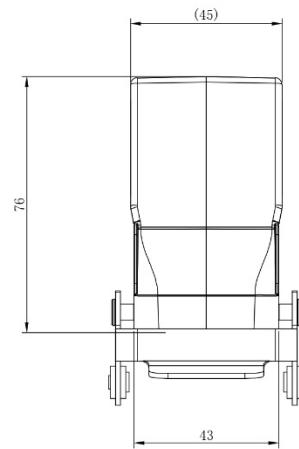
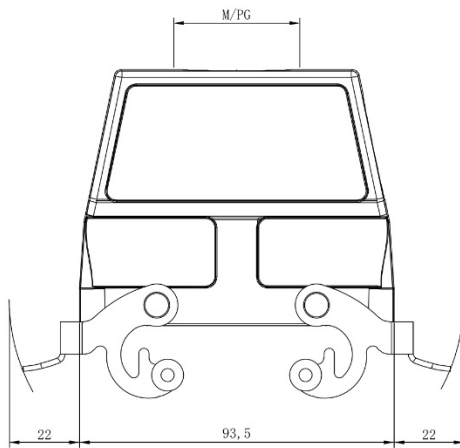
Top Entry High Hood 2 Locking Levers

M32 = 208-3949

M40 = 208-3950

PG21 = 208-3951

PG29 = 208-3952



Technical specification:

- Material: Aluminium die-cast
- Surface: powder-coated
- Colour: (grey)
- Temperature range:
 - 40°C - +125°C
- Degree of Protection: IP65
(acc.to IEC 60529 for coupled connector)
- Locking element:
 - locking type: double locking latch
 - material: stainless steel
- Cable entry: top entry
- No. of cable entries: 1
- Thread size: M/PG

Dimensional line drawings

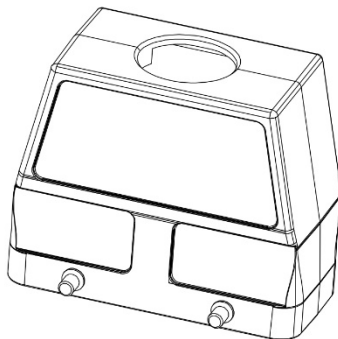
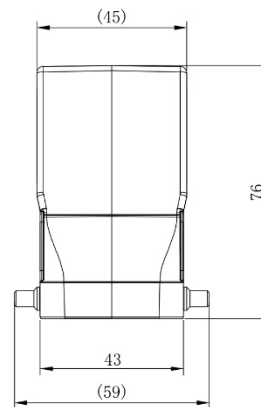
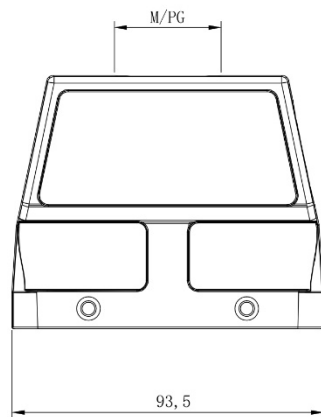
Top Entry High Hood 4 Locking Points

M32 = 208-3953

M40 = 208-3954

PG21 = 208-3955

PG29 = 208-3957



Technical specification:

- Material: Aluminium die-cast
- Surface: powder-coated
- Colour: (grey)
- Temperature range:
 - 40°C - +125°C
- Degree of Protection: IP65
(acc.to IEC 60529 for coupled connector)
- Cable entry: top entry
- No. of cable entries: 1
- Thread size: M/PG