



EN

Datasheet

RS PRO NYLON-INSULATED CORD END TERMINALS (FERRULES)

Stock number: **2069705**

MAXIMUM ELECTRIC CURRENT:

A.W.G.	3/0
AMP.	310

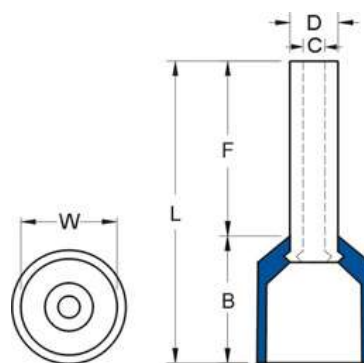
MAXIMUM ELECTRICAL RATING: 105°C 600 VOLTS MAX.

TERMINAL MATERIAL: COPPER TUBE

SURFACE TREATMENT: TIN PLATE

INSULATION MATERIAL: NYLON

INSULATION COLOR: RED



WIRE RANGE A.W.G. mm ²	DIMENSION inch(mm)					
	F	L	W	B	D	C
3/0	0.984	1.732	0.728	0.748	0.614	0.583
A.W.G.	25	44	18.5	19	15.600	14.8
95 mm ²						