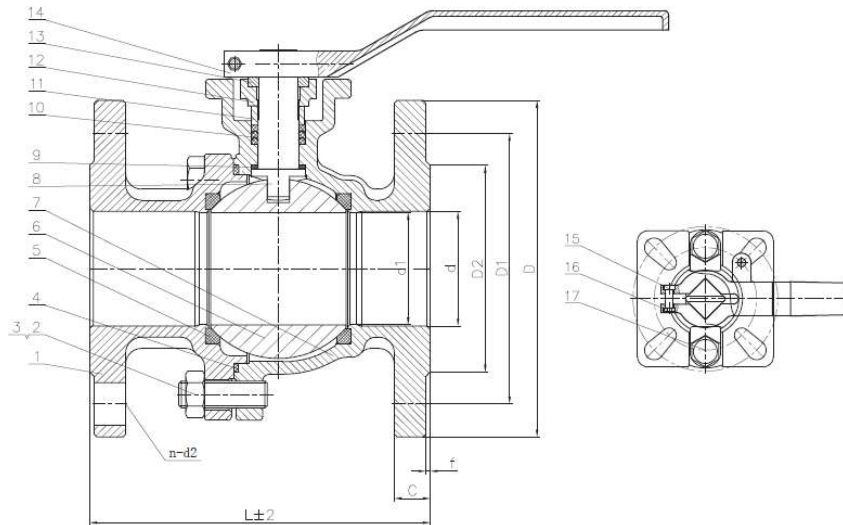


PN10/16 Stainless Steel 2 Piece Flange Ball Valves

Features

- Full Bore
- PN10/16 Flange Connection
- Sizes: 3/4" - 6" (DN20 – DN150)
- Working Pressure: 16 Bar
- Valve Body Material: Stainless Steel SS316
- Fire-safe Design According to API 607
- Applicable Medium: General Oil, Gas & Water Applications
- Blow-out Proof Stem Design
- Temperature: -29 Deg C to 150 Deg C



Technical Specifications

1. Basic design and manufacture according to EN 1983
2. Face-to-face dimensions complies with EN 558 & S15
3. Flange ends complied with EN 1092-1
4. Inspection and tested according to EN 12266-1

Main Technical Parameter			
Normal pressure		1.6	MPa
Test pressure	Shell test pressure	2.4	
	Gas test	0.6	
Max working temperature		-29 to 150	°C
Applicable medium: General oil, gas & water			

Material List

No.	Part Name	Material	No.	Part Name	Material
1	Cap	CF8M/ SS316	10	Packing	PTFE
2	Bolt	SS316	11	Gland	SS316
3	Nut	SS316	12	Flange Gland	CF8M/ SS316
4	Gasket	PTFE	13	Orientation Patch	SS201
5	Seat	PTFE	14	Handle	SS201
6	Ball	SS316	15	Bolt	SS304
7	Body	CF8M/ SS316	16	Nut	SS304
8	Stem	SS316	17	Bolt	SS304
9	Thrust Washer	PTFE			

Ordering Information

VL - S - B2 - F - PN16 - 08
 I II III IV V VI

I Type of Item

VL Low Pressure Valves

II Material Grade

S	SS316, CF8M	CI	Cast Iron
FS	Forged Steel	CS	Cast Steel
B	Brass		

III Item

GA	Gate Valve	B1	1 PC Ball Valve
GL	Globe Valve	B2	2 PC Ball Valve
YS	Y-Strainer	B3	3 PC Ball Valve
SC	Swing Check Valve	BL	3 Way Ball Valve L Port
VC	Vertical Check Valve	BT	3 Way Ball Valve T Port
WC	Wafer Check Valve	BMF	Male x Female Mini Ball Valve
DD	Dual Disk	BU	Butterfly Valve

IV Connection Type

SW	S/W	G	BSPP
BW	B/W	N	NPT
R	BSPT	F	Flange End
W	Wafer	L	Lug

V Pressure

200	200 PSI	2000	2000 PSI
300	300 PSI	150	ANSI 150# Flange Standard
600	600 PSI	10K	JIS 10K Flange Standard
800	800 PSI	PN16	PN 16 Flange Standard
1000	1000 PSI		

For Inch OD & Inch NB Sizes

VI Size

Size	1/8"	1/4"	5/16"	3/8"	1/2"	5/8"	3/4"	1"
Code	02	04	05	06	08	10	12	16
Size	1 1/4"	1 1/2"	2"	2 1/2"	3"	4"	5"	6"
Code	20	24	32	40	48	64	80	96

VII Coating

(None)	No Additional Coating
NI	Nickel Plating

Dimension List

NPS	Connection	Impa Code	Part No	d	d1	D	D1	D2	L	C	n - d2	f	Weight (Kg)
3/4"	Flange End	-	VL-S-B2-F-PN16-12	20	19	105	75	58	120	18	4-Ø14	2	3.19
1"	Flange End	-	VL-S-B2-F-PN16-16	25	24	115	85	68	125	18	4-Ø14	2	3.30
1 1/4"	Flange End	-	VL-S-B2-F-PN16-20	32	31	140	100	78	130	18	4-Ø18	2	5.70
1 1/2"	Flange End	-	VL-S-B2-F-PN16-24	40	39	150	110	88	140	18	4-Ø18	2	7.33
2"	Flange End	-	VL-S-B2-F-PN16-32	50	49	165	125	102	150	18	4-Ø18	2	9.28
2 1/2"	Flange End	-	VL-S-B2-F-PN16-40	65	64	185	145	122	170	18	4-Ø18	2	13.77
3"	Flange End	-	VL-S-B2-F-PN16-48	80	79	200	160	138	180	20	8-Ø18	2	17.75
4"	Flange End	-	VL-S-B2-F-PN16-64	100	99	220	180	158	190	20	8-Ø18	2	23.55
5"	Flange End	-	VL-S-B2-F-PN16-80	125	125	250	210	188	325	22	8-Ø18	2	43.10
6"	Flange End	-	VL-S-B2-F-PN16-96	150	150	285	240	212	350	22	8-Ø22	2	59.0

Part Number Reference

Impa Code	Part No	Description
-	VL-S-B2-F-PN16-12	3/4" PN10/16 SS316 FLANGE END BALL VALVE WITH ISO MOUNTING PAD, FIRE SAFE DESIGN
-	VL-S-B2-F-PN16-16	1" PN10/16 SS316 FLANGE END BALL VALVE WITH ISO MOUNTING PAD, FIRE SAFE DESIGN
-	VL-S-B2-F-PN16-20	1 1/4" PN10/16 SS316 FLANGE END BALL VALVE WITH ISO MOUNTING PAD, FIRE SAFE DESIGN
-	VL-S-B2-F-PN16-24	1 1/2" PN10/16 SS316 FLANGE END BALL VALVE WITH ISO MOUNTING PAD, FIRE SAFE DESIGN
-	VL-S-B2-F-PN16-32	2" PN10/16 SS316 FLANGE END BALL VALVE WITH ISO MOUNTING PAD, FIRE SAFE DESIGN
-	VL-S-B2-F-PN16-40	2 1/2" PN10/16 SS316 FLANGE END BALL VALVE WITH ISO MOUNTING PAD, FIRE SAFE DESIGN
-	VL-S-B2-F-PN16-48	3" PN10/16 SS316 FLANGE END BALL VALVE WITH ISO MOUNTING PAD, FIRE SAFE DESIGN
-	VL-S-B2-F-PN16-64	4" PN10/16 SS316 FLANGE END BALL VALVE WITH ISO MOUNTING PAD, FIRE SAFE DESIGN
-	VL-S-B2-F-PN16-80	5" PN10/16 SS316 FLANGE END BALL VALVE WITH ISO MOUNTING PAD, FIRE SAFE DESIGN
-	VL-S-B2-F-PN16-96	6" PN10/16 SS316 FLANGE END BALL VALVE WITH ISO MOUNTING PAD, FIRE SAFE DESIGN