

FEATURES

- RoHS compliant
- REACH compliant
- Silicon free

RS PRO BRASS OLIVE

RS Stock No.: 2305194



RS PROfessionally Approved Products bring to you professional quality parts across all product categories. Our product range has been tested by engineers and provides a comparable quality to the leading brands without paying a premium price.

Product Description

The RS PRO brass olive is compatible with water, oil and compressed air. Operating temperature range is from - 60 °C + 300 °C.
The working pressures and working temperatures depend on which type of tube is used, for this reason, the values must be determined in accordance with the tube's features.

General Specifications

| | |
|---------------------|--|
| Fitting Type | Compression Olive |
| Material | Brass |
| Applications | Hot water systems, Central heating systems, Cold water systems |

Mechanical Specifications

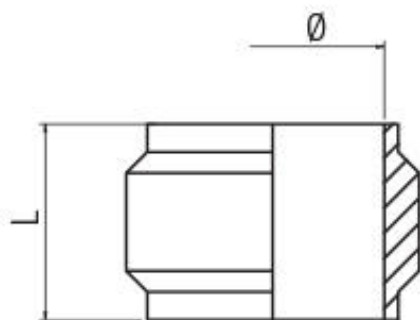
| | |
|-----------------------------|-------------|
| Compatible Pipe Size | 10mm |
| Length | 8mm |
| Connection | Compression |

Approvals

| | |
|----------------------|--------------------------|
| Standards Met | RoHS and REACH Compliant |
|----------------------|--------------------------|

Similar Products

| Parameters | 2305191 | 2305192 |
|-----------------------------|--|--|
| Brand | RS PRO | RS PRO |
| Fitting Type | Compression Olive | Compression Olive |
| Material | Brass | Brass |
| Compatible Pipe Size | 4mm | 6mm |
| Length | 6mm | 6.5mm |
| Connection | Compression | Compression |
| Standards Met | RoHS and REACH Compliant | RoHS and REACH Compliant |
| Applications | Hot water systems, Central heating systems, Cold water systems | Hot water systems, Central heating systems, Cold water systems |



| Tube | L | Pack. |
|------|---|-------|
| 10 | 8 | 50 |