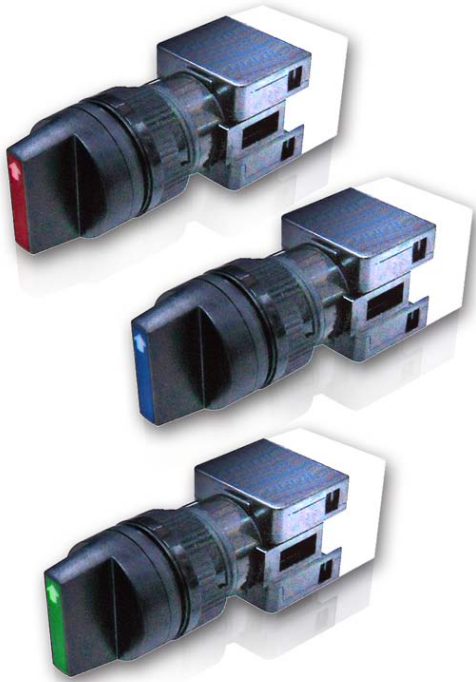




ENGLISH

Product Datasheet

Switch 3 position selector 16mm Blue, Green, Red 24V



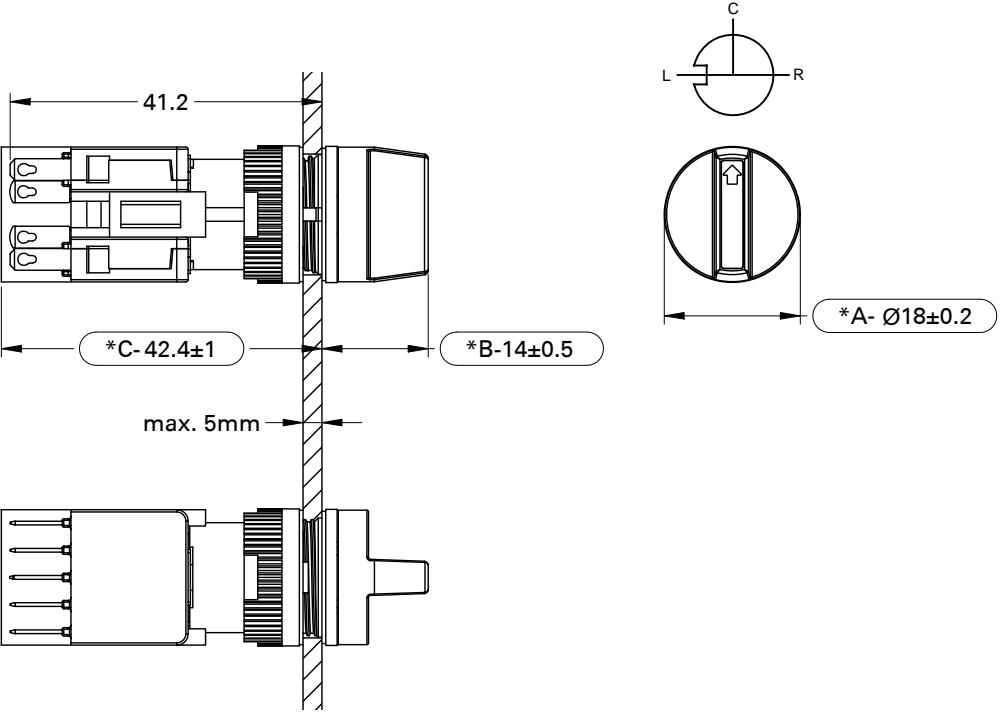
RoHS
Compliant



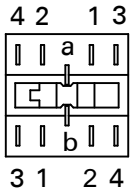
Product Specifications

Mechanical lifetime	> 0.25 million operations
Electric rating	250V AC 5A
Max. insulation voltage	>1500V 60HZ 1minute between all terminals
Motion tolerance	< 20 operation / minute
Panel thickness	0.5mm ~ 5mm
Degree of protection	IP 65
Storage temperature	- 40°C to +70°C
Operating temperature	- 25°C to +55°C (-25°C to +70°C without lamp)
Contact resistance	< = 50mΩ (initial)

Soldering/Plug-in Type Selector Switch



Bottom View



Electrical Diagram

