

## Datasheet

### SPST Tactile Switch

RS Stock number 734-7353



#### SPECIFICATIONS :

RATING : 30mA / 28VDC

OPERATING SPEED: 10mm/sec

ELECTRIC LIFE : 20,000 CYCLES

FORCE : 3.4N~6.4N

OPERATING POSITION :8.9±0.2mm

FULL TRAVELS : 2.0mm

#### MATERIALS :

PUSHER : POM BLACK

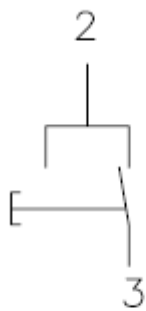
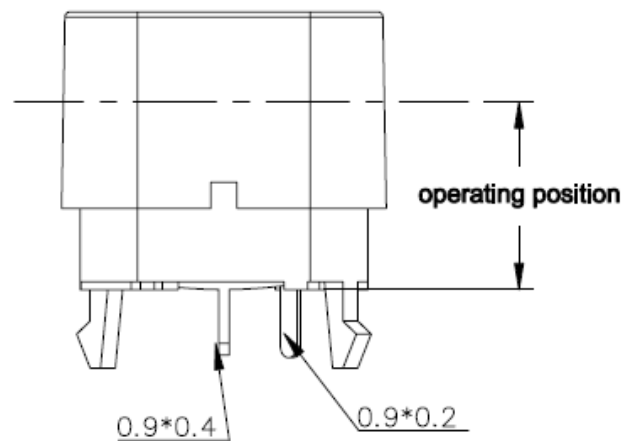
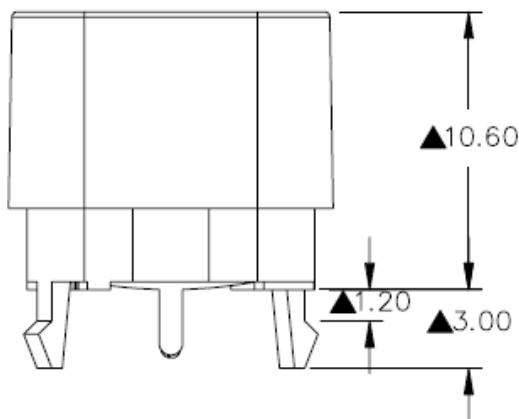
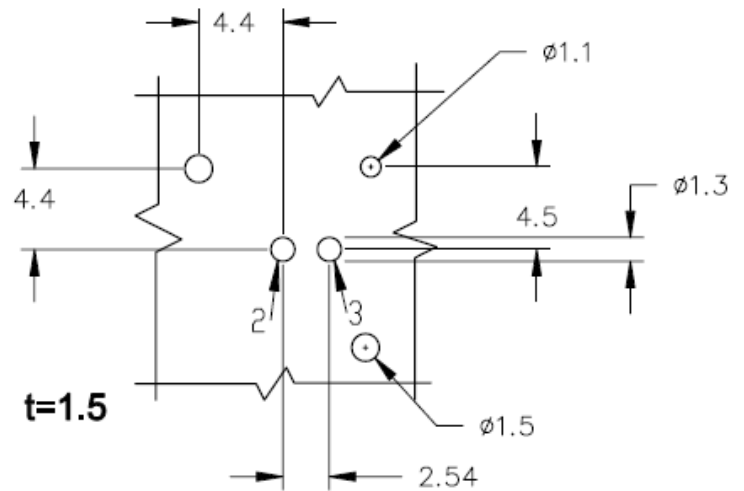
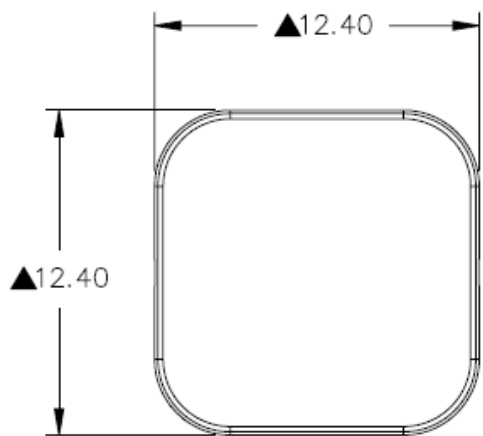
DUST PROTECTION CAP : POM BLACK

CASE : PA NATURE GLASS FIBER REINFORCED

SPRING : PIANO WIRE

CONTACT/TERMINALS : BRASS, SILVER PLATED.

Dimensions – inch  
mm



**SPST**  
**Function**