

# Datasheet

## 5 Pole Female Straight DIN Connector

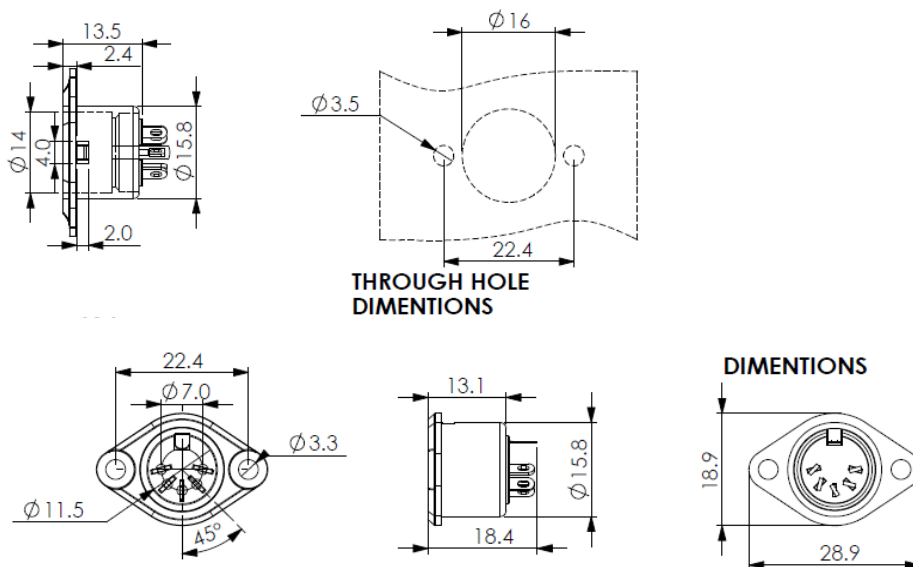
RS Stock number [491-093](#)



**MATERIAL :**

1. SHIELD COVER : Zn ALLOY NICKEL PTD.
2. GND CONT. : COPPER NICKEL PTD.
3. HOUSING : PA66
4. TERMINALS : BRASS SILVER PTD.

**Drawing (mm):**



**Specifications:**

- rating : 100V AC 4A MAX
- contact resistance : pins-30mΩ MAX; shell-50mΩ MAX
- insulation resistance : MIN 100 MEGΩ @500V DC
- voltage withstand : 250V AC R.M.S. for 1 minute