

DATA SHEET

RS ESSENTIALS SPEAKER

RS Stock Code: 7564609

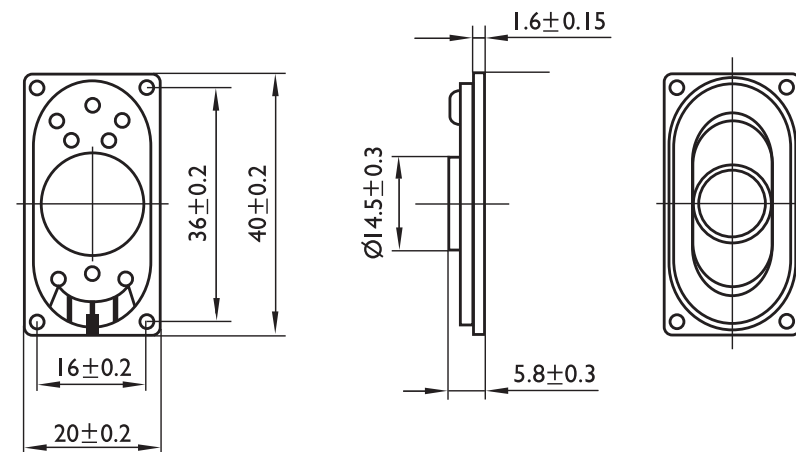
Specifications

Rated impedance	8±15%Ω
Rated power	2.0W
Maximum power	3.0W
Resonant frequency	400±20%Hz
Frequency range	F200Hz-20Khz
Sound output level at 1.0W/0.5M	83±3dB
Operating temperature	-20°C~+60°C
Storage temperature	-30°C~+70°C
Weight	7.6g
Magnet size	ø11x1.5tmm
Magnet material	NdFeB
Cone material	Paper

Features

- ROHS compliant
- Low profile
- High handling capacity

All data at 25°C unless otherwise specified



Dimensions Unit: mm

7564609 SPEAKER - Frequency Curve

SPEAKERS

