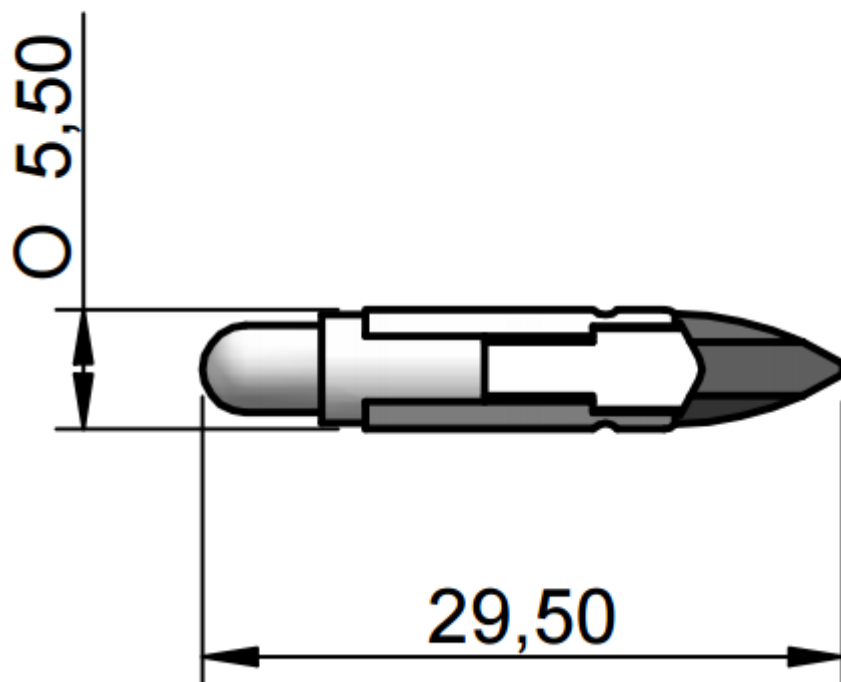


Datasheet

LED Indicator Lamp

RS ITEM NO 228-902



| | | | | | |
|------------------|-------------------|--------------------------|------------------------|-----------|----------------|
| LED/Multiled | <i>LED</i> | Optimum voltage (V) | <i>28vdc</i> | Intensity | <i>1500mcd</i> |
| Mounting Size | | Rectifier | | | |
| Mounting Finish | | AC current | | | |
| Protection | | DC current | <i>15mA</i> | | |
| Mount Holder | <i>T5.5 Slide</i> | Voltage Tolerance(%) | <i>10%</i> | | |
| Chip Qty | <i>1</i> | Optimum temperature (°C) | <i>-30°C...+60°C</i> | | |
| Indicator colour | <i>White</i> | Storage temperature (°C) | <i>-30°C...+60°C</i> | | |
| Wavelength (nm) | | Contact Tab x 2 | <i>T5.5 Slide Base</i> | | |



Dimension in mm (typical), not to scale.
We reserve the right to make changes without further notice to this product to improve reliability, function or design.