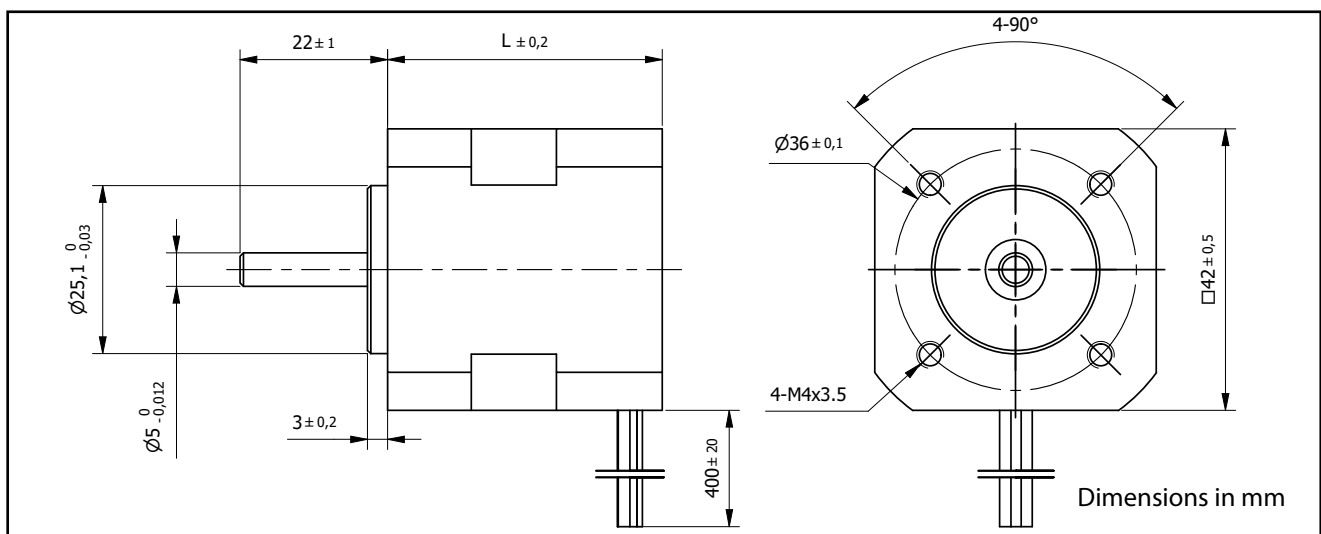


# RS PRO Datasheet

## BRUSHLESS MOTOR

**RS stock number 536-6024**

BE Version: Rear shaft 13mm - 2x M2.5 on diameter 19,05mm



### Specifications

Model	536-6024
No of Poles	8
No of Phase	3
Rated Voltage (V)	24
Rated Speed (RPM)	4000
Rated Torque (Nm)	0.063
Max Peak Torque (Nm)	0.19
Torque Constant (Nm/A)	0.035
Rated Current(A)	1.79
Line to Line Inductance (mH)	2.1
No-Load Current(mA)	200
Max Peak Current (A)	6
Length (mm)	41
Rotor Inertia ( $gcm^2$ )	24
Mass (Kg)	0.3
Line to Line Resistance( $\Omega$ )	1.5

## Specifications

### Characteristics

#### Item

Hall Effect Angle	120°
Shaft run out	0,025mm
Insulation Class	B
Protection Class	IP40
Radial play (450g load)	0,02mm
Axial play (450g load)	0,08mm
Max. Radial force (10mm from flange)	28N
Max. Axial force	10N
Dielectric strength (for 1 min.)	500 VDC
Insulation Resistance (min. 500 VDC)	100 Mohm

### Connection

Lead n°	Color	Gauge	Function
1	Red	UL1430 AWG26	Vcc Hall +5 to +24 Vdc
2	Blue		Hall A
3	Green		Hall B
4	White		Hall C
5	Black		GND Hall
6	Yellow	UL1430 AWG20	Phase U
7	Red		Phase V
8	Black		Phase W