

FEATURES

- Dual socket to single plug T-adapter
- Robust Construction
- Cost-effective cable management
- 8 Way RJ45 Connector
- 15cm cable
- Shielded
- White plastic housing (ABS UL 94)
- T adapters must be installed in pairs

RS PRO Cat5e RJ45 T-Adapter, 2 Port, Unshielded, 170 mm Extension Length

RS Stock No.: 443-9165



RS Professionally Approved Products bring to you professional quality parts across all product categories. Our product range has been tested by engineers and provides a comparable quality to the leading brands without paying a premium price.

Product Description

The splitter is an easy way to wire two devices to a single RJ45 port by connecting three RJ45 cable assemblies. This might be handy for reducing the number of cables required to run multiple computers to a switch or hub, or simply as a cable coupler extender solution. The Cat. 5e t-adapter is ideal for ethernet cable applications. Wherever a hardwire network connection is preferred over wi-fi in LAN setups, cat5e cable and connectors are a reliable standard. The adapter works with two 10/100 LAN connections which transmit 10 and 100 Mbps.

General Specifications

| | |
|-----------------------------|--|
| Type | T-Adapter |
| Interface Type | RJ45 |
| LAN Category | Cat5e |
| Number of Ports | 2 |
| Shield Type | Unshielded |
| Wiring Configuration | Straight Through |
| Colour | White |
| Housing Material | ABS UL 94 |
| Application | Assuming they can run multiple computers to a single modem or hub. This is only partially true. An RJ45 adapter can act as a combiner for multiple computers, but another adapter acting as a splitter or network switch must be used when connecting to a network hub in order for the connection to work effectively. The advantages of the splitter combiner combination mean only having to run one cable, rather than separate cables, which is useful in permanent installations where space-saving and ease of maintenance are a concern. RJ45 adapters can sometimes work with RJ11 voice-only connections |

Mechanical Specifications

| | |
|--------|-------|
| Length | 170mm |
|--------|-------|

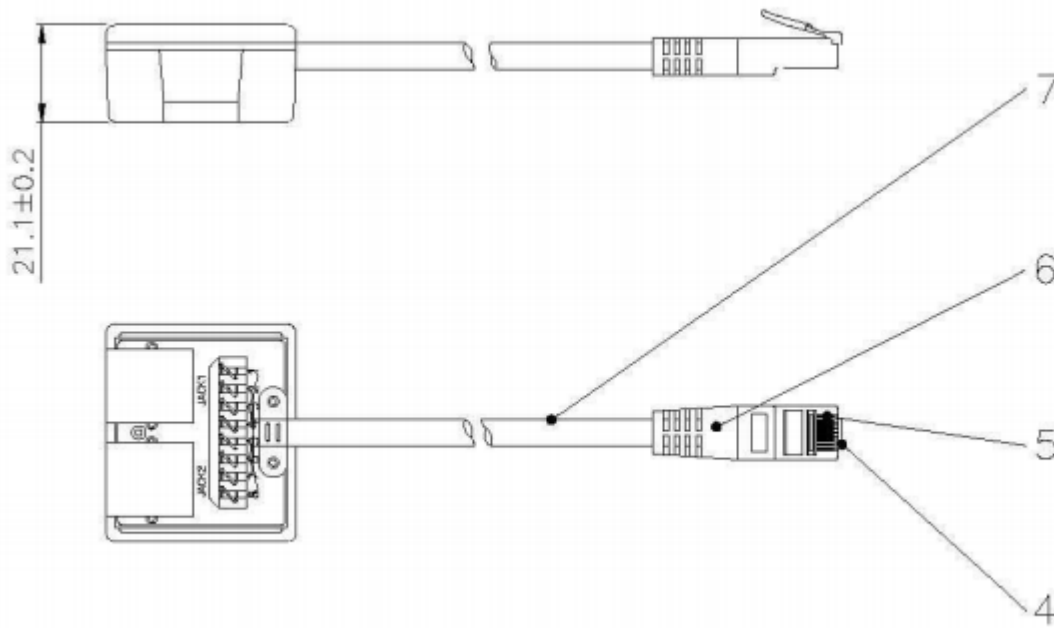
Operation Environment Specifications

| | |
|-----------------------|---------------|
| Operating Temperature | -40°C to 80°C |
|-----------------------|---------------|

Approvals

| | |
|---------------------------|---------------------------------|
| Compliance/Certifications | UL 94 / 2011/65/EU and 2015/863 |
|---------------------------|---------------------------------|





Wiring information

