

Datasheet

RS Pro Male IEC Filter Snap-In 5 x 20mm, faston, Rated At 6A, 250 V ac Operating Frequency 50 Hz, 60 Hz

RS Stock No: **386-4217**



Product Details

RS Pro male IEC filter offers snap in mounting and faston termination for added flexibility. It has a current rating 6 A and voltage rating of 250 V ac. This switch is suitable for operating frequencies ranging from 50 - 60 Hz.

Features and Benefits

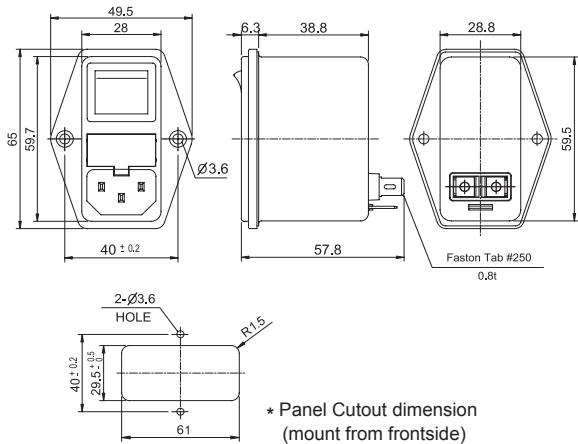
- Snap in mounting
- Meets IEC 950 and overvoltage category II of IEC 664
- 250 Faston terminals
- Double pole on/off switch and fuse holder incorporated

**Specifications:**

Current Rating	6 A
Depth	33.4 mm
Fuse Size	5 x 20 mm
Gender	Male
Height	65 mm
Mounting Type	Snap-In Mount
Number of Fuses	1
Operating Frequency	50 Hz, 60 Hz
Switch Type	2 Pole
Termination Method	Faston
Voltage Rating	250 V ac
Width	57.8 mm
Leakage Current	0.35 mA at 250 V; 50 Hz
Operating Temperature Range	-25 to +85°C
Standards Met	UL Listed; CSA Certified; TUV; IEC 950

Shapes and Dimensions

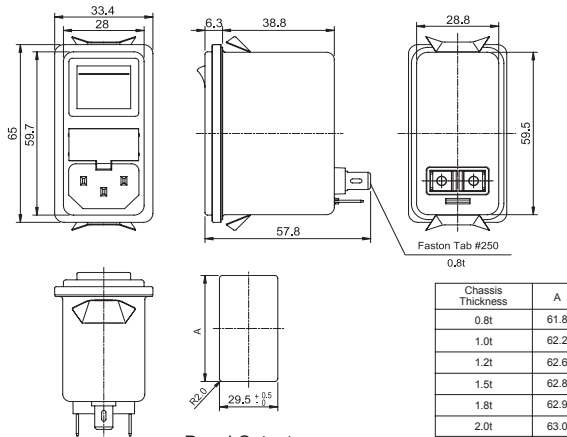
* RIP Series



* Panel Cutout dimension (mount from frontside)

* General tolerance : ± 0.5
 * Unit : mm
 * Metal Case

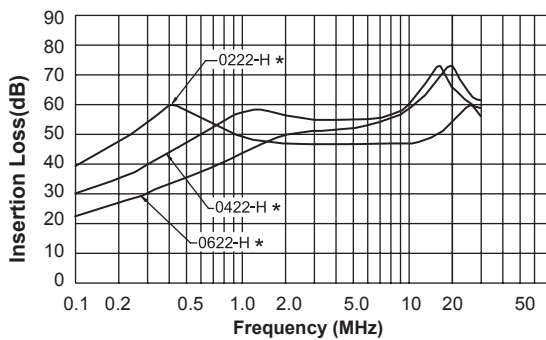
* RIQ Series



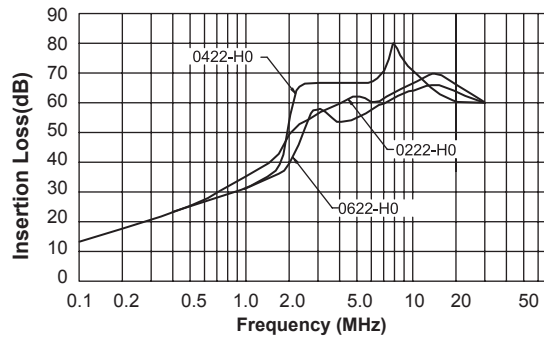
* Panel Cutout dimensions mounts from backside

Attenuation Characteristics

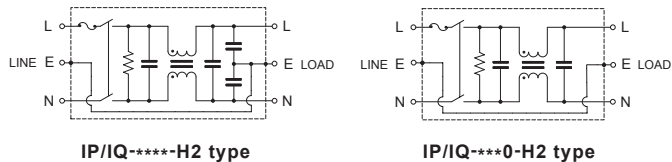
● Common Mode (IP/IQ-02/04/06*2-H*)



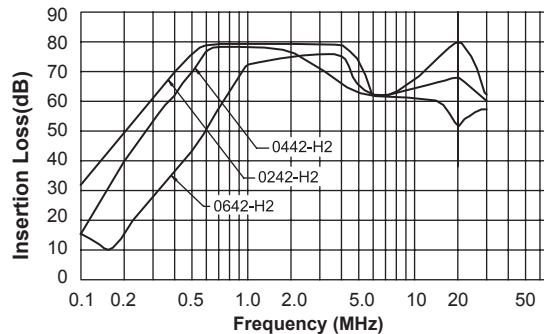
● Differential Mode (IP/IQ-**22-H0)



● Circuit Diagram



● Differential Mode (IP/IQ-**42-H2)



● Measurement configuration

