

FEATURES

- 2/2 way solenoid valve
- Pilot acting
- IP65 rated
- NBR seals

RS PRO Solenoid Valves

RS Stock No.: 2351126



Normally Closed

ELP Series

Product Description

| Part No. | Port Size | Voltage | Orifice |
|----------|-----------|----------|---------|
| 2351126 | G1" | AC 220 V | 25 mm |

Features

- 2/2 way solenoid valves
- Pilot acting
- IP65 rated
- NBR seals

General Specifications / Suitability

| | |
|--------------------------------------|--------------|
| Highest working temperature | +80°C |
| Lowest working temperature | -5°C |
| Steam | Not suitable |
| Oil | Very good |
| General chemical resistance | Normal |
| General acid resistance | Normal |
| General alkalinity resistance | Good |
| Water | Good |

Materials

| | |
|--------------|-------|
| Body | Brass |
| Seals | NBR |

Similar Products

| Part No. | Port Size | Voltage | Orifice | Model Description |
|----------|-----------|----------|---------|-------------------|
| 2351111 | G1/4" | DC 24 V | 3.0 mm | Direct Type NC |
| 2351112 | G3/8" | AC 220 V | 15 mm | Pilot Type NC |
| 2351113 | G3/8" | DC 24 V | 15 mm | Pilot Type NC |
| 2351114 | G3/8" | AC 220 V | 15 mm | Pilot Type NO |
| 2351115 | G3/8" | DC 24 V | 15 mm | Pilot Type NO |
| 2351116 | G1/2" | AC 220 V | 15 mm | Pilot Type NC |
| 2351117 | G1/2" | DC 24 V | 15 mm | Pilot Type NC |
| 2351118 | G1/2" | AC 24 V | 15 mm | Pilot Type NC |
| 2351119 | G1/2" | AC 220 V | 15 mm | Pilot Type NO |
| 2351121 | G1/2" | DC 24 V | 15 mm | Pilot Type NO |
| 2351122 | G3/4" | AC 220 V | 20 mm | Pilot Type NC |
| 2351123 | G3/4" | DC 24 V | 20 mm | Pilot Type NC |
| 2351124 | G3/4" | AC 220 V | 20 mm | Pilot Type NO |
| 2351125 | G3/4" | DC 24 V | 20 mm | Pilot Type NO |
| 2351126 | G1" | AC 220 V | 25 mm | Pilot Type NC |
| 2351127 | G1" | DC 24 V | 25 mm | Pilot Type NC |
| 2351128 | G1" | AC 24 V | 25 mm | Pilot Type NC |
| 2351129 | G1" | AC 220 V | 25 mm | Pilot Type NO |
| 2351130 | G1" | DC 24 V | 25 mm | Pilot Type NO |

Specifications

| Model | Direct Acting N.C. | | | | | | | | Direct Acting N.O. | | | | | | | |
|-----------------------------|---|------|--------|------|--------|------|-------|------|---|------|--------|------|-------|------|-------|------|
| Code | 2351111 | | | | | | | | | | | | | | | |
| Port Size | 1/8" | 1/4" | 1/8" | 1/4" | 1/8" | 1/4" | 1/8" | 1/4" | 1/8" | 1/4" | 1/8" | 1/4" | 1/8" | 1/4" | 1/8" | 1/4" |
| Orifice (mm) ❶ | 1.5 | | 2 | | 3 | | 4 | | 1.5 | | 2 | | 3 | | 4 | |
| Cv | 0.1 | | 0.18 | | 0.33 | | 0.55 | | 0.1 | | 0.18 | | 0.33 | | 0.55 | |
| Pressure Difference (Bar) | 0 - 30 | | 0 - 20 | | 0 - 13 | | 0 - 8 | | 0 - 30 | | 0 - 16 | | 0 - 8 | | 0 - 5 | |
| Acting Type | Direct Acting NC. | | | | | | | | Direct Acting NO. | | | | | | | |
| Power consumption | Standard type: AC:15VA DC10W Low power type: AC:4VA DC3W AC110V:7.0VA | | | | | | | | Standard type: AC:12VA DC10W Low power type: AC:4VA DC3W AC110V:7.0VA | | | | | | | |
| Guaranteed Pressure (Bar) | 45 | | | | | | | | | | | | | | | |
| Medium | Air, Water, Hot water, Oil (≤20CST) | | | | | | | | | | | | | | | |
| Working Temperature (°C) | -20 - 80 (No freezing) | | | | | | | | | | | | | | | |
| Voltage Range | -15 - 10% | | | | | | | | | | | | | | | |
| Insulations | F Class | | | | | | | | | | | | | | | |
| Protection grade | IP65(DIN40050) | | | | | | | | | | | | | | | |
| Valve Body Material | Brass | | | | | | | | | | | | | | | |
| Seal Material | VITON only | | | | | | | | | | | | | | | |

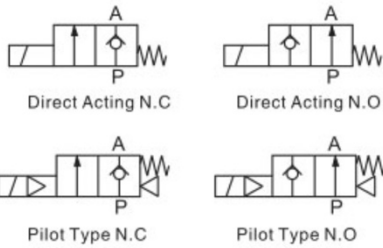
❶ G, PT, NPT thread type is optional.

| Model | Pilot Type N.C. | | | | Pilot Type N.O. | | | |
|-----------------------------|---|-------------------------------|---------|-------------------------------|---|---------|---------|---------|
| Code | 2351112 | 2351116 2351117 2351118 | 2351122 | 2351126 2351127 2351128 | 2351114 | 2351119 | 2351124 | 2351129 |
| Port Size ❶ | 3/8" | 1/2" | 3/4" | 1" | 3/8" | 1/2" | 3/4" | 1" |
| Orifice (mm) | 15 | | 20 | 25 | 15 | | 20 | 25 |
| Cv | 5.0 | 5.5 | 9.5 | 12.5 | 5.0 | 5.5 | 9.5 | 12.5 |
| Pressure Difference (Bar) | 0.5 - 16 | | | | 0.5 - 13 | | | |
| Acting Type | Diaphragm pilot type N.C. | | | | Diaphragm pilot type N.O. | | | |
| Power consumption | Standard type: AC:15VA DC10W Low power type: AC:4VA DC3W AC110V:7.0VA | | | | Standard type: AC:12VA DC10W Low power type: AC:4VA DC3W AC110V:7.0VA | | | |
| Guaranteed Pressure (Bar) | 25 | | | | 20 | | | |
| Medium | Air, Water, Hot water, Oil (≤20CST) | | | | | | | |
| Working Temperature (°C) | -20 - 80 (No freezing) | | | | | | | |
| Voltage Range | -15 - 10% | | | | | | | |
| Insulations | F Class | | | | | | | |
| Protection grade | IP65(DIN40050) | | | | | | | |
| Valve Body Material | Brass | | | | | | | |
| Seal Material | NBR, EPDM, VITON | | | | | | | |

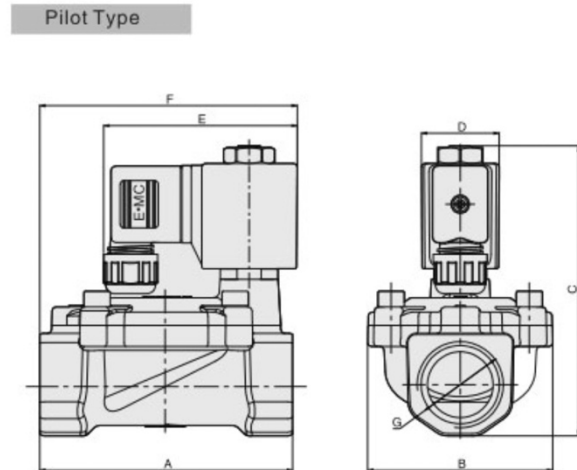
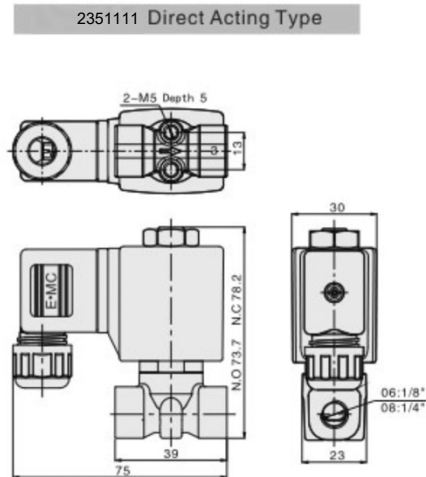
❶ G, PT, NPT thread type is optional.

Specifications

■ Symbol:



■ Mounting Dimension:

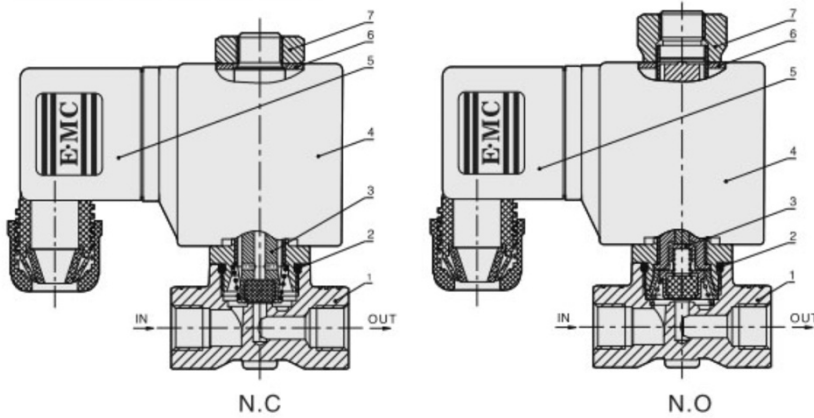


| Model | A | B | C | | D | E | F | G(Port) |
|---|----|----|-----|-------|----|----|----|---------|
| | | | N.C | N.O | | | | |
| 2351112, 2351113 2351114, 2351115 | 66 | 47 | 95 | 99.2 | 30 | 74 | 74 | 3/8" |
| 2351116, 2351117 2351118, 2351119, 2351121 | 66 | 47 | 95 | 99.2 | 30 | 74 | 74 | 1/2" |
| 2351122, 2351123 2351124, 2351125 | 75 | 56 | 102 | 106.2 | 30 | 74 | 79 | 3/4" |
| 2351126, 2351127 2351128, 2351129, 2351130 | 96 | 71 | 111 | 115.2 | 30 | 74 | 98 | 1" |

Specifications

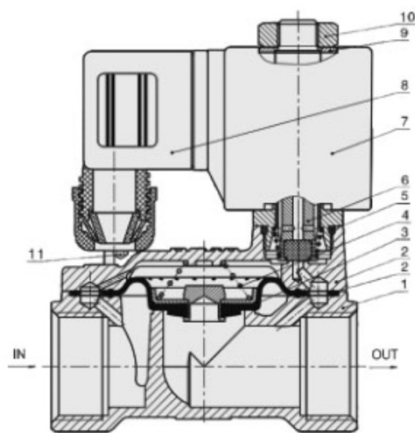
Inner Structure:

2351111 Direct Acting Type:



| No. | Part Name |
|-----|-----------------------|
| 1 | Valve Body |
| 2 | O-ring |
| 3 | Iron Core Components |
| 4 | Coil |
| 5 | Water Proof Connector |
| 6 | Internal Teeth Washer |
| 7 | Hexagon nut |

Pilot Type



| No. | Part Name |
|-----|-----------------------|
| 1 | Valve Body |
| 2 | Spacer |
| 3 | Diaphragm Components |
| 4 | Spring |
| 5 | O-ring |
| 6 | Iron Core Components |
| 7 | Coil |
| 8 | Water Proof Connector |
| 9 | Gasket |
| 10 | Internal Teeth Washer |
| 11 | Screw |

Specifications

Flow Chart:

