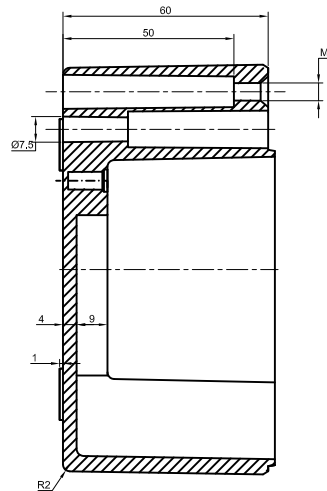
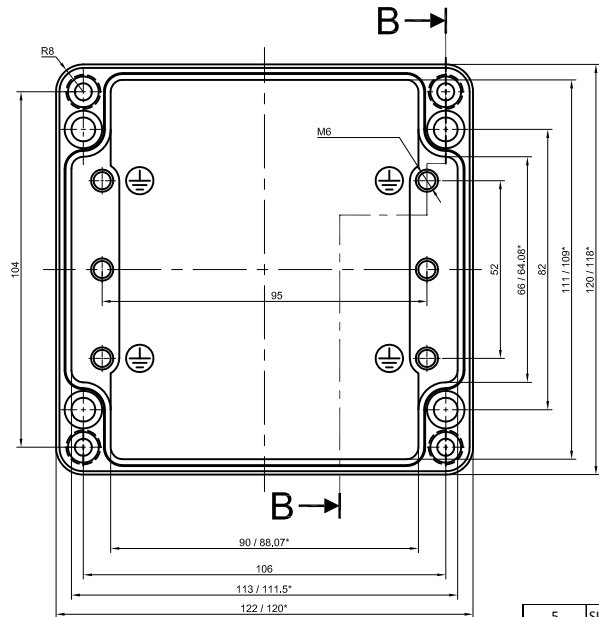
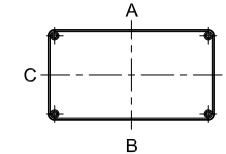
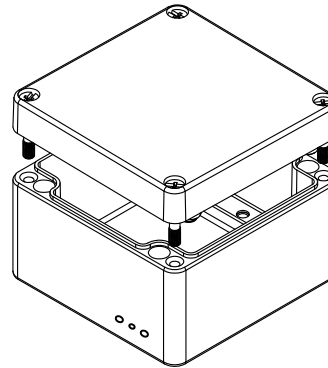


SECTION -A-A



SECTION B-B

**GENERAL SPECIFICATION AND AREA CLASSIFICATION:**

1. MATERIAL COMPOSITION - AISI 12
2. DEGREE OF PROTECTION IP66 AS PER IEC 60529 : 1989 +A1 : 2000
3. SERVICE TEMPERATURE RANGE : - 50 °C to +135 °C
4. ALL DIMENSIONS ARE IN mm. UNLESS STATED OTHERWISE.
5. SURFACE WILL PLAIN FINISH OR POWDER COATED.(RAL-7001)
6. THE JUNCTION BOX WILL BE MARKED WITH

7. II 2 G Ex e IIC Gb  
 II 2 D Ex tb IIC Db IP 66  
**0539**  
 DEMKO 13 ATEX 1327771U  
 IECEx UL 13.0042U

8. TRADE MARK

NOT TO BE REVISED WITHOUT NOTIFICATION TO THE ExCB/NOTIFIED BODY

Opening Detail (Size)	NO OF HOLES SIDE A/B	Min. Distance between the opening for Side A/B (mm)	NO OF HOLES SIDE C/D	Min. Distance between the opening for Side C/D (mm)	Opening Detail (Size) PG	NO OF HOLES SIDE A/B	Min. Distance between the opening for Side A/B (mm)	NO OF HOLES SIDE C/D	Min. Distance between the opening for Side C/D (mm)	Min. Distance of last opening from the enclosure end on side A/B (mm)	Min. Distance of last opening from the enclosure end on side C/D (mm)
M12	5	12	4	11	Pg.7	5	12	4	11	21	29
M16	5	12	4	11	Pg.9	5	12	4	11	21	29
M20	5	10	3	9	Pg.11	5	10	4	8	21	30
M25	2	15	1	-	Pg.13.5	4	10	3	9	22	33
M32	2	18	1	-	Pg.16	3	10	2	12	20	33
M40	-	-	-	-	Pg.21	2	21	2	11	22	27
M50	-	-	-	-	Pg.29	2	13	1	-	21	33
M63	-	-	-	-	Pg.36	-	-	-	-	-	-
-	-	-	-	-	Pg.42	-	-	-	-	-	-
-	-	-	-	-	Pg.48	-	-	-	-	-	-

5	SILICON GASKATE	JB-02GSK-11	SILICON	1
4	JB EXTERNAL EARTHING SET	-	AISI 304	1
3	LID MOUNTING SCREW	M6 JB-SCR-LD-00	AISI 304	4
2	JB-EARTHING SCREW	-	MS COPPER PLATED	2
1	JUNCTION BOX Ex-122 x 120 x 81	Ex-12212081	AISI 12	1
SR.NO.	PART NAME	DRAWING NO.	MATERIAL	QTY

B.O.M.

QUANTITY 1	MATERIAL :- <b>AISI 12 DIN230</b>	MACH.NAME -	DATE 17/02/14	SIGN MANOJ	NAME DRAWN	
 TOLERANCE ±0.2 DIMENSIONS ±0.2 HOLES ±1.0° ANGLES	WEIGHT: -	FINISH: NATURAL	TITLE :- JUNCTION BOX 122 x 120 x 81	DATE 17/02/14	SIGN G.K.	NAME CHECKED
	RAYCHEM RPG (P) Limited		SCALE	PARTNO. 0		
Ceat Mahal Annexe, Dr. Annie Besant Road, Worli, Mumbai 400030 Web: www.raychemrpg.com			 REV 0	DRG. NO. <b>Ex-AJB-12212081</b>		

PROPERTY OF RaychemRPG (P) LTD.  
 ALL RIGHTS RESERVED AND/OR PHOTOCOPYING THIS DOCUMENT  
 TO A PERSON WITHOUT RaychemRPG (P) LTD. WRITTEN AUTHORIZATION IS PROHIBITED