

Datasheet

T5.5 Filament Indicator Lamp, Telephone Slide, 220/250 V 2.6 mA

RS Stock No.104-783



T5.5 Neon Telephone Lamp
Integral current-limiting resistor

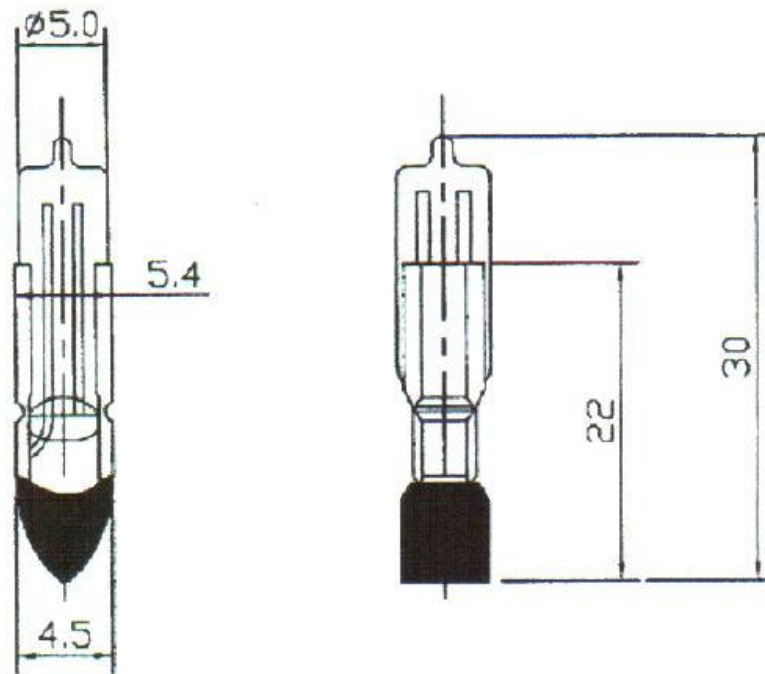
Lamp Base	Telephone Slide
Lamp Size	T5.5
Voltage Rating	220/250 V
Current Rating	2.6 mA
Length	30 mm
Life Hours	25000h

SPECIFICATION SHEET

RS Stock No.

104783

DRAWING - I



Unit : mm

1. Structure	Bulb Type	T5.5
	Bulb Diameter	Ø 5.0 Max.
	Length	30Max
	Base Type	T5.5
2. Design Characteristics	Voltage	220/250V
	Amperage	2.6mA±10%
	Gas Type	Neon gas-filled
	Life Hours	25,000Hrs