

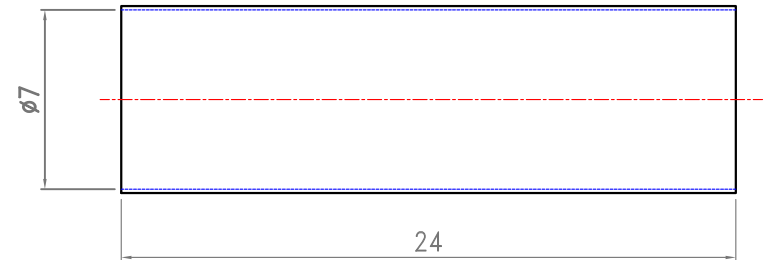
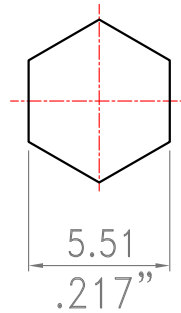
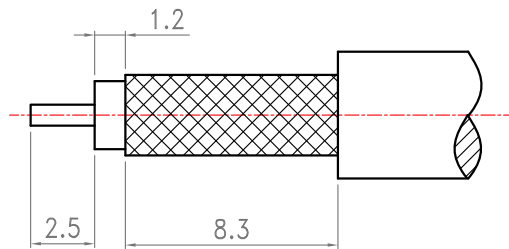
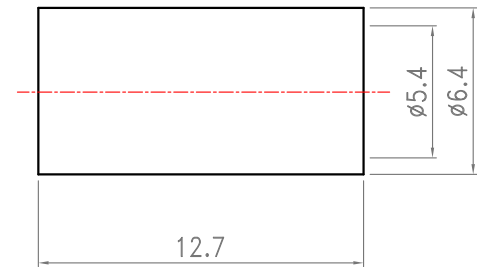
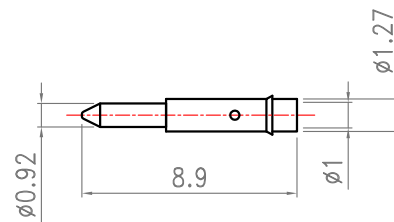
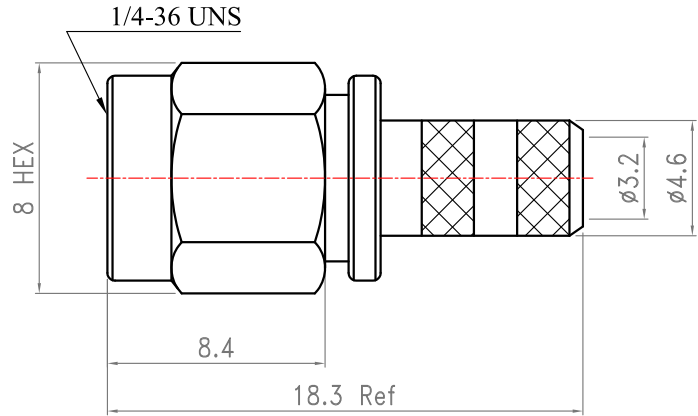
Revisions

Note: Revisions B; B-1; B-2..... On behalf of official Drawing.
 Revisions 1; 2; 3; 4..... On behalf of experiment's Drawing.

ISS	Symbol	Description	Date
B		CHE for New Drawing Frame & New PN System	2006/07/10

Note :

1. Single Crimp: Providing recommended dimensions for ferrule.
 Dual Crimp: Providing recommended dimensions for ferrule and center pin.
 Please advise Single/Dual in advance to avoid any inconvenience.
2. All metal material is in compliance with RoHs Directive
 2002/95/EC Annex 4 (1) Section 6 paragraph.
3. Recommended Crimped Hand Tool : for Ferrule P/N - **HT-301V1**



Recommended Cable Stripping Dimensions

Recommended Crimped Dimensions for Ferrule

*"Change new drawing frame in Blue Color since 2009/07/01 to comply with Company CIS Policy."

RoHS COMPLIANCE

ITEM	Description	Material	Finish	Part Number	QTY	Scale	Abbr.	Date	Rev.	Proprietary Note	DWG.NO.	
6	Shrinking Tube	PE	Black			NTS	ST	2012/02/14	B	This document contains information proprietary to S-Conn, which is either copyrighted, or patent applied for, and / or protected by trade secret laws. This document or parts thereof, may not be used, disclosed or reproduced in any form by any method, or for any purpose, without the written permission of S-Conn, Taiwan Customer P/N:	S101L0G27-H-4	
5	Ferrule	Brass	Gold			Tolerances : .X ±0.2 .XX ±0.1 .XXX±0.05					TITLE	SMA Straight Crimp Plug
4	Pin	Brass	30u"Gold			All Dimensions in mm (Unless Otherwise Specified)					for RG58,LMR195,HDF195,URM43;76,B9907,PSF1/6 Cable	
3	Insulator	PTFE	None			Drawn	Checked	Approved				
2	Body	Brass	Gold			Mark	Ryan	G. Sun				
1	Shell	Brass	Gold			2012/02/14	2012/02/14	2012/02/14				



S-Conn Enterprise Co., Ltd.

ISO 9001 Certified