

ANSI 150# Cast Steel Flange End Gate Valves

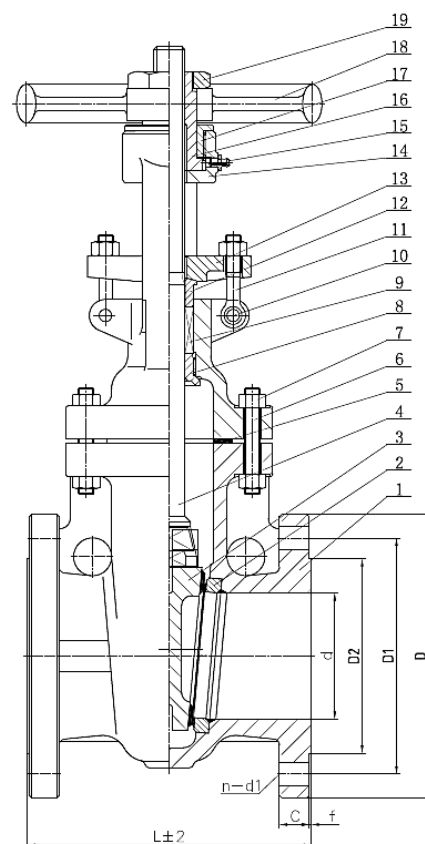
Features

- ANSI 150# Flange Connection
- Size: 2" – 4" (DN50 – DN100)
- Valve Body Material: Cast Steel
- Working Pressure: 150#
- Applicable Medium: General oil, gas and water applications
- Temperature Range: $\leq 425^{\circ}\text{C}$



Material List

No.	Part Name	Material
1	Body	ASTM A216 WCB
2	Seat	ASTM A105 + 13%Cr
3	Wedge	ASTM A216 WCB + 13%Cr
4	Stem	ASTM A182 F6a
5	Gasket	A3 + Graphite
6	Bolt	ASTM A193 B7
7	Nut	ASTM A194 2H
8	Back Seat	ASTM A276 410
9	Packing	Flexible Graphite
10	Pin	AISI 1035
11	Eye Bolt	AISI 1032
12	Gland	ASTM A276 410
13	Gland Flange	ASTM A216 WCB
14	Bonnet	ASTM A216 WCB
15	Nipple	Assembly
16	Stem Nut	ASTM A439 D2
17	Nut	AISI 1035
18	Handwheel	WCB
19	Lock Nut	AISI 1035



Technical Specifications

1. Basic design and manufacture according to API 600
2. Face to face dimension: ASME B16.10
3. Flange End: ASME B16.5
4. Inspection and test: API 598

Main Technical Parameter			
Normal pressure		150PSI	
Test pressure	Shell test	3.0	MPa
	Back Seal test	2.2	
	Seal test	2.2	
	Gas test	0.6	
Max working temperature		$\leq 425^{\circ}\text{C}$	
Applicable Medium: General oil, gas & water			

ANSI 150# Cast Steel Flange End Gate Valves

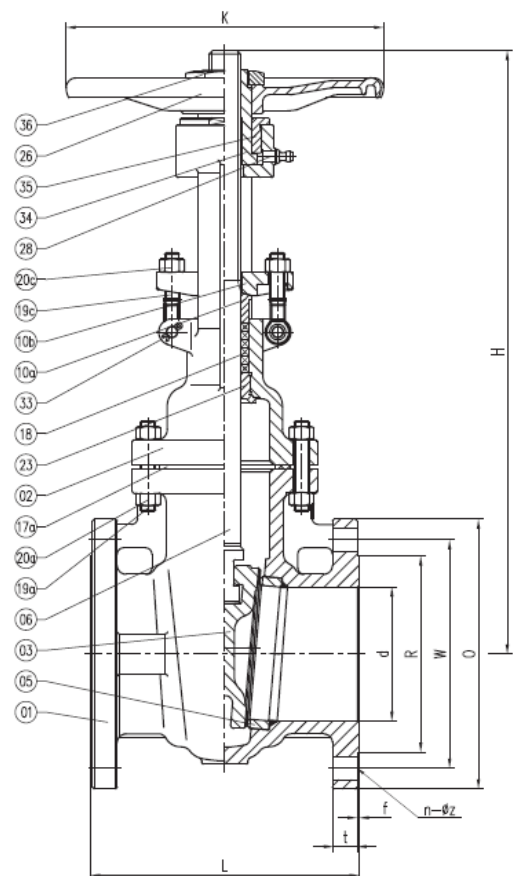
Features

- ANSI 150# Flange Connection
- Size: 5" – 6" (DN125 – DN150)
- Valve Body Material: Cast Steel
- Working Pressure: 150#
- Applicable Medium: General oil, gas and water applications
- Temperature Range: -29°C to 425°C



Material List

No.	Part Name	Material
1	Body	ASTM A216 WCB
2	Bonnet	ASTM A216 WCB
3	Wedge	ASTM A216 WCB + 13%Cr
5	Seat	ASTM A105 + 13%Cr
6	Stem	ASTM A182 F6a
10a	Packing Gland	ASTM A276 410
10b	Gland Flange	ASTM A216 WCB
17a	Gasket	SS304 + Graphite
18	Packing	Flexible Graphite
19a	Bolts	ASTM A193 B7
19c	Eye Bolts	ASTM A193 B7
20a	Nuts	ASTM A194 2H
20c	Nuts	ASTM A194 2H
23	Back Seat	ASTM A276 410
26	Handwheel	ASTM A47 32510
28	Stem Nut	ASTM B148 C95800
33	Pin	ASTM A29 1045
34	Stem Nut	ASTM B148 C95800
35	Cover	ASTM A29 1025
36	Nut	ASTM A29 1025



Technical Specifications

1. Basic design and manufacture according to API 600
2. Face to face dimension: ASME B16.10
3. Flange End: ASME B16.5
4. Inspection and test: API 598

Main Technical Parameter			
Normal pressure		150PSI	
Test pressure	Hydraulic Body test	3.1	MPa
	Back Seal test	2.2	
	Seat test	2.2	
	Hermetical Seal test	0.6	
Max working temperature		-29°C to 425°C	
Applicable Medium: General oil, gas & water			

Ordering Information

VL - CS - GA - F - 150 - 32
 I II III IV V VI

I Type of Item

VL Low Pressure Valves

II Material Grade

S SS316, CF8M CI Cast Iron
 FS Forged Steel CS Cast Steel
 B Brass

III Item

GA Gate Valve B1 1 PC Ball Valve
 GL Globe Valve B2 2 PC Ball Valve
 YS Y-Strainer B3 3 PC Ball Valve
 SC Swing Check Valve BL 3 Way Ball Valve L Port
 VC Vertical Check Valve BT 3 Way Ball Valve T Port
 WC Wafer Check Valve BMF Male x Female Mini Ball Valve
 DD Dual Disk BU Butterfly Valve

IV Connection Type

SW S/W G BSPP
 BW B/W N NPT
 R BSPT F Flange End
 W Wafer L Lug

V Pressure

200 200 PSI 2000 2000 PSI
 300 300 PSI 150 ANSI 150# Flange Standard
 600 600 PSI 10K JIS 10K Flange Standard
 800 800 PSI PN16 PN 16 Flange Standard
 1000 1000 PSI

For Inch OD & Inch NB Sizes

VI Size

Size	1/8"	1/4"	5/16"	3/8"	1/2"	5/8"	3/4"	1"
Code	02	04	05	06	08	10	12	16
Size	1 1/4"	1 1/2"	2"	2 1/2"	3"	4"	5"	6"
Code	20	24	32	40	48	64	80	96

VII Coating

(None) No Additional Coating
 NI Nickel Plating

Dimension List

DN50 – DN100

NPS	Part No	d	L	D	D1	D2	n – d1	C	f	Weight (Kg)
2"	VL-CS-GA-F-150-32	51	178	150	120.7	92.1	4-Ø19	14.3	2	15.70
2-1/2"	VL-CS-GA-F-150-40	65	190	180	139.7	104.8	4-Ø19	15.9	2	20.65
3"	VL-CS-GA-F-150-48	76	203	190	152.4	127	4-Ø19	17.5	2	27.80
4"	VL-CS-GA-F-150-64	102	229	229	190.5	157	8-Ø19	22.3	2	42.50

DN125 – DN150

NPS	Part No	d	L	O	W	R	n – Øz	K	H	t	f	Weight (Kg)
5"	VL-CS-GA-F-150-80	127	254	255	215.9	185.7	8-Ø22	300	676	22.3	2	57.50
6"	VL-CS-GA-F-150-96	152	267	280	241.3	215.9	8-Ø22	300	766	23.9	2	66.00

Part Number Reference

Part No	Description
VL-CS-GA-F-150-32	2" 150# CS FLANGE END GATE VALVE RF, RISING STEM, SS410 STEM
VL-CS-GA-F-150-40	2 1/2" 150# CS FLANGE END GATE VALVE RF, RISING STEM, SS410 STEM
VL-CS-GA-F-150-48	3" 150# CS FLANGE END GATE VALVE RF, RISING STEM, SS410 STEM
VL-CS-GA-F-150-64	4" 150# CS FLANGE END GATE VALVE RF, RISING STEM, SS410 STEM
VL-CS-GA-F-150-80	5" 150# CS FLANGE END GATE VALVE RF, RISING STEM, SS410 STEM
VL-CS-GA-F-150-96	6" 150# CS FLANGE END GATE VALVE RF, RISING STEM, SS410 STEM