



Datasheet

RS PRO Hermetically Sealed Enclosures

Stock number: 1920709

EN

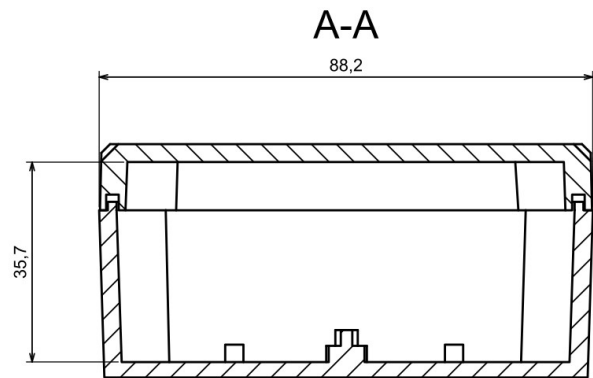
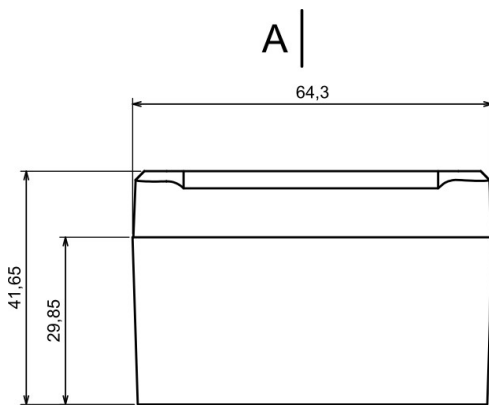


Product Details

Hermetic enclosure ideal for applications requiring protection against water ingress. Supplied with silicon gasket that provides IP65 rating.

Features and Benefits

- Made of ABS
- Available in light gray color
- Protection against liquids and solid objects: IP65 rating
- Protection against mechanical impacts: IK09 rating
- Supplied with silicon gasket and four screws

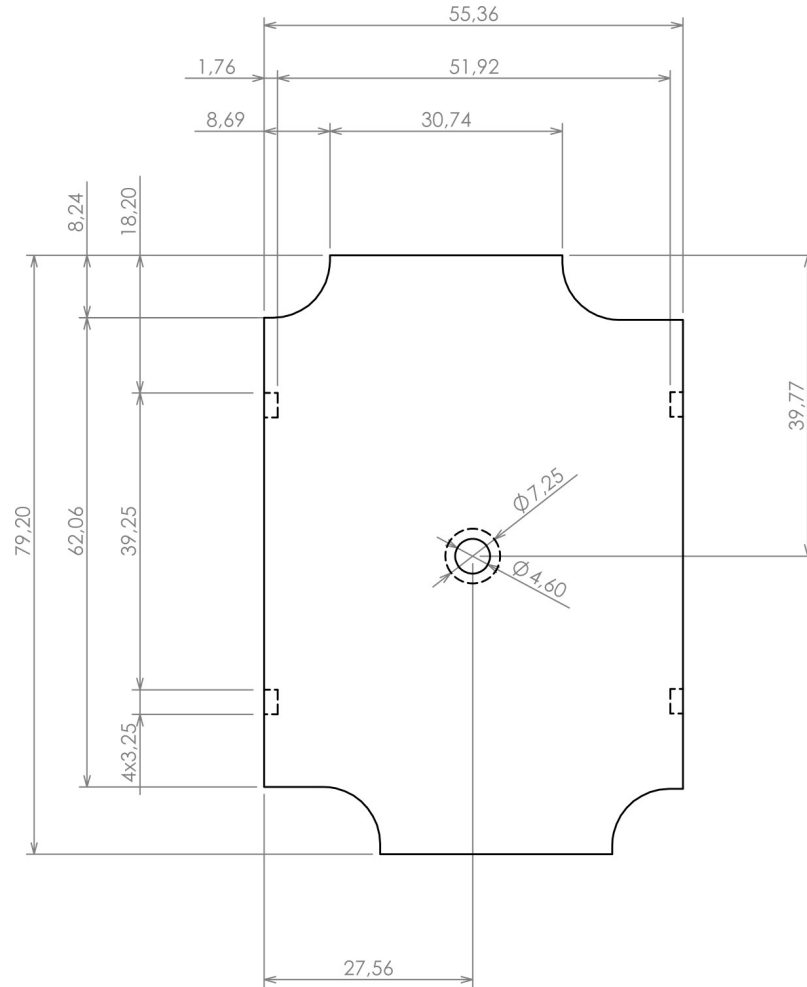


A |

Category	Hermetically sealed enclosures
Type	Full
Material	ABS
Variant	Hermetic (with gasket) (H)
Height	41.7 mm
Width	64.3 mm
Length	88.2 mm
Color	Lightgray (J)
Protection level	IP65
Shock protection level	IK09
Standards Met	RoHS Compliant
Accessories	Screw 3.5/25: 4.0 pcs
Certificate number	CE/032/18



Max PCB size



Dashed line shows outline of the mounting boss under PCB board
 Recommended mounting holes diameter $\phi 4$ mm
 All dimensions are given within $\pm 0,5$ mm tolerance