

# Right Angle Metal XLR Connectors **multicomp** PRO

RoHS  
Compliant



MP60953N MP60963N



MP60954N MP60964N



MP60955N MP60965N

## Specification

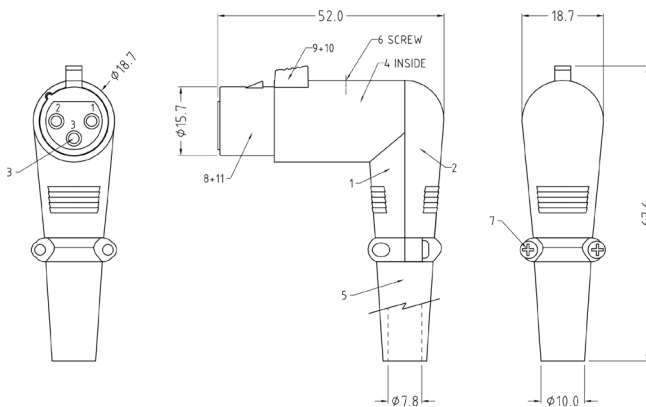
Contact Resistance	: $\leq 5m\Omega$
Insulation Resistance	: $\geq 5000M\Omega$
Withstand Voltage	: 1400V
Durability (Mating / Unmating)	: $\geq 2000$
Insertion and Extraction Force	: 10N to 80N



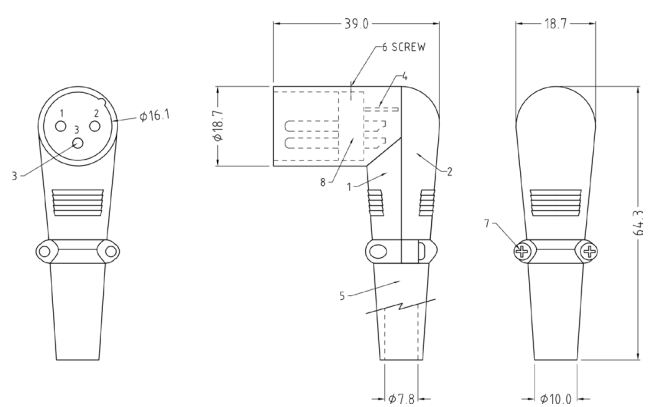
MP60957N MP60967N

## Diagram

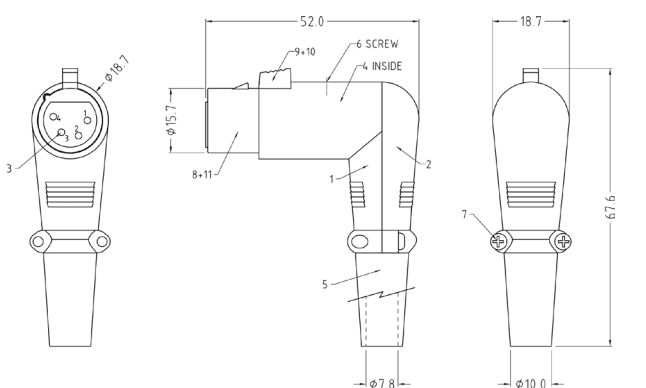
MP60953N



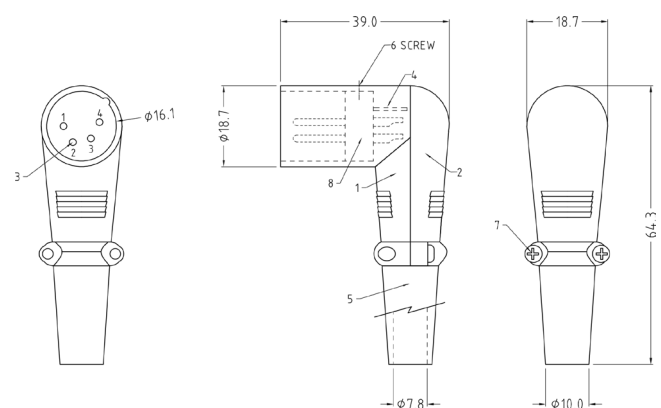
MP60963N



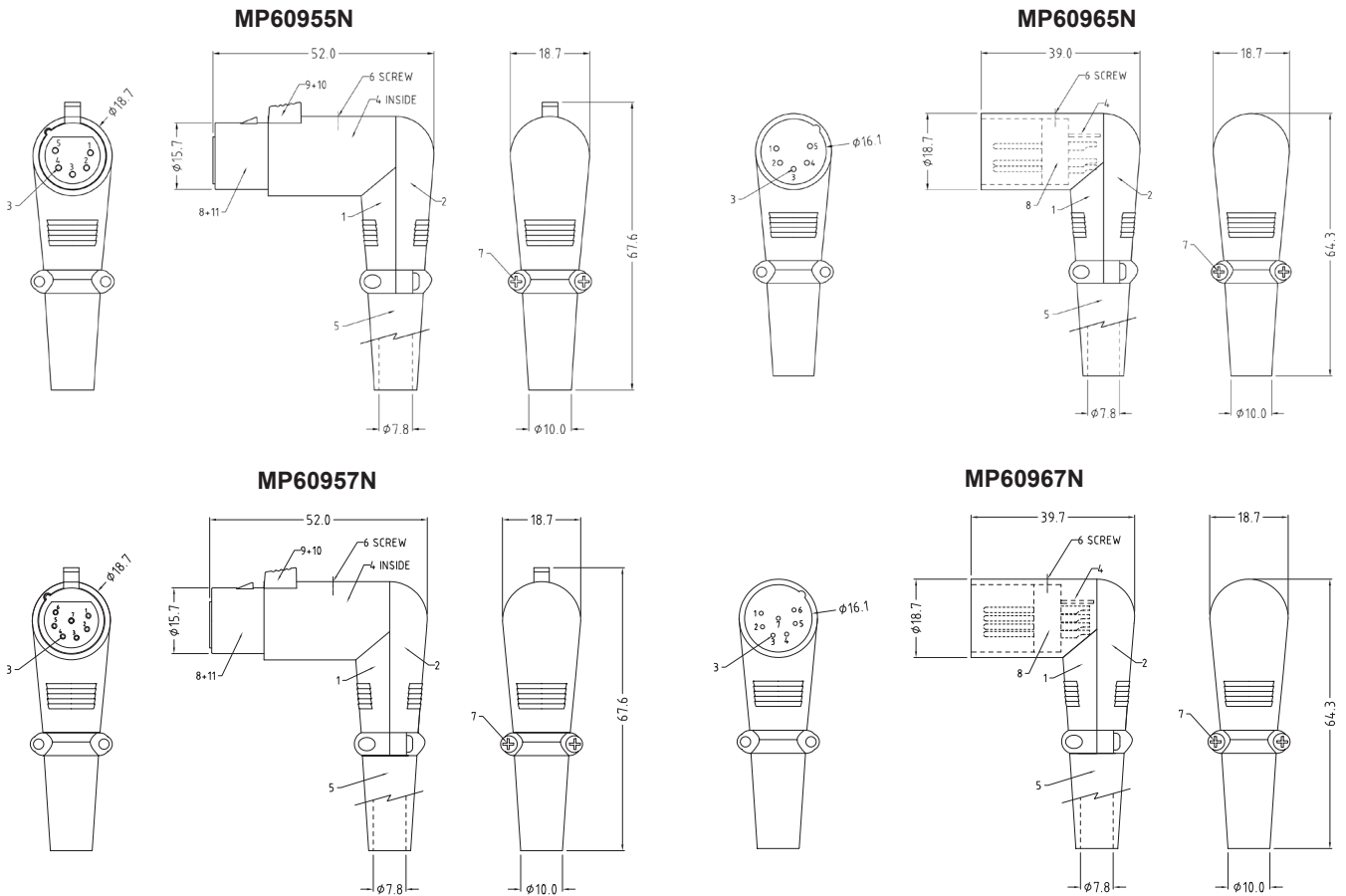
MP60954N



MP60964N



# Right Angle Metal XLR Connectors **multicomp** PRO



## Materials

Item	Description	Material	Finish
1	Body (Front)	Zinc Alloy	Nickel Plate
2	Body (Rear)	Zinc Alloy	Nickel Plate
3	Contacts	Brass	Silver Plate
4	Earth Contact	Steel	Tin Plate
5	Grommet	PVC	Black
6	Top Screw	Steel	Nickel Plate
7	Screw	Steel	Nickel Plate
8	Insert	PBT	Black
9	Button	Zinc Alloy	Nickel Plate
10	Spring	Spring Steel	Black
11	Casing	Brass	Nickel Plate

Dimensions : Millimetres

## Part Number Table

Description	Part Number
Metal XLR Connector, 3 Pin, Female, Right Angle	MP60953N
Metal XLR Connector, 3 Pin, Male, Right Angle	MP60963N
Metal XLR Connector, 4 Pin, Male, Right Angle	MP60964N
Metal XLR Connector, 4 Pin, Female, Right Angle	MP60954N
Metal XLR Connector, 5 Pin, Female, Right Angle	MP60955N
Metal XLR Connector, 5 Pin, Male, Right Angle	MP60965N
Metal XLR Connector, 7 Pin, Female, Right Angle	MP60957N
Metal XLR Connector, 7 Pin, Male, Right Angle	MP60967N

**Important Notice** : This data sheet and its contents (the "Information") belong to the members of the AVNET group of companies (the "Group") or are licensed to it. No licence is granted for the use of it other than for information purposes in connection with the products to which it relates. No licence of any intellectual property rights is granted. The Information is subject to change without notice and replaces all data sheets previously supplied. The Information supplied is believed to be accurate but the Group assumes no responsibility for its accuracy or completeness, any error in or omission from it or for any use made of it. Users of this data sheet should check for themselves the Information and the suitability of the products for their purpose and not make any assumptions based on information included or omitted. Liability for loss or damage resulting from any reliance on the Information or use of it (including liability resulting from negligence or where the Group was aware of the possibility of such loss or damage arising) is excluded. This will not operate to limit or restrict the Group's liability for death or personal injury resulting from its negligence. DURATOOL is the registered trademark of Premier Farnell Limited 2019.

Newark.com/multicomp-pro  
 Farnell.com/multicomp-pro  
 Element14.com/multicomp-pro

**multicomp** PRO