

**Datasheet**

# RS PRO INDUCTIVE PROXIMITY SENSORS

Stock No: 2066171





## Detailed technical data

### Features

Housing	Rectangular
Dimensions (W x H x D)	10 mm x 28 mm x 16 mm
Sensing range $S_n$	3 mm
Safe sensing range $S_a$	2.43 mm
Installation type	Flush
Switching frequency	+ 2,000 Hz
Connection type	Connector M8, 3-pin
Switching output	PNP
Output function	NO
Electrical wiring	DC 3-wire
Enclosure rating	IP68 <sup>1)</sup>

<sup>1)</sup> According to EN 60529.

### Mechanics/electronics

Supply voltage	10 V DC ... 30 V DC
Ripple	≤ 10 % <sup>1)</sup>
Voltage drop	≤ 2 V <sup>2)</sup>
Current consumption	10 mA <sup>3)</sup>
Time delay before availability	≤ 100 ms
Hysteresis	5 % ... 15 %
Reproducibility	≤ 2 % <sup>4)</sup>
Temperature drift (of $S_r$ )	± 10 %
EMC	According to EN 60947-5-2
Continuous current $I_a$	≤ 200 mA

Short-circuit protection	✓
Reverse polarity protection	✓
Power-up pulse protection	✓
Shock and vibration resistance	30 g, 11 ms / 10 ... 55 Hz, 1 mm
Ambient operating temperature	-30 °C ... +75 °C
Housing material	Plastic, VISTAL®
Sensing face material	Plastic, VISTAL®
Tightening torque, max.	≤ 1 Nm

1) Of  $V_s$ .

2) At  $I_a$  max.

3) Without load.

4)  $U_b$  and  $T_a$  constant.

### Safety-related parameters

MTTF <sub>D</sub>	1,775 years
DC <sub>avg</sub>	0%

### Reduction factors

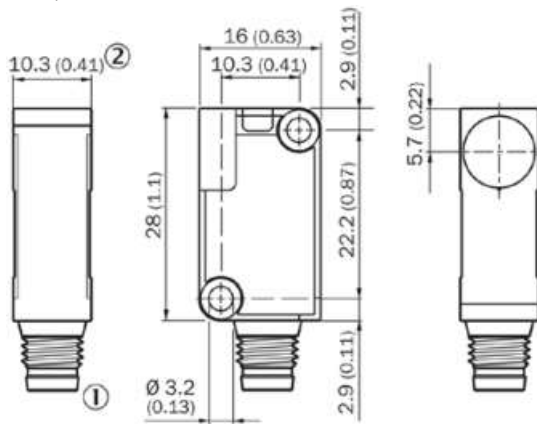
Note	The values are reference values which may vary
Stainless steel (V2A, 304)	0.7
Aluminum (Al)	+ 0.4
Copper (Cu)	0.3
Brass (Br)	+ 0.5

### Installation note

Remark	Associated graphic see "Installation"
A	0 mm
B	10 mm
C	10.3 mm
D	9 mm
E	0 mm
F	24 mm
G	0 mm

## Dimensional drawing (Dimensions in mm (inch))

IQ10, connector

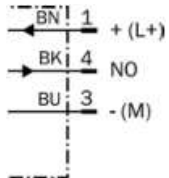


1 Connection

2 LED indicator 270°

## Connection diagram

Cd-002



## Instruction for installation

