

# Datasheet

## s.28 DZR compression ends

Full port 12-54mm dezincification-resistant hot forged ball valves



### Quality:

- 24h 100% seal test guaranteed
- Dual sealing system allows valve to be operated in either direction making installation easier
- No metal-to-metal moving parts
- Handle clearly shows ball position
- Silicone-free lubricant on all seals
- Travel stops on body to avoid stresses at stem
- Chrome plated DZR brass ball for longer life

### Body:

- Hot forged sand blasted DZR unplated body and cap sealed with Loctite® or equivalent thread sealant
- Dezincification Resistant ADZ-T and ADZ-P brass approved to SBN-PFS 1983:2 and NR-BFS 1988:18 specifications

### Stem:

- Two FPM O-rings at the stem for maximum safety
- Blowout-proof unplated DZR brass stem

### Seals:

- Pure PTFE self-lubricating seats with flexible-lip design

### PED Directives:

- The product described in this document meets the requirements of PED Directive 97/23 and according to art.3 par.3, it does not require CE marking; it cannot be used with dangerous gases in sizes larger than 25mm; it cannot be used with non-dangerous gases in sizes larger than 40mm



### Threads:

- Compression ends to EN 1254-2 and NKB no.12

### Flow:

- Full port to DIN 3357 for maximum flow

### Handle:

- Geomet® carbon steel handle with thick PVC dip coating. Handle coating offers both thermal and electrical protection
- Handle removable with valve in service

### Working Pressure:

- 16 Bar (230 PSI)
- non-shock cold working pressure

### Working Temperature:

- -20°C (-4°F) / +120°C (+250°F)
- Warning: freezing of the fluid in the installation may severely damage the valve

### Options:

- T-handle
- Oval lockable handle
- AISI 430 stainless steel handle
- Patented locking device
- Compression ends with extended stem for insulation
- Add-on Brass stem extension

### Upon Request:

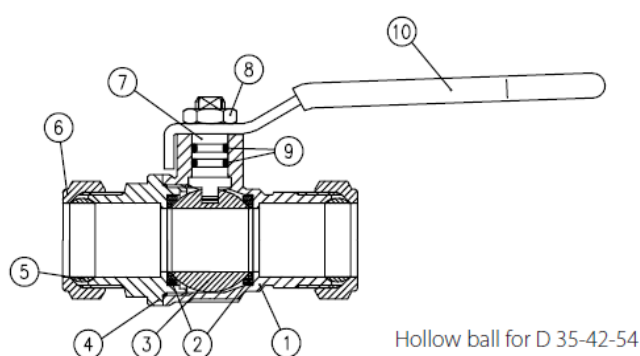
- AISI 316 stainless steel ball
- Glass filled PTFE seals
- Custom Design

**Approved by or in compliance with:**

- Swedcert (Sweden)
- Water Regulations Advisory Scheme (United Kingdom)
- GOST-R (Russia)
- Hygiene and epidemic center in Moscow city (Russia)
- UkrSepro (Ukraine)
- RoHS Compliant

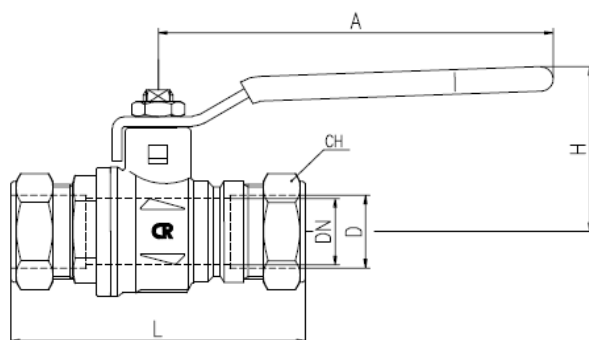
- EAC - Declaration of conformity (Russia-Kazakhstan-Belarus)

**NOTE:** Approvals apply to specific configurations/sizes only.



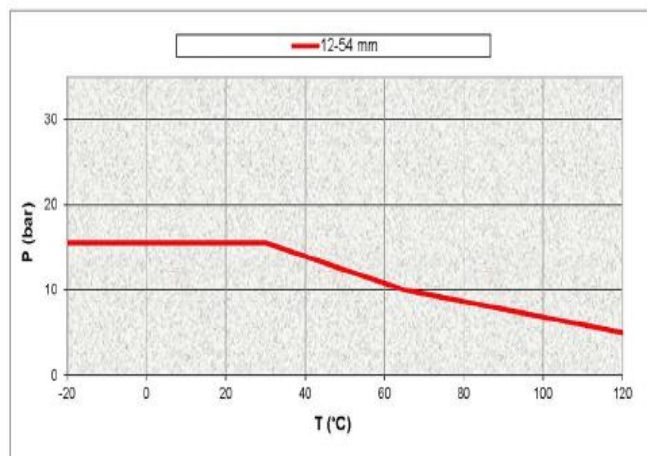
Hollow ball for D 35-42-54

PART DESCRIPTION	Q.TY	MATERIAL	
1	Unplated body	1	CW602N
2	Ball seat	2	PTFE
3	Chrome plated ball	1	CW602N
4	Unplated end cap	1	CW602N
5	Olive	2	CW617N
6	Unplated nut	2	CW617N
7	Unplated stem O-ring design	1	CW602N
8	Geomet® nut	1	CB4FF
9	O-Ring	2	FPM
10	White PVC coated Geomet® steel handle	1	DD11



Valve code	S28C12	S28D15	S28D18	S28E22	S28F28	S28G35	S28H42	S28I54
D (mm)	12	15	18	22	28	35	42	54
DN (mm)	10	15	15	20	25	32	40	50
L (mm)	67	72	78.5	79	90.5	110	128.5	142
A (mm)	100	100	100	120	120	158	158	158
H (mm)	38	43	43	50	54	73	79	86
CH (mm)	19	24	27	32	38.5	48	54	70

**Pressure-Temperature Chart**



**Pressure Drop Chart**

