

FEATURES

- Screw affixing method
- Clamp width of 10 mm
- Bright Zinc Plated (BZP)

RS PRO Cable Clip Black Screw Plated Steel P Clamp, 40mm Max. Bundle

RS Stock No.: 287-5581



RS PRO Professionally Approved Products bring to you professional quality parts across all product categories. Our product range has been tested by engineers and provides a comparable quality to the leading brands without paying a premium price.

Product Description

From RS PRO, this robust P Clip is ideal for securely holding pipes, cables and hoses in permanent or semi-permanent installations. The plated steel clip has a rubber insert which offers a secure grip which minimizes shifting. The clamp simply wraps around the cable or conduit, and screws together into a fixed surface. This simple affixing method ensures versatility as to where the clamp can be placed.

General Specifications

Material	Plated Steel
Colour	Black
Affixing Method	Screw
Cable Clip/Clamp Style	P-clamp
Finish	Bright Zinc Plated
UV-Resistant	No
Applications	P clips, or pipe clips, are used whenever fasteners are need to secure lengths of flexible conduit or cable to a fixed position. They can be used in the automobile industry or wherever rubber or plastic hosing needs to be held in place.

Mechanical Specifications

Dimensions	19.1mm x 2.4mm
Width	19.1mm
Depth	2.4mm
Maximum Bundle Diameter	40mm

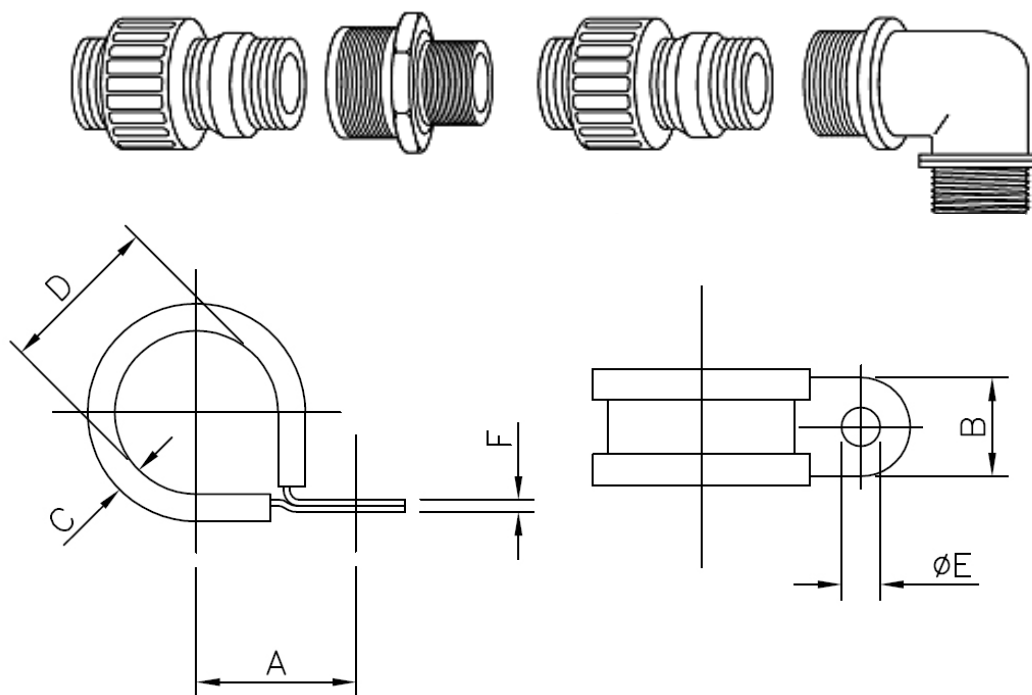
Operation Environment Specifications

Maximum Temperature	-25°C
Minimum Temperature	105°C

Approvals

Compliance/Certifications	RoHS certificate of compliance
----------------------------------	--------------------------------





Dimensions in mm

PART No	A	B	C	D	øE	F
186-5353	13.5	12.7	3.5	9.5	5.2	1.4
186-5375	15.3	12.7	3.5	14.0	5.2	1.4
186-5381	17.3	12.7	3.5	17.0	5.2	1.4
186-5397	19.3	12.7	3.5	21.0	5.2	1.4
186-5404	21.5	12.7	3.5	25.5	5.2	1.4
186-5410	25.8	12.7	3.5	34.0	5.2	1.4
287-5581	37.3	19.1	4.5	44.5	10.2	2.4
287-5597	43.5	25.4	4.5	57.2	14.2	2.4