

## FEATURES

- High precision, sensitive response
- Steady output pressure
- Large flow rate and steady flow output
- Easy installation:  
Independent installation by bracket; Bottom installation; Direct installation with existing modular air preparation

# RS PRO Precision Pressure Regulator

RS Stock No.: 2351134



Supplied with gauge, without bracket

### Product Description

| Part No. | Port Size | Pressure Range  |
|----------|-----------|-----------------|
| 2351134  | G1/4"     | 0.01 to 0.8 MPa |

## Features

- High precision, sensitive response
- Steady output pressure
- Large flow rate and steady flow output
- Easy installation: Independent installation by bracket; Bottom installation; Direct installation with existing modular air preparation

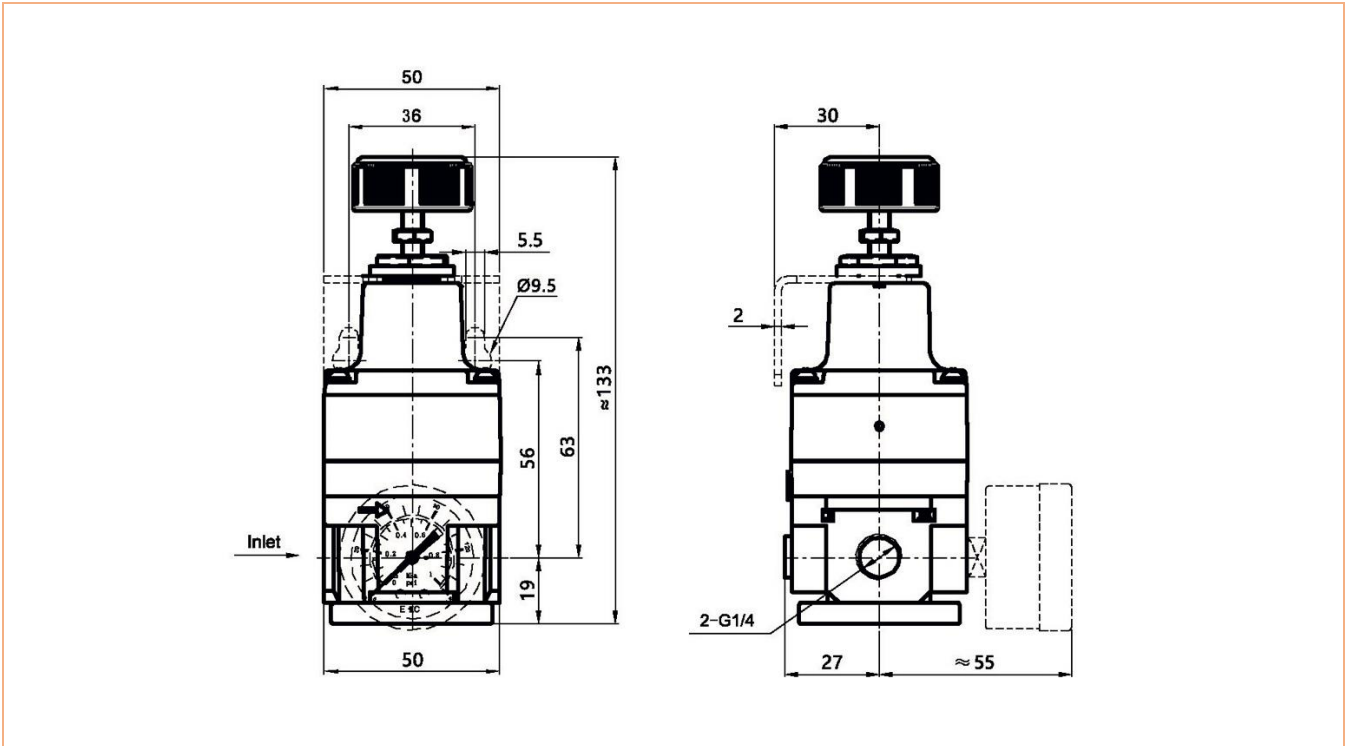
## General Specifications

|                               |                |
|-------------------------------|----------------|
| <b>Maximum input pressure</b> | 10 bar         |
| <b>Working temperature</b>    | -20°C to +70°C |
| <b>Working medium</b>         | Clean air      |

## Materials

|                                   |                       |
|-----------------------------------|-----------------------|
| <b>Pilot regulate button</b>      | Plastic               |
| <b>Pilot regulate axle</b>        | Carbon steel          |
| <b>Hex nut</b>                    | Free machining steel  |
| <b>Flat washer</b>                | SPCC                  |
| <b>Pilot regulate seat</b>        | Aluminium             |
| <b>Spring</b>                     | Spring steel          |
| <b>Nozzle</b>                     | Aluminium             |
| <b>Middle and main body valve</b> | Aluminium             |
| <b>Bottom cover</b>               | Aluminium             |
| <b>Filter element</b>             | High polymer material |

**Dimensions**



**Similar Products**

| Part No. | Port Size | Pressure Range   | Description                    |
|----------|-----------|------------------|--------------------------------|
| 2351135  | G1/4"     | 0.01 to 0.8 MPa  | Without gauge, with bracket    |
| 2351137  | G1/4"     | 0.005 to 0.2 MPa | Without gauge, without bracket |
| 2351138  | G1/4"     | 0.01 to 0.4 MPa  | With gauge, without bracket    |