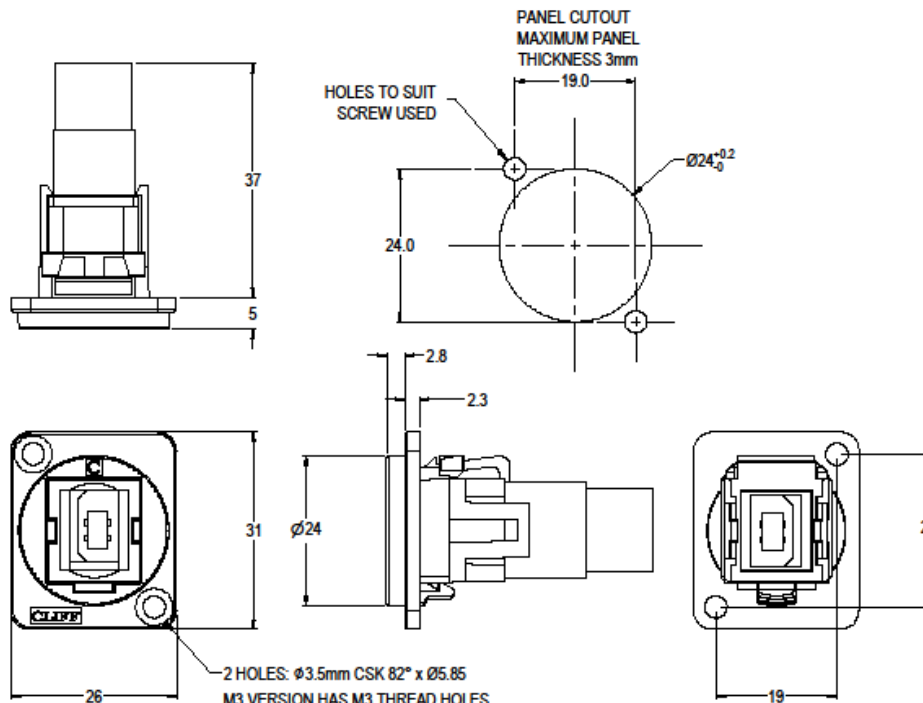


Datasheet

# RS PRO USB2.0 B-B METAL M3 FEEDTHROUGH CONNECTOR

Stock No: 2035567



- Material:
1. Insert: ABS
  2. Frame: Nickel or Black plated zinc diecast
  3. Shell: Nickel plated steel
  4. Contacts: Gold Plated

- Notes:
1. Voltage rating: 30V AC
  2. Current rating: 1.5A max
  3. Contact resistance: 50mΩ max
  4. Insulation resistance: 20MΩ min
  5. Dielectric withstanding voltage: 500V AC
  6. Operating Temperature: -20°C to 50°C

## Features & Benefits:

- Fits standard XLR Ø24mm cutout.
- No soldering or punch termination. Use standard cable for each connector style.
- Front or rear mounted.
- Low rear profile

## General:

**Please note: Functionality is affected by cable quality, length and cable wiring configuration.**



[rspro.com](http://rspro.com)

