

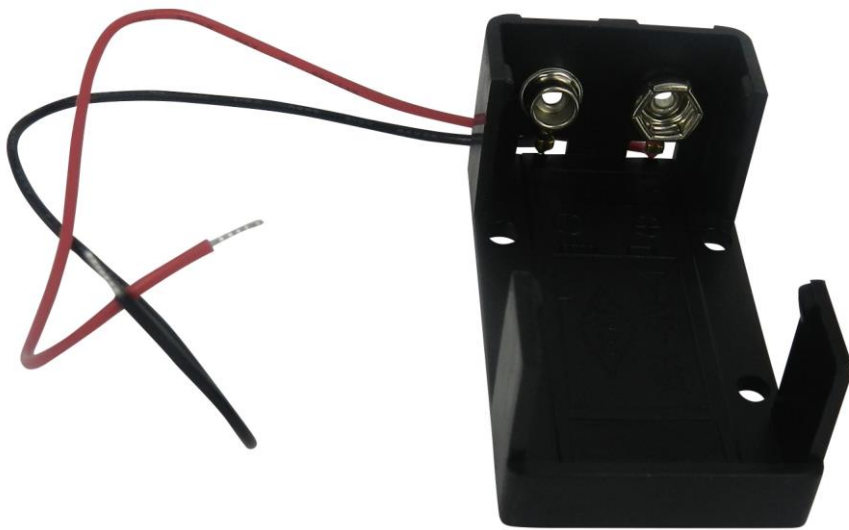


ENGLISH

Datasheet

RS Article:1854754

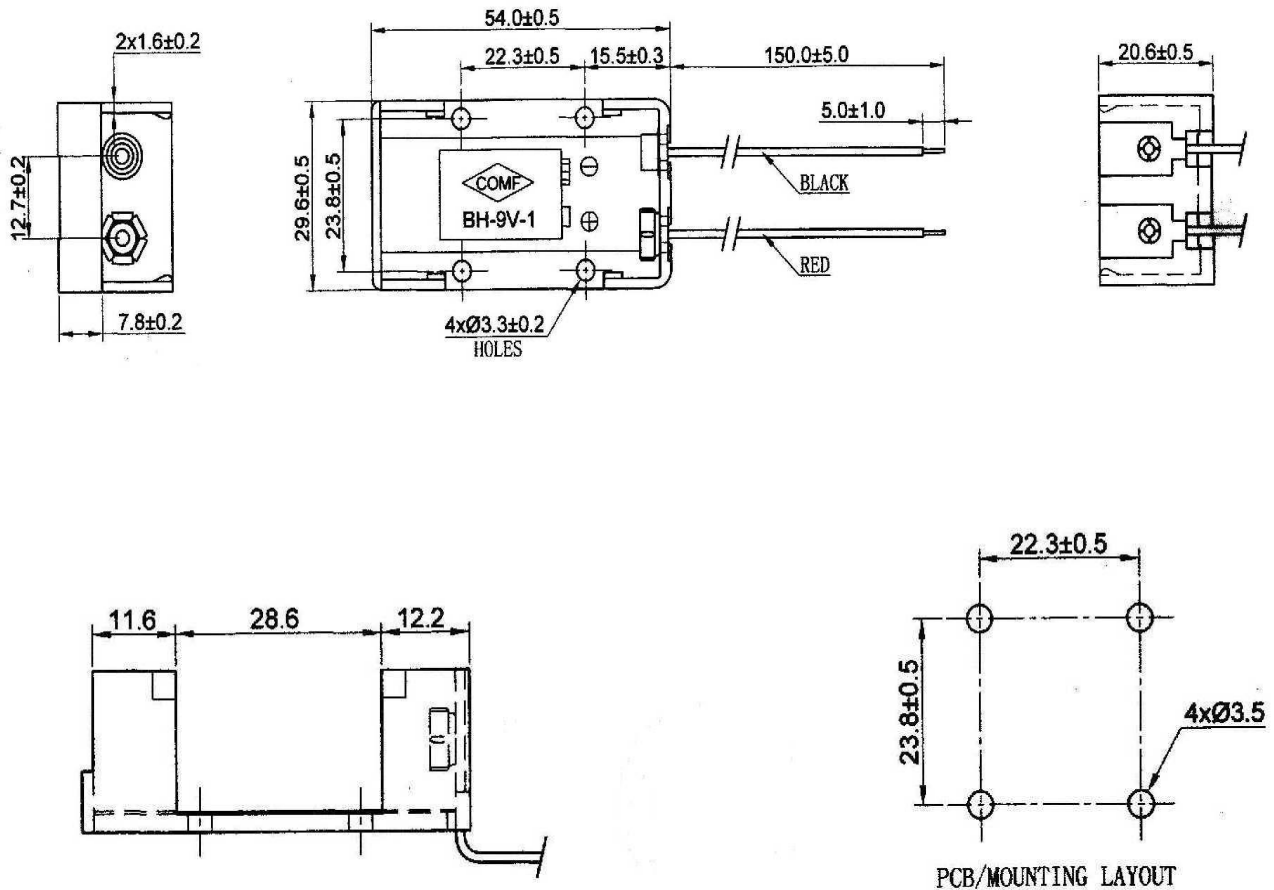
# RS Pro Battery Holder



## 1. Preface:

The purpose of this product specification is to dimension and drawing

# 9V with Lead wire 150mm



## SPECIFICATION

- (1) ITEM NO. : 1854754
- (2) WIRE: UL1007 AWG #26  
BLACK & RED:  $150\text{MM} \pm 5\text{MM}$   
STRIP & TIN:  $5\text{MM} \pm 1\text{MM}$
- (3) HOLDER MATERIAL: NYLON RESIN, BLACK COLOR
- (4) WITH 6 PRONG SNAP TERMINAL, BRASS NICKEL PLATED
- (5) RIVET MATERIAL: BRASS NICKEL PLATED
- (6) RoHS COMPLIANT

Measure: mm