



ENGLISH

Datasheet

Panel Screw Mount

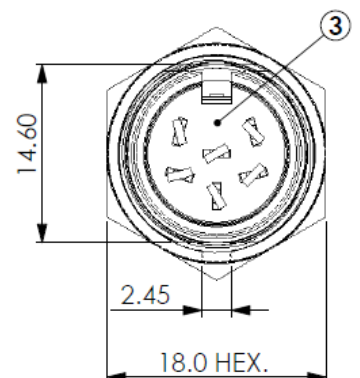
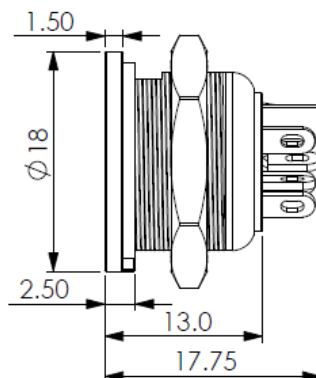
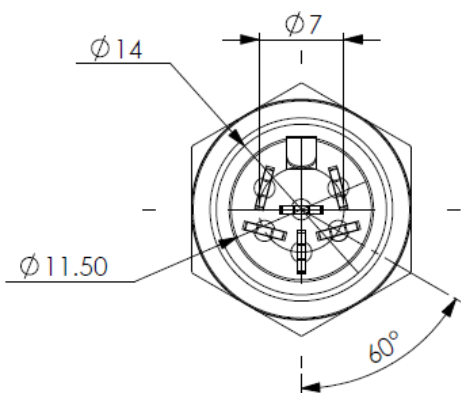
RS Stock number 490-933

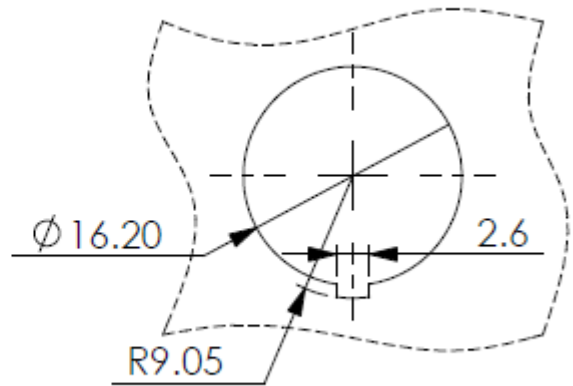
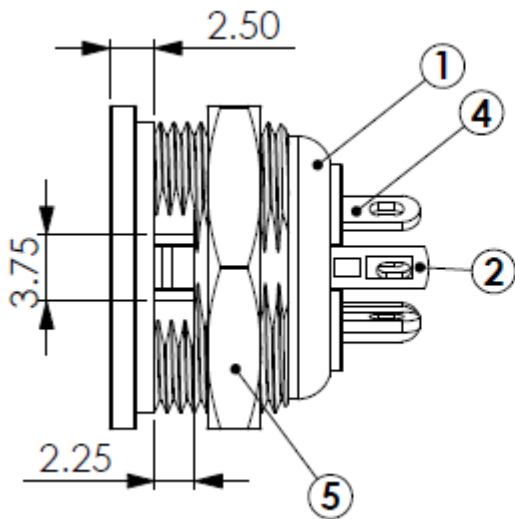


Specifications:

Rating:	100V AC 4A max.
Contact Resistance:	Pins-30m Ω max; shell-50m Ω max.
Insulation Resistance:	100M Ω min. at 500V DC
Voltage Withstand:	250V AC R.M.S for 1 minute

Dimensions(mm)





Through Hole Dimension

No.	Description	Material	Treat
1	Shield Cover	Zn Alloy	Chrome Ptd.
2	Negative Contact	Copper	Nickel Ptd.
3	6P Housing	ABS	
4	Terminals	Brass	Silver Ptd.
5	Screw Nut	Brass	Nickel Ptd.