

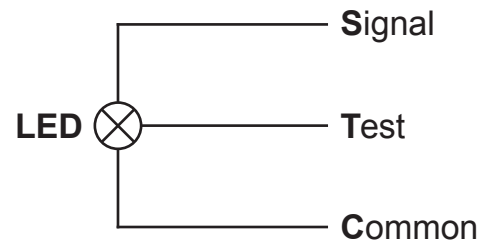
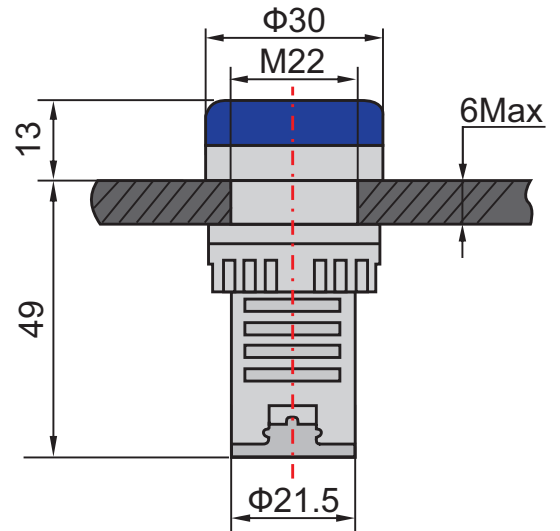
Datasheet

LED Indicator 22mm Blue 230Vac Test Circuit

RS Stock Number: 909-2499



Representative of range



Technical Specification

| | |
|---------------------------------------|--------------------------|
| Colour | Blue |
| Nominal Voltage (V_n) | 230V ac |
| Operating Voltage Range | $V_n \pm 15\%$ |
| Frequency (ac) | 50 - 60Hz |
| Insulation Resistance | $\geq 2M\Omega$ |
| Insulation Withstand | 2.5kVac, 1 minute |
| Current Draw | $\leq 20mA$ |
| IP Rating (from front, panel mounted) | IP65 |
| Brightness | $\geq 60 \text{ cd/m}^3$ |
| Operational Life | 30,000 hours |
| Relative Humidity | $\leq 98\%$ |
| Operating Temperature Range | -25°C to +55°C |