

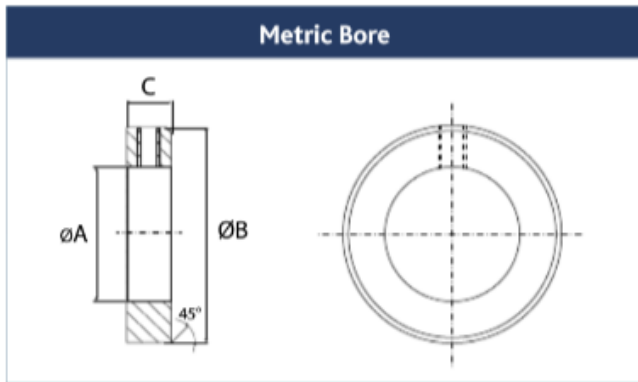


Datasheet

RS PRO Metric Bore Shaft Collars in Steel

Stock number: 182-8016, 182-8018, 182-8019, 182-8020, 182-8021, 182-8022

EN



Tolerances (mm)	
Diameter A (4mm – 13mm)	+ 0.01mm / + 0.06mm
Diameter A (14mm – 70mm)	+ 0.01mm / + 0.08mm
Diameter B	+ 0.127 / – 0.000mm
Length C	+ 0.12mm / – 0.12mm

- Industry standard
- Interchangeable
- Common type
- Anti-corrosion finish

Type CABU in Steel En8 Zinc plated Supplied with setscrew(s)				
RS Article no.	Bore A	Diameter B	Width C	Setscrew D
1828016	11	20	10	M5
1828018	13	22	12	M6
1828019	17	28	12	M6
1828020	19	32	14	M6
1828021	26	45	16	M8
1828022	36	56	16	M8

