

Datasheet

## RS Pro Wire Terminal Filament Indicator Lamp, Clear, 28 V, 20 mA, 10000h

RS Stock No: **360-7935**



### Product Details

RS Pro wire terminal filament indicator lamp works with currents up to 20 mA and voltages up to 28 V. This clear light delivers 0.63 lumens of bright output with a lifetime of 10000 hours.

### Features and Benefits

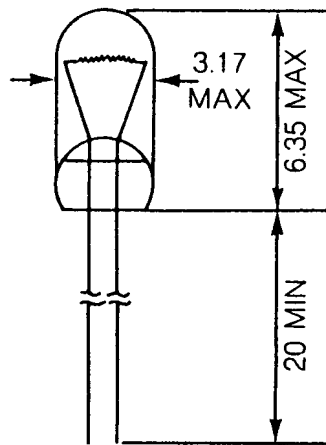
- Clear light
- 0.63 lumens output
- 10000 hours lifetime



**Specifications:**

Current Rating	20 mA
Diameter	3.17 mm
Lamp Base	Wire Terminal
Lamp Size	T1
Length	6.35 mm
Lens Colour	Clear
Life Hours	10000 h
Luminosity	0.63 lm
Voltage Rating	28 V

*DRAWING - I*



Unit : mm

1. Structure	Bulb Diameter	3.17mm Max.
	Length	6.35mm Max.
	Base Type	Wire Terminal
2. Design Characteristics	Voltage	28V
	Amperage	20mA ± 10%
	Filament Type	CC-2F
		Vacuum type
	MSCP	0.05 CP ± 20%
Life Hours	10000 Hrs	