

## FEATURES

- 4, 5 and 8-way Variants
- Insulation Resistance  $\geq 100 \text{ M}\Omega$
- Neoprene O-Ring
- SS coupling nut

# RS PRO M12 FEMALE STRAIGHT USER-WIRE 4 PIN PG7 WITH SS COUPLING BODY SCREW TERMINALS

RS Stock No.: 2080557



RS Professionally Approved Products bring to you professional quality parts across all product categories. Our product range has been tested by engineers and provides a comparable quality to

the leading brands without paying a premium price.

## Product Description ATTRIBUTE 1

### M12 female cable connector

The re-wireable circular connectors have a threaded mating mechanism with A coding, preventing incorrect mating. Along with an IP67 ingress rating. This connectors are best suited to environments that demand a more rugged connector solution.

#### Features and Benefits:

- 4, 5 and 8-way Variants
- Insulation Resistance  $\geq 100 \text{ M}\Omega$
- Neoprene O-Ring
- Re-Wireable –no special tooling required
- SS coupling nut

## General Specifications

Rated Operational Voltage	250 V
Current Rating	4A
Insulation Resistance	$\geq 100 \text{ M}\Omega$
Temperature Range	-25°C ... +75°C
Coding	A-Coded

## Material Specifications

Grip Material	Nylon 66
Contact	Cu-Zn
Contact Plating	Gold Flash
Contact Carrier	Nylon 66
O-Ring	Neoprene
Grip Color	Black
Termination	Screw Type
Pole	4
Cable Gland	3.5 - 6 mm (PG7)
Coupling Nut	SS Coupling

## Protection Category

Degree of Protection	IP67
----------------------	------

## Additional Information

Custom Tariff Number	85369090
----------------------	----------

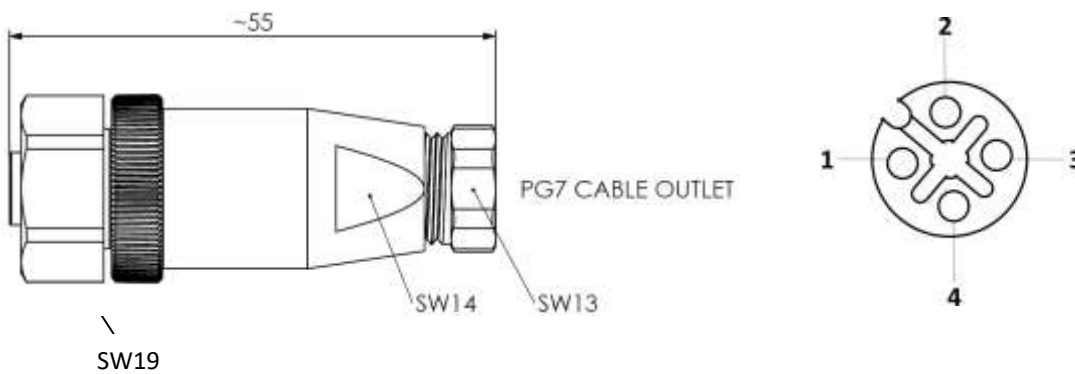
## Approvals

Standards Met	IEC 61076-2-101
---------------	-----------------

## Similar Products

Stock No.	Brand	Product Name	Attribute 1	Attribute 2
186-3099	RS PRO	RS Pro M12 User Wire Connector 4 Pin	Industrial Automation Cable Assemblies	Actuator/Sensor Cable
877-1101	RS PRO	RS Pro M12 User Wire Connector 5 Pin	Industrial Automation Cable Assemblies	Actuator/Sensor Cable

## Connection Diagrams / Assembly Diagrams / Illustrations / Accessories



All Dimensions are in mm.